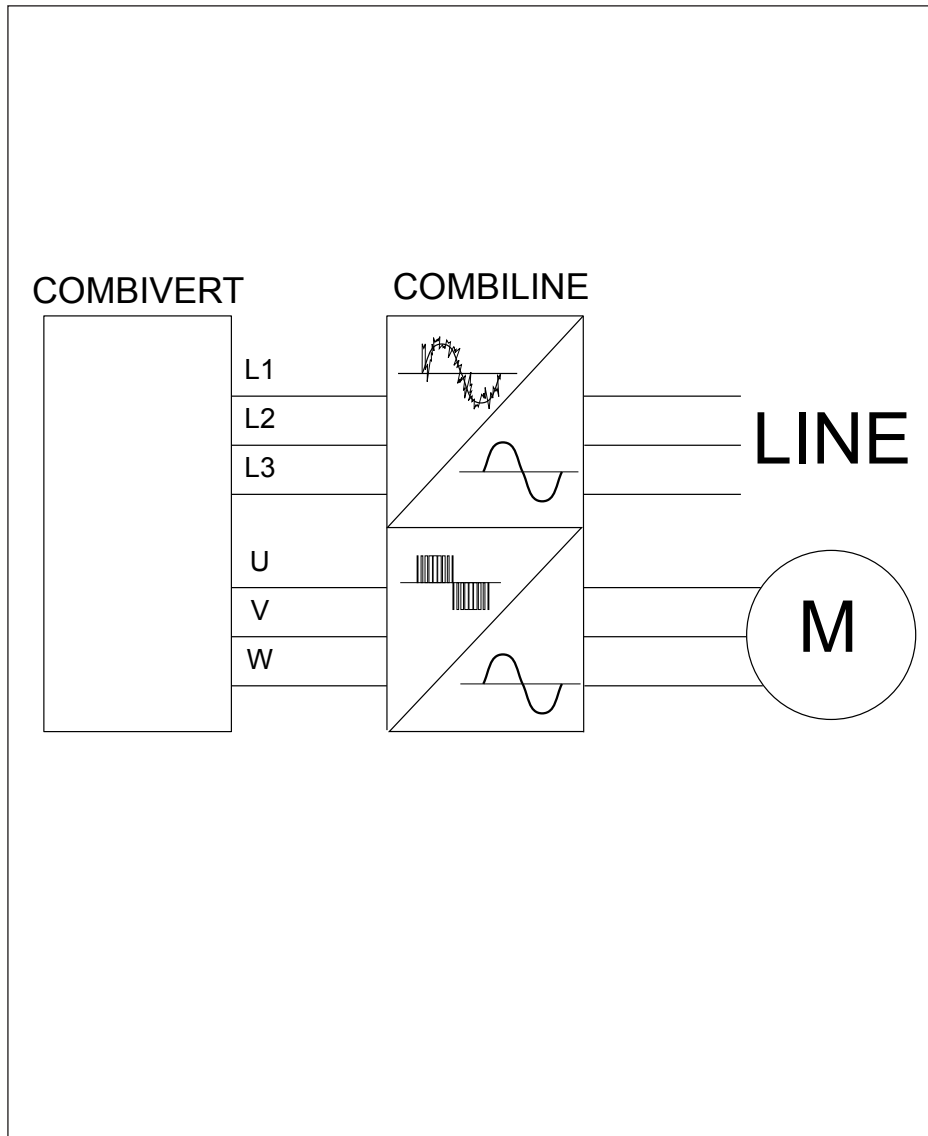


COMBIVERT



GB INSTRUCTION MANUAL

IO-Filter

Mat.No.	Rev.
16E53EE-K310	1B

KEB



1. Safety

1.1 About this Instruction Manual

Prior to performing any work on the unit the user must familiarize himself with the unit. This includes especially the knowledge and observance of the **safety and warning directions**. The pictographs used in this Instruction Manual have following meaning:



Danger Refers to danger of life by electric current.



Warning Refers to possible danger of injury or life.



Note Refers to tips and additional information.

1.2 Validity

The information contained in the technical documentation, as well as any user-specific advice in spoken and written and through tests, are made to best of our knowledge and information about the application. However, they are considered for information only without responsibility. This also applies to any violation of industrial property rights of a third-party.

Inspection of our units in view of their suitability for the intended use must be done generally by the user. Inspections are particularly necessary, if changes are executed, which serve for the further development or adaption of our products to the applications (hardware, software or download lists). Inspections must be repeated completely, even if only parts of hardware, software or download lists are modified.



Controlling by the user Application and use of our units in the target products is outside of our control and therefore lies exclusively in the area of responsibility of the user.



Use under special conditions The used semiconductors and components of KEB are developed and dimensioned for the use in industrial products. If the KEB COMBIVERT is used in machines, which work under exceptional conditions or if essential functions, life-supporting measures or an extraordinary safety step must be fulfilled, the necessary reliability and security must be ensured by the machine builder.

1.3 Qualification

All work from the transport, to installation and initial operation as well as maintenance may only be done by qualified personnel (IEC 364 and/or CENELEC HD 384 and IEC-Report 664 and note national safety regulations). According to this manual qualified staff means those who are able to recognise and judge the possible dangers based on their technical training and experience and those with knowledge of the relevant standards and who are familiar with the field of power transmission (VDE 0100, EN 50178, EN 60204 as well as the appropriate regulations for your area).



Danger by high voltage KEB electronics components contain dangerous voltages which can cause death or serious injury. In operation, drive converters, depending on their degree of protection, may have live, uninsulated, and possibly also moving and hot surfaces. In case of inadmissible removal of the required covers, of improper use, wrong installation or maloperation, there is the danger of serious personal injury and damage to property.



Attention The filter will be destroyed, if the dc link circuit (terminal block +, -) is not connected.

IO-Filter

1.4 Use as directed

I/O-filters combine a line-side HF-filter and a motor-side dv/dt-filter in one compact unit. The compact mechanical installation with pre-wired lines permits a space-saving installation with inverters of the COMBIVERT F5 series as submounted version as well as side-mounted version (generally).

The part of the input filter which is dimensioned with high damping at low leakage current reduces the cable-based disturbances to limit value B. A passive output dv/dt-filter with choke serves for a limitation of the dv/dt at the output.

I/O filters are designed for operation at line lengths over 30 m upto 100 m and protect connected motors against inadmissible high voltage rise as well as inadmissible high peak voltages. By this way they protect the lifetime of the winding isolation of the motor. This is especially reasonable in case of re-designs, i.e. operation of old motors at frequency inverters.

1.5 Conformity

The IO-filter meets the requirements of the Low-Voltage-Directive 2006/95/EG as well as the the requirements in accordance with the EMC directive 2004/108/EG.

1.6 Product description

Unit type:	IO-filter
Series:	E5
Construction:	Sub-mounted for F5 housing size E
Other features:	Listing: CE f = 0,15...30MHz

2. Technical Data

2.1 General

Part number		16E5T60-10G1
Type of protection	–	IP20
Climatic category	3K3	extended to T _{max} = 45°C
Weight	[kg]	4,0
Interference grade according to EN 61800-3		C1

2.2 Input filter

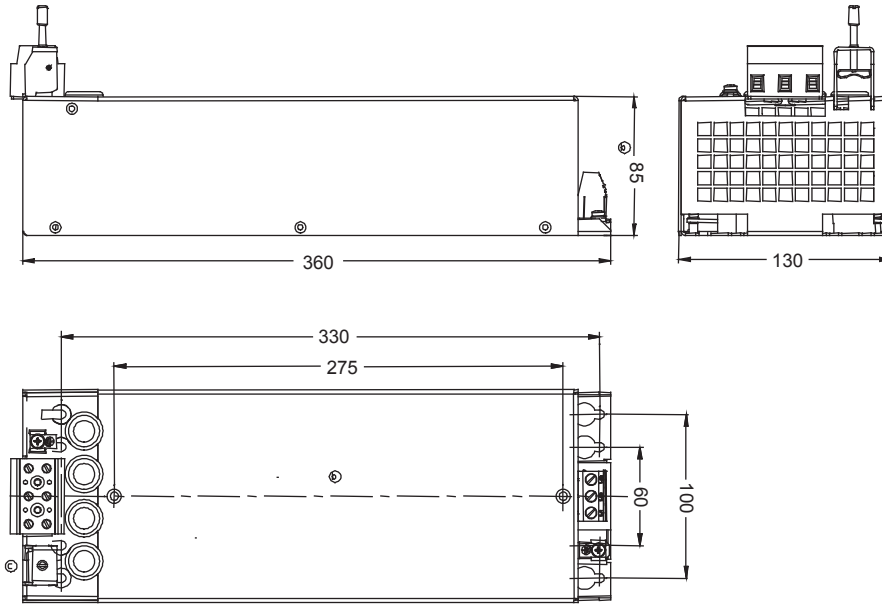
Input rated voltage	[VAC]	3 x 400/480 ± 10 %
Mains frequency	[Hz]	50/60 ± 2
Input rated current I _N at T _{max}	[A]	42
Power loss at I _N	[W]	34
Leakage current (one phase to PE)	[mA]	13

2.3 Output filter

Input rated voltage	[VAC]	3 x 400/480 ± 10 %
Motor rated power	[kW]	15
Maximum output frequency	[Hz]	200
Output rated current I _A at T _{max}	[A]	33
Maximum inverter switching frequency	[kHz]	4
Maximum motor line length (shielded)	[m]	Limit value class C1 = 2x50 / C3 = 2x100
Maximum rate of voltage rise (du/dt)	[V/μs]	500
Power loss at I _A and f _N	[W]	72
Voltage drop at I _A , f _N	[V]	13,2

2.4 Dimensions

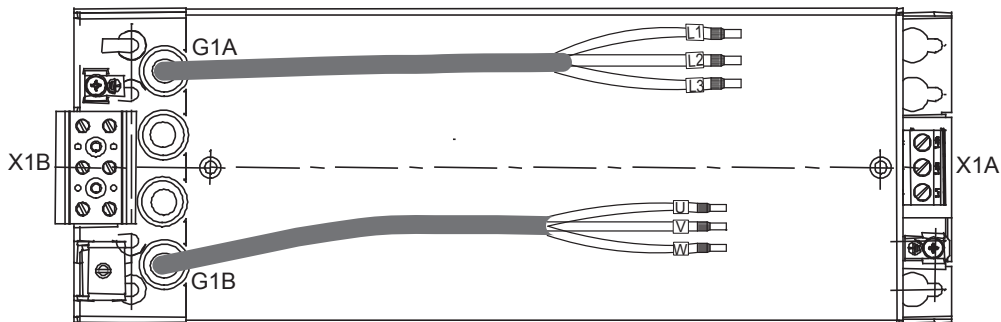
Picture 2.4 Dimensions 16E5T60-10G1



Mounting material for the installation of the KEB COMBIVERT onto the filter:
 2 pieces M6x16 (9905071-616K) for KEB COMBIVERT or
 2 pieces M6x20 (9905071-620K) for KEB COMBIVERT with braking resistor

2.5 Description of the connections

Picture 2.5 Connections 16E5T60-10G1



Terminals / cable		Name	Connection
X1A	L1, L2, L3	HF-filter input	Mains supply
	PE		Ground terminal
G1A	L1, L2, L3	HF-filter output	Connection at the mains input of the inverter
G1B	U, V, W	du/dt-filter input	Connection at the motor output of the inverter
X1B	U', V', W'	du/dt-filter output	Motor connection

IO-Filter

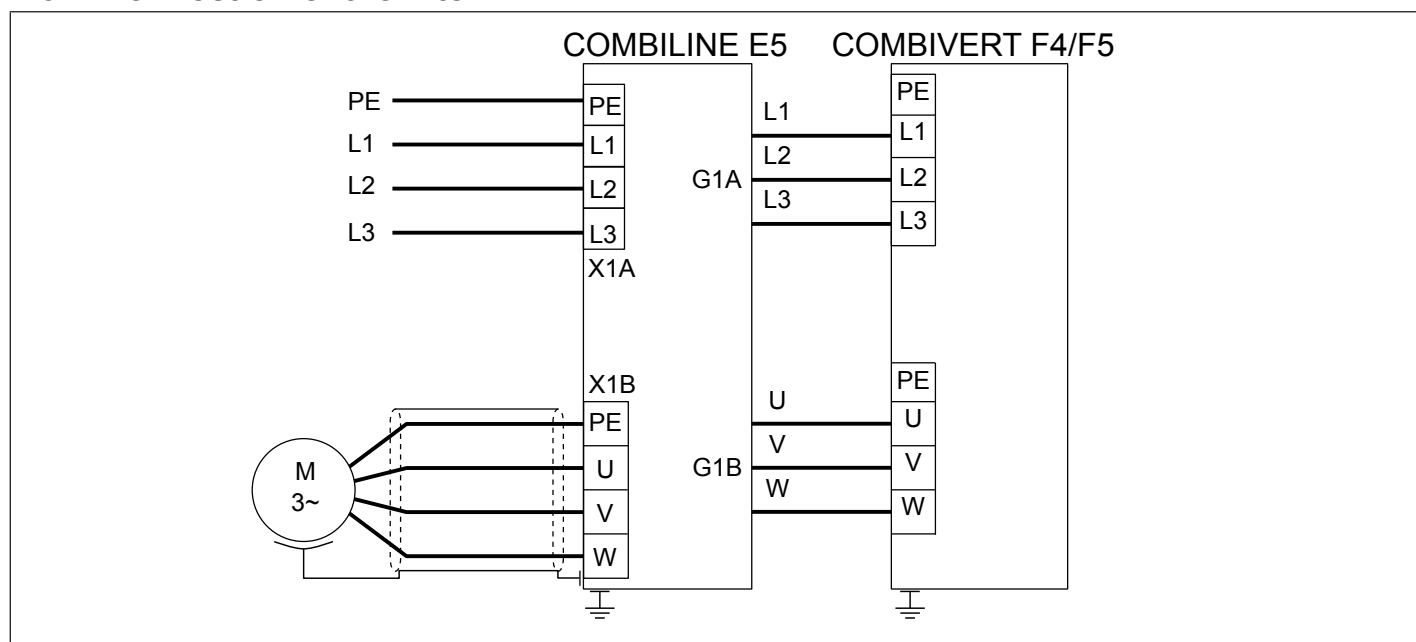
2.5.1 Permissible cable cross-sections of the connection terminals

Terminals	permissible cross-section flexible with wire-end ferrule				Tightening torque	
	mm ²		AWG/MCM		Nm	inch
	min	max	min	max		
X1A	0,5	10	20	7	1,2	10
X1B	0,5	16	20	6	1,8	16
PE	Stud M6					

2.5.2 Description of the connection cable

Cable	Name	Color	Core cross-section	
			mm ²	AWG/MCM
G1A	L1	black	6	10
	L2			
	L3			
G1B	U			
	V			
	W			

2.6 Connection of the filter





KEB Automation KG

Südstraße 38 • D-32683 Barntrup
fon: +49 5263 401-0 • fax: +49 5263 401-116
net: www.keb.de • mail: info@keb.de

KEB worldwide...

KEB Antriebstechnik Austria GmbH

Ritzstraße 8 • A-4614 Marchtrenk
fon: +43 7243 53586-0 • fax: +43 7243 53586-21
net: www.keb.at • mail: info@keb.at

KEB Antriebstechnik

Herenveld 2 • B-9500 Geraadsbergen
fon: +32 5443 7860 • fax: +32 5443 7898
mail: vb.belgien@keb.de

KEB Power Transmission Technology (Shanghai) Co.,Ltd.

No. 435 Qianpu Road, Chedun Town, Songjiang District,
CHN-Shanghai 201611, P.R. China
fon: +86 21 37746688 • fax: +86 21 37746600
net: www.keb.cn • mail: info@keb.cn

KEB Antriebstechnik Austria GmbH

Organizační složka
K. Weise 1675/5 • CZ-370 04 České Budějovice
fon: +420 387 699 111 • fax: +420 387 699 119
net: www.keb.cz • mail: info.keb@seznam.cz

KEB Antriebstechnik GmbH

Wildbacher Str. 5 • D-08289 Schneeberg
fon: +49 3772 67-0 • fax: +49 3772 67-281
mail: info@keb-drive.de

KEB España

C/ Mitjter, Nave 8 - Pol. Ind. LA MASIA
E-08798 Sant Cugat Sesgarrigues (Barcelona)
fon: +34 93 897 0268 • fax: +34 93 899 2035
mail: vb.espana@keb.de

Société Française KEB

Z.I. de la Croix St. Nicolas • 14, rue Gustave Eiffel
F-94510 LA QUEUE EN BRIE
fon: +33 1 49620101 • fax: +33 1 45767495
net: www.keb.fr • mail: info@keb.fr

KEB (UK) Ltd.

6 Chieftain Business Park, Morris Close
Park Farm, Wellingborough GB-Northants, NN8 6 XF
fon: +44 1933 402220 • fax: +44 1933 400724
net: www.keb-uk.co.uk • mail: info@keb-uk.co.uk

KEB Italia S.r.l.

Via Newton, 2 • I-20019 Settimo Milanese (Milano)
fon: +39 02 33535311 • fax: +39 02 33500790
net: www.keb.it • mail: kebitalia@keb.it

KEB Japan Ltd.

15-16, 2-Chome, Takanawa Minato-ku
J-Tokyo 108-0074
fon: +81 33 445-8515 • fax: +81 33 445-8215
mail: info@keb.jp

KEB Korea Seoul

Room 1709, 415 Missy 2000
725 Su Seo Dong, Gang Nam Gu
ROK-135-757 Seoul/South Korea
fon: +82 2 6253 6771 • fax: +82 2 6253 6770
mail: vb.korea@keb.de

KEB RUS Ltd.

Lesnaya Str. House 30, Dzerzhinsky (MO)
RUS-140091 Moscow region
fon: +7 495 550 8367 • fax: +7 495 632 0217
net: www.keb.ru • mail: info@keb.ru

KEB Sverige

Box 265 (Bergavägen 19)
S-43093 Hälsö
fon: +46 31 961520 • fax: +46 31 961124
mail: vb.schweden@keb.de

KEB America, Inc.

5100 Valley Industrial Blvd. South
USA-Shakopee, MN 55379
fon: +1 952 224-1400 • fax: +1 952 224-1499
net: www.kebamerica.com • mail: info@kebamerica.com

More and newest addresses at <http://www.keb.de>

© KEB	
Mat.No.	16E53EE-K310
Rev.	1B
Date	10/2016