

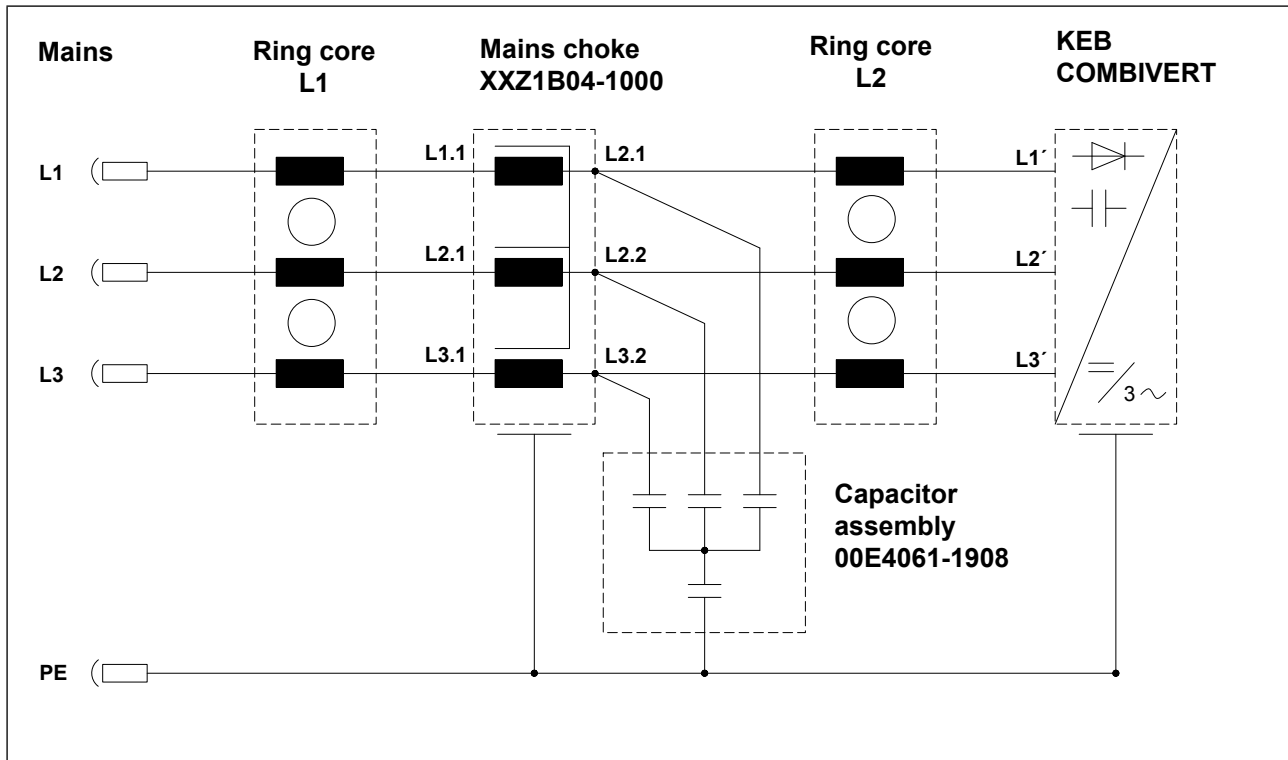
## NHF Filter

Interference suppression degree C3 according to 61800-3. Mains choke 4%UK.

Unit size	Housing size	Rated motor power [kW]	Cable cross-section [mm <sup>2</sup> ]	Mains choke	Capacitor assembly	„High Performance“ Ring core		Ring core size [mm]
						L1	L2	
20	F5-H / F6-4	37	35	20Z1B04-1000	00E4061-1908	0090363-4000	70/45/30	
21	F5-R / F6-4	45	50	21Z1B04-1000				
22	F5-R / F6-4	50		22Z1B04-1000				
23	F5-R / F6-6	75	95	23Z1B04-1000		0090366-6000	85/57/35	
24	F5-R / F6-6	90		24Z1B04-1000				
25	F5-U	110		25Z1B04-1000				
26	F5-U	132	120	26Z1B04-1000		0090366-7000	110/74/35	
27	F5-U	160	150	27Z1B04-1000		0090366-8000	142/95/37	
28	F5-U	200	2x95	28Z1B04-1000		0090396-9000	174/117/38	
29	F5-U	250	2x120	29Z1B04-1000				
30	F5-P	315	2x150	30Z1B04-1000				

# Technical Information

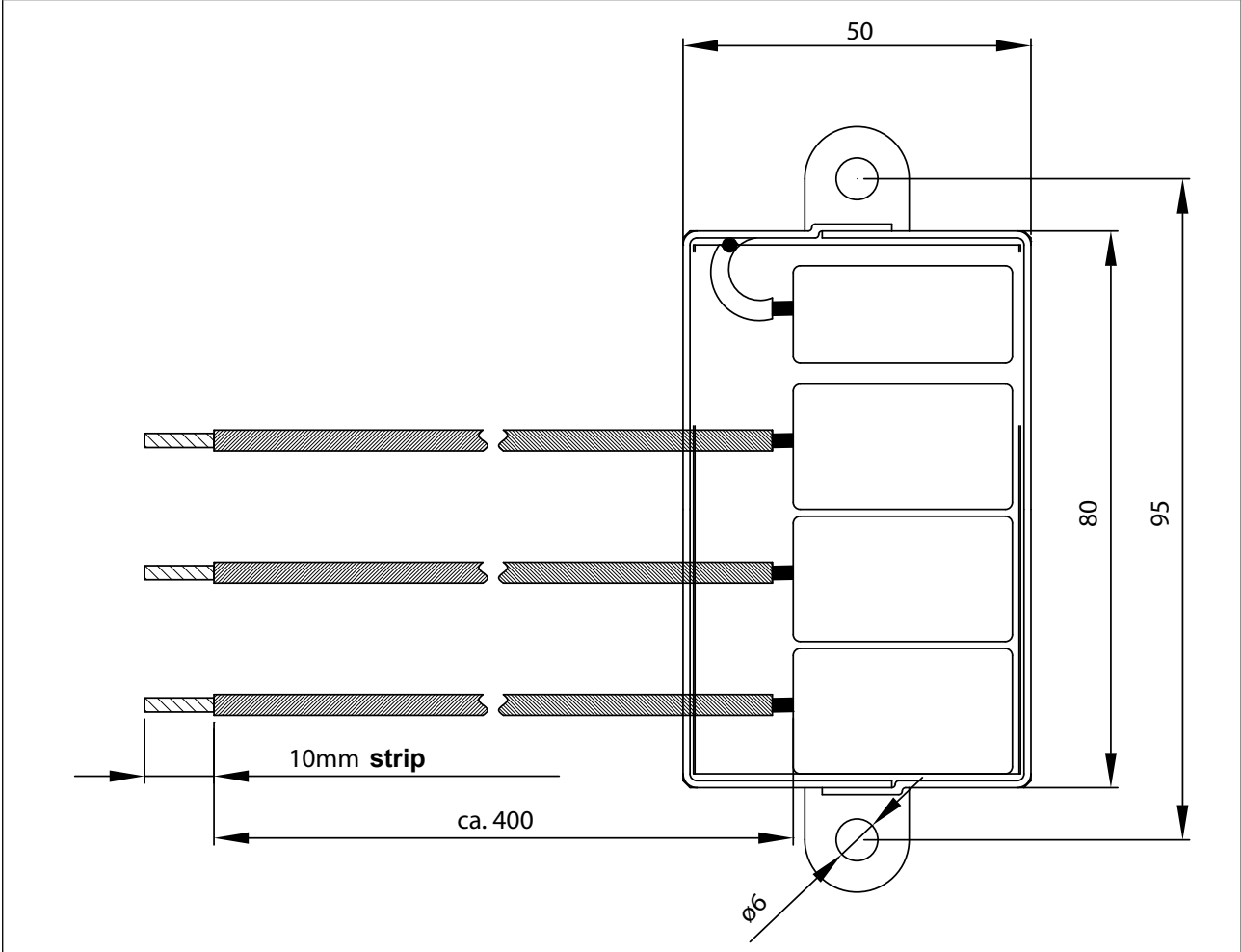
## Circuit Principle



Put the phases (L1 / L2 / L3) each through a "high performance" ring core, lay the PE cable outside the core. Insert ring core L1 in front of the mains choke and ring core L2 in front of the frequency inverter. Connect the capacitor assembly directly to the mains choke (output side)!

**Dimensions**

Capacitor assembly 00E4061-1908.

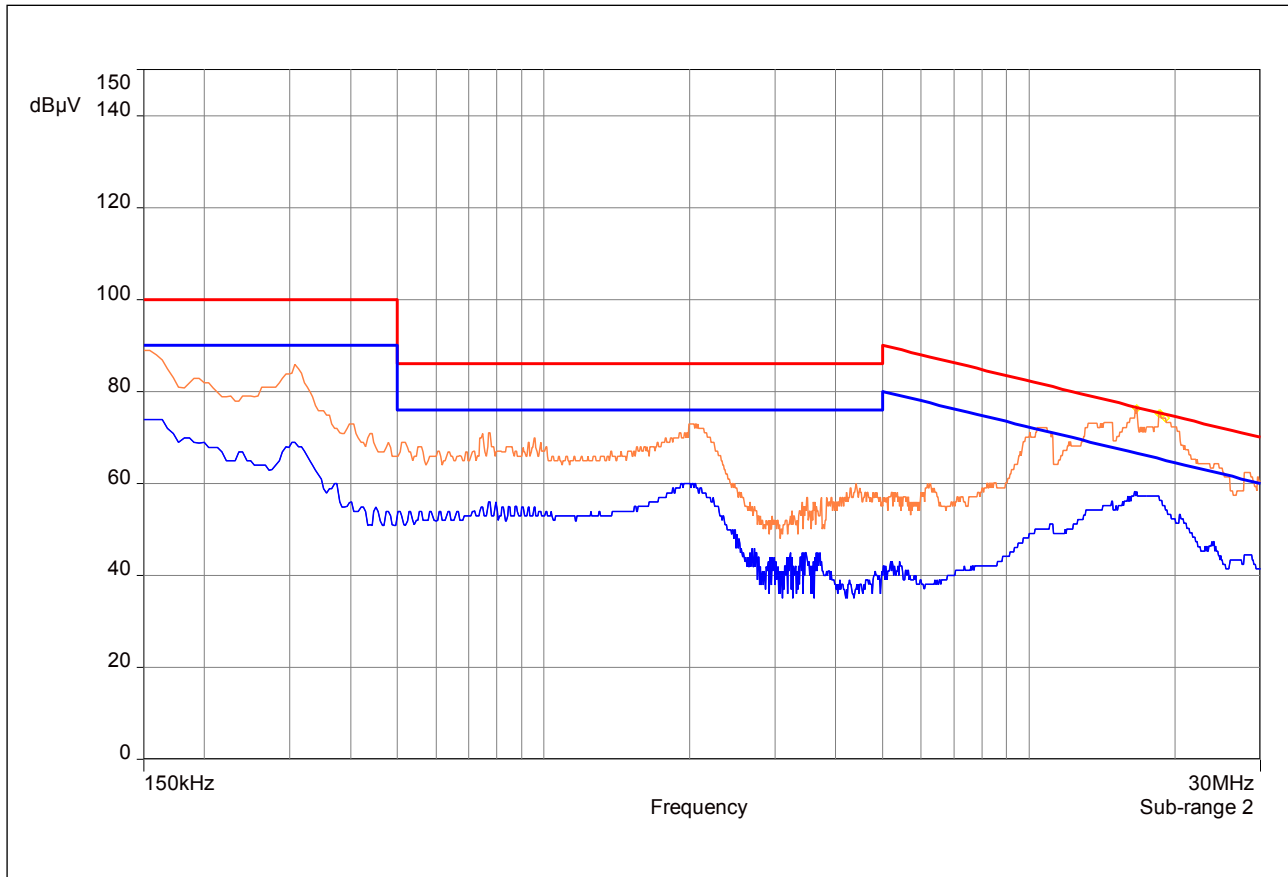


Connect the stranded wires as short as possible to the mains choke!

# Technical Information

## Measuring curve

Measured with a 22 kW KEB asynchronous motor with 10 m motor cable.



### KEB Automation KG

Südstraße 38 • 32683 Barntrup  
fon: +49 5263 401-0 • fax: +49 5263 401-116  
net: [www.keb.de](http://www.keb.de) • mail: [info@keb.de](mailto:info@keb.de)

© KEB	
Document	0402-0002
Language	GBR
Date	03-2017