

1. Sub-mounted Filter for KEB COMBIVERT F5 Housing Size D

1.1 Product description and technical data Housing Size B

Size	Construction				Phases / voltage	Rated current	UL current	Power loss	Weight	for COMBIVERT F5
07E5T60-	0	0	6	1	1x240V	12A	8A	5W	0.9kg	05...07.F5 230V 1~
10E5T60-	0	0	0	1	1x240V	22A	20A	20W	0.9kg	09...10.F5 230V 1~
	0	0	6	1						
10E5T60-	1	0	0	1	3x480V	8A	5.3A	7W	1.3kg	05...10.F5 230V 3~ 05...10.F5 400V 3~
	1	0	5	1						
	1	0	6	1						
	1	0	F	1						
12E5T60-	1	0	0	1	3x480V	16A	9.5A	11.5W	1.3kg	12.F5 400V 3~
	1	0	5	1		16A				
	1	0	6	1		14A				
	1	0	F	1		16A				
	N	0	F	1						
	1	9	B	1						
					Version	0	first version			
						1	second version etc.			
					max. line length [m]					
					Construction	0	HF input filter			30
						5	IT system compatible filter (resistance disconnection)			30
						6	Leakage current < 30 mA			10
						B	Delta mains filter			-
						F	IT system comp. filter (resistance disconnection, low leakage current)			10
					Limit value class [EN61800-3]	0	Limit value C1 (previous B)			
						9	without setting			
						A	Limit value C2 (previous A)			
					Voltage class	0	240V			
						1	480V			
						A...Z	Customer version			

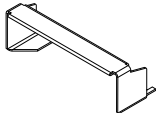



•	maximum surrounding temperature 45°C
•	use only copper cable 60/75°C
•	designed for environments with pollution degree 2
•	climatic category 3K3

1.2 Product description and technical data Housing Size D

Size	Construction				Phases / voltage	Rated current	UL current	Power loss	Weight	for COMBIVERT F5
10E5T60-	0	0	0	2	1x240V	22A	20A	20W	0.9kg	09...10.F5 230V 1~
	0	0	6	2						
10E5T60-	0	0	5	1	3x240V	16A	13.5A	11.5W	1.3kg	09...10.F5 230V 3~
10E5T60-	1	0	0	2	3x480V	8A	5.3A	7W	1.3kg	09...10.F5 400V 3~
	1	0	5	2						
	1	0	6	2						
	1	0	F	2						
12E5T60-	0	0	5	1	3x240V	22A	21A	16W	1.5kg	12.F5 230V 3~
13E5T60-	1	0	0	1	3x480V	16A	12.1A	11.5W	1.3kg	12...13.F5 400V 3~
	1	0	5	1						
	1	0	6	1						
	1	0	F	1						
	1	9	B	1						
14E5T60-	1	0	0	1	3x480V	22A	15.4A	16W	1.5kg	14.F5. 400V 3~
	1	0	5	1						
	1	0	6	1						
	1	0	F	2						
	1	9	B	1						
					Version	0	first version			
						1	second version etc.			
										max. line length [m]
					Construction	0	HF input filter			30
						5	IT system compatible filter (resistance disconnection)			30
						6	Leakage current < 30mA			10
						B	Delta mains filter			-
						F	IT system comp. filter (resistance disconnection, low leakage current)			10
					Limit value class [EN 61800-3]	0	Limit value C1 (previous B)			
						9	without setting			
						A	Limit value C2 (previous A)			
					Voltage class	0	240V			
						1	480V			
						A...Z	Customer version			

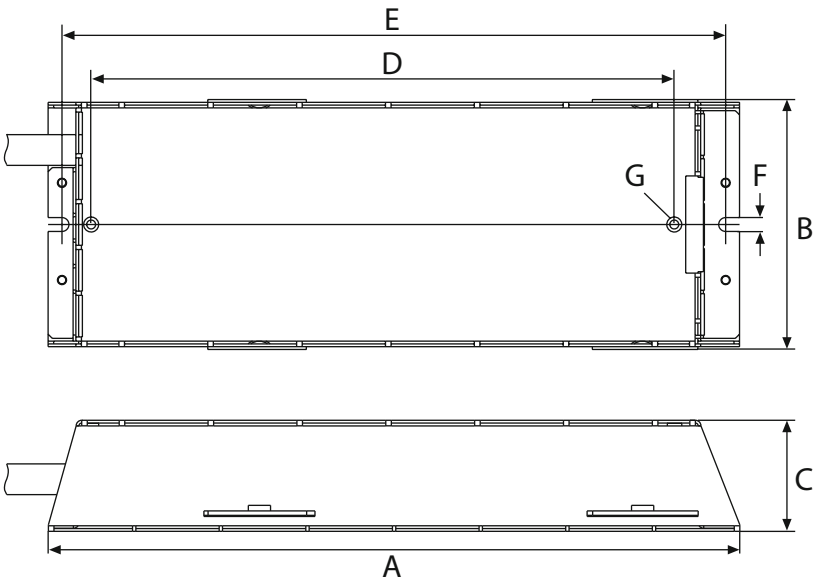
- maximum surrounding temperature 45°C
- use only copper cable 60/75°C
- designed for environments with pollution degree 2
- climatic category 3K3

1.3 Scope of supply

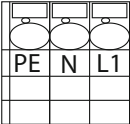
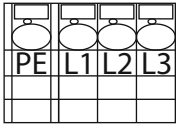
Number	Product	Part number	Use	View
1	Sub-mounted filter	see above	-	see next page
1	Shielding plate	B0F5T03-1009	Mounting at the inverter	
1	Shielding clamp 9 mm	0090T84-C009	Shielding of DC bus or temperature input	
1	Shielding clamp 14 mm	0090T84-C014	Shielding of motor cable	
2	Screw M4x12	9905071-412K	Mounting inverter/filter	
1	Installation instruction	00U50yD-K3xx	y for language xx for version	-

1.4 Dimensions

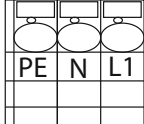
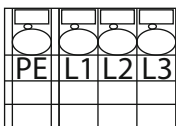
Character	Housing B	Housing D
A	249	285
B	90	90
C	40	50
GB	210	240
E	240	275
F	5	5
G	M4	M4
all dimensions in mm		



1.5 Connection elements for Housing Size B

Filter type	Input/output	Terminal/ cable	Color	Connection or cable cross- section	Tightening torque	Terminal view
Filter 1-phase	Input	PE	gn/ge	4 mm ²	-	
		N	blue			
		L1	grey			
	Output	N	blue	2 x 4 mm ²	-	-
L1		black				
Filter 3-phase	Input	PE	gr/ge	4 mm ²	-	
		L1	grey			
		L2	grey			
		L3	grey			
	Output	L1	black	3 x 2,5 mm ²	-	-
		L2	brown			
L3		purple				

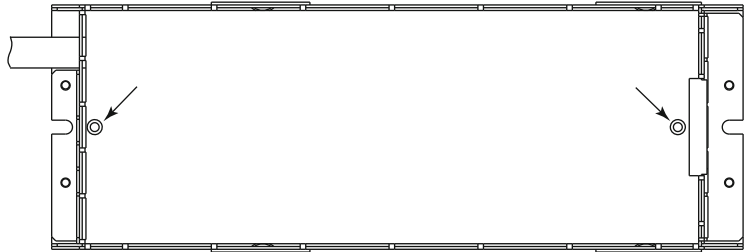
1.6 Connection elements for Housing Size D

Filter type	Input/output	Terminal/ cable	Color	Connection or cable cross- section	Tightening torque/ end of the cable	Terminal view
Filter 1-phase	Input	PE	gn/ge	4 mm ²	-	
		N	blue			
		L1	grey			
	Output	N	blue	4 mm ²	Wire-end ferrule	-
L1		black				
Filter 3-phase	Input	PE	gr/ge	4 mm ²	-	
		L1	grey			
		L2	grey			
		L3	grey			
	Output	L1	black	Betatherm (Size 10) 1.5 mm ² / AWG 16 (Size 13) 2.5 mm ² / AWG 14 (Size 14) 4 mm ² / AWG 12	Wire-end ferrule	-
		L2	brown			
L3		purple				

1.7 Assembly

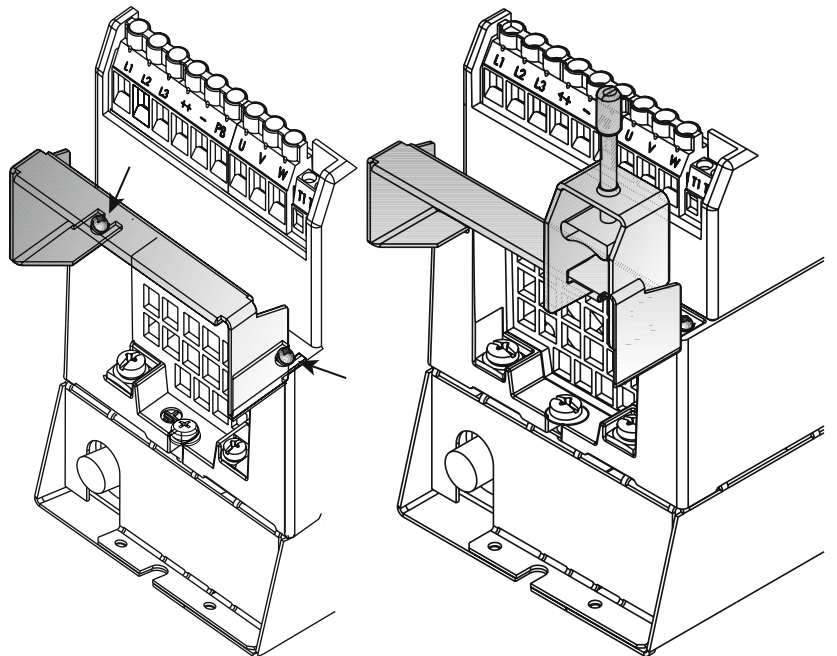
Mounting of the inverter onto the filter

- Attach inverter with terminal strip in direction of the cable
- Screw inverter with the provided screws M4x12 at the marked positions to the filter with 2.6 Nm



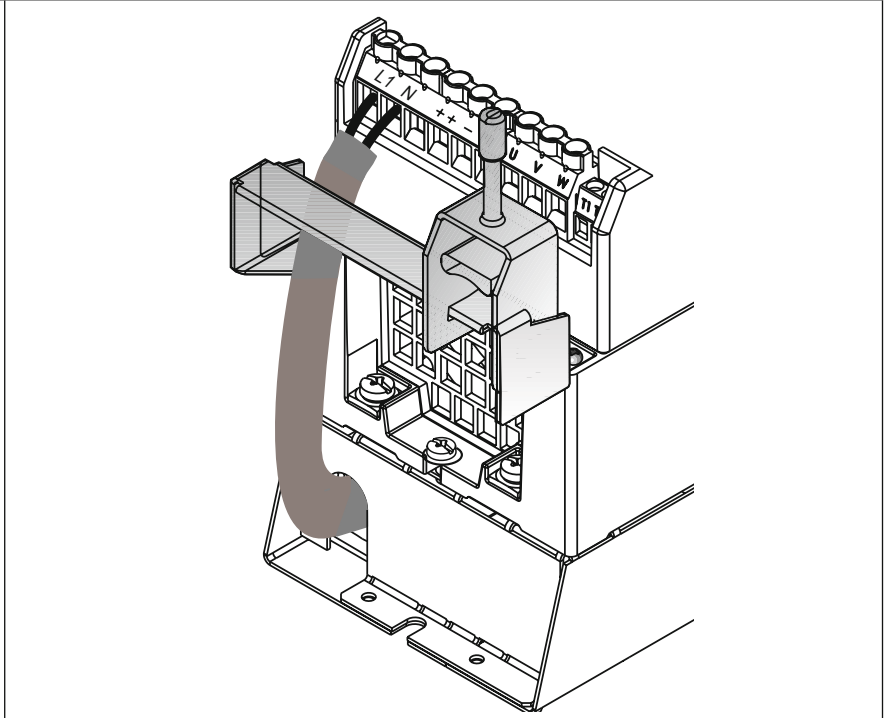
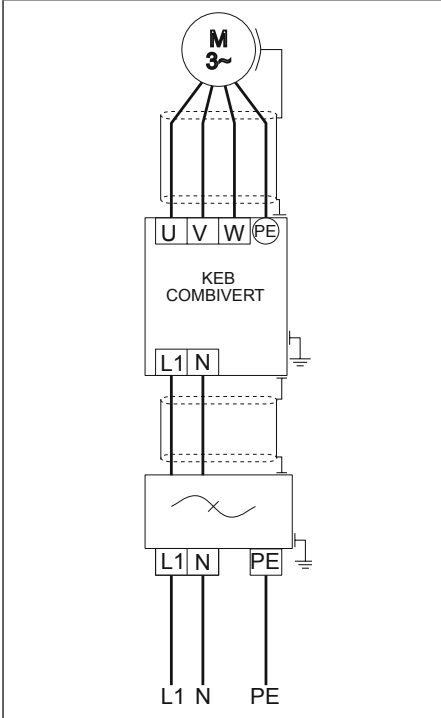
Mounting of the shielding plate at the inverter

- Unscrew marked screws
- Plug on shielding plate
- Tighten up screws with 1.3 Nm
- Plug on shielding clamp at shielding plate

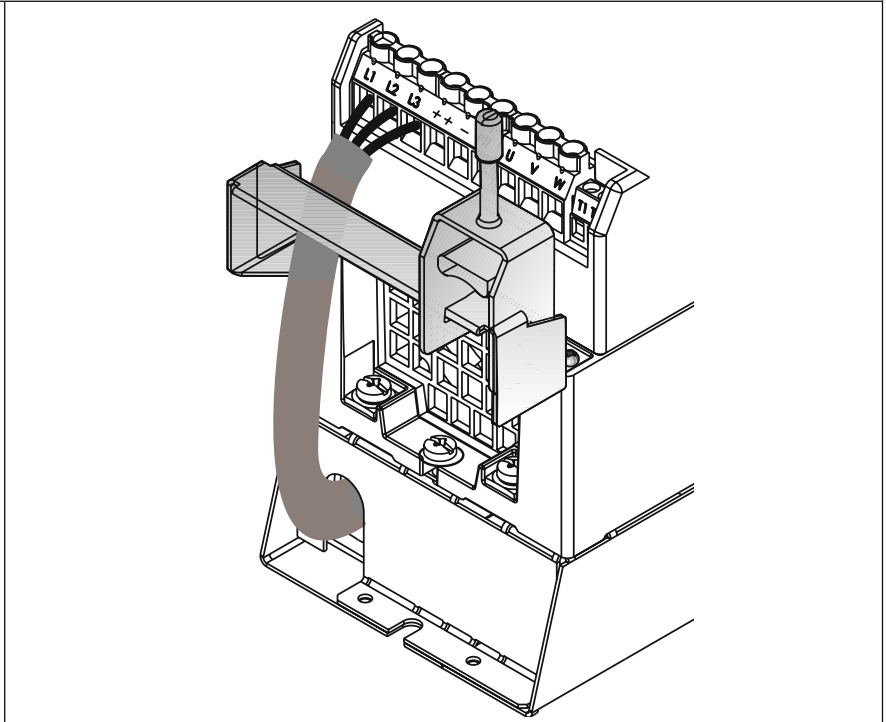
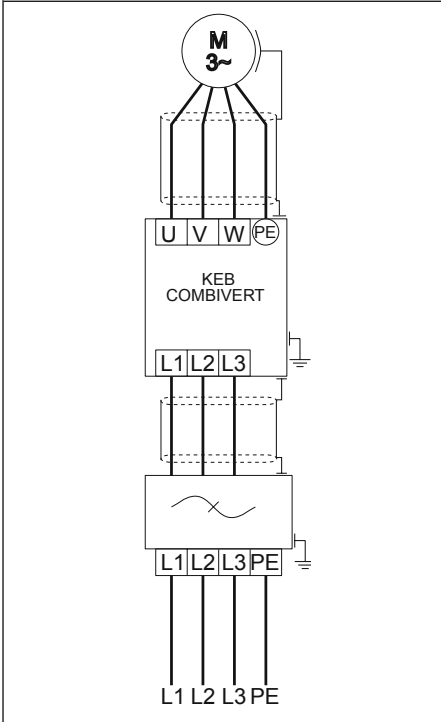


1.8 Electrical connection

1-phase connection



3-phase connection



KEB Automation KG
 Südstraße 38 • D - 32683 Barntrup
 Telefon 0 52 63 / 4 01 - 0 • Telefax 4 01 - 116
 Internet: www.keb.de • E-mail: info@keb.de

Mat.No.	00U50ED-K301
Rev.	1C
Date	10/2016