

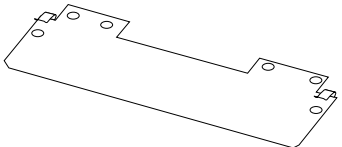
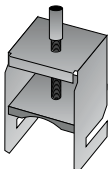

1. Sub-mounted Filter for KEB COMBIVERT F5 Housing Size H

1.1 Product description and technical data

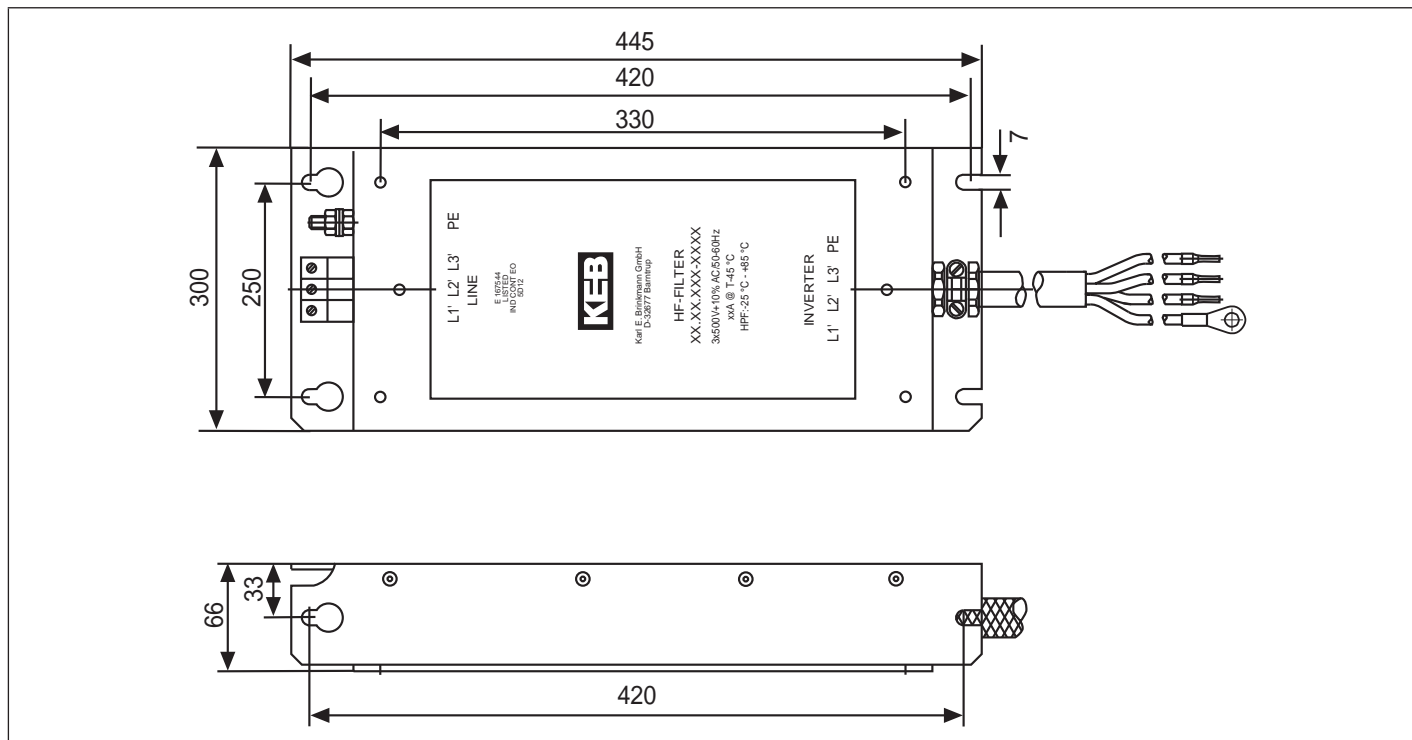
Size	Construction				Phases / voltage	Rated current	UL current	Power loss	Weight	for COMBIVERT F5	
18E5T60-	1	0	F	1	3x480 V	70A	52A	15W	5.1 kg	15.F5 230V 3~ 15...18.F5 400V 3~	
	1	0	0	2		65A		20W			
	1	0	F	3							
19E5T60-	1	0	0	1	3x480 V	90A	57A	26W	6 kg	16.F5 230V 3~ 19.F5 400V 3~	
	1	0	F	1				20W			
	1	0	F	2				26W			
	1	9	B	1							
20E5T60-	1	0	0	2	3x480 V	100A	72A	30W	5.5 kg	20.F5 400V 3~	
	1	0	6	1							
	1	0	F	1							6 kg
					Version	0	first version				
						1	second version etc.				
										max. line length [m]	
					Construction	0	HF input filter			30	
						6	Leakage current < 30 mA			10	
						B	Delta mains filter			-	
						F	IT system comp. filter (resistance disconnection, low leakage current)			10	
					Limit value class	0	Limit value C1 (previous B)				
						9	without setting				
						A	Limit value C2 (previous A)				
					Voltage class	0	240 V				
						1	480 V				
						A...Z	Customer version				

•	maximum ambient temperature 45°C
•	use only copper cable 60/75°C
•	designed for environments with pollution degree 2
•	climatic category 3K3



1.2 Scope of supply

Number	Product	Part number	Use	View
1	Sub-mounted filter	see above	-	see next page
1	Shielding plate	H0F5T03-1009	Mounting at the inverter	
2	Shielding clamp 28 mm	0090T84-P028	Shielding of motor cable and shielding of filter output	
4	Screw M4x8	9905073-410K	Mounting of the screening plate	
4	Screw M6x20	9905071-616K	Mounting inverter/filter	
1	Installation instruction	00U50yG-K3xx	y for language xx for version	-

1.3 Dimensions



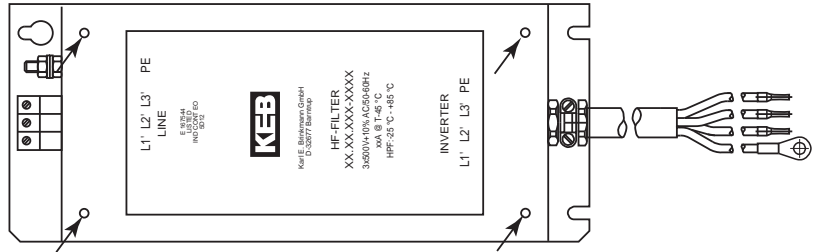
1.4 Connection elements

Filter type	Input/output	Terminal cable	Color	Connection or cable cross-section	Tightening torque/end of the cable	Terminal view
18/19.E5 3-phase	Input	PE	stud	M6	4.5 Nm 40 lb inch	
		L1	grey	10...25 mm ² AWG 10-2	4.5 Nm 40 lb inch	
		L2	grey			
	Output	PE	gn/ge	16 mm ² AWG6	Wire-end ferrule	-
		L1'	black			
		L2'	black			
20.E5 3-phase	Input	PE	stud	M6	4.5 Nm 40 lb inch	
		L1	grey	16...50 mm ² AWG 6-0	7 Nm 60 lb inch	
		L2	grey			
	Output	PE	-	Shielding	Ring thimble M8	-
		L1'	black	16 mm ² AWG25	Wire-end ferrule	
		L2'	black			
	L3'	black				

1.5 Assembly

Mounting of the inverter onto the filter

- Attach inverter with terminal strip in direction of the cable
- Screw inverter with the provided screws M6x20 at the marked positions to the filter with 4.5 Nm

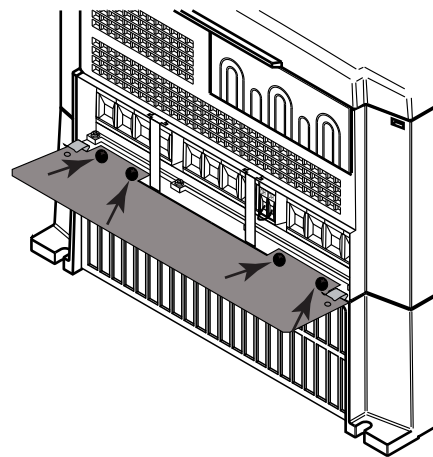


Mounting of the shielding plate at the inverter

Picture 1

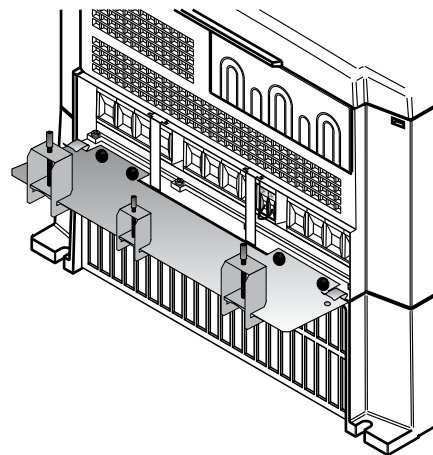
- Tighten screening plate at the marked positions with the screws M4x8 and 2.5Nm

Picture 1



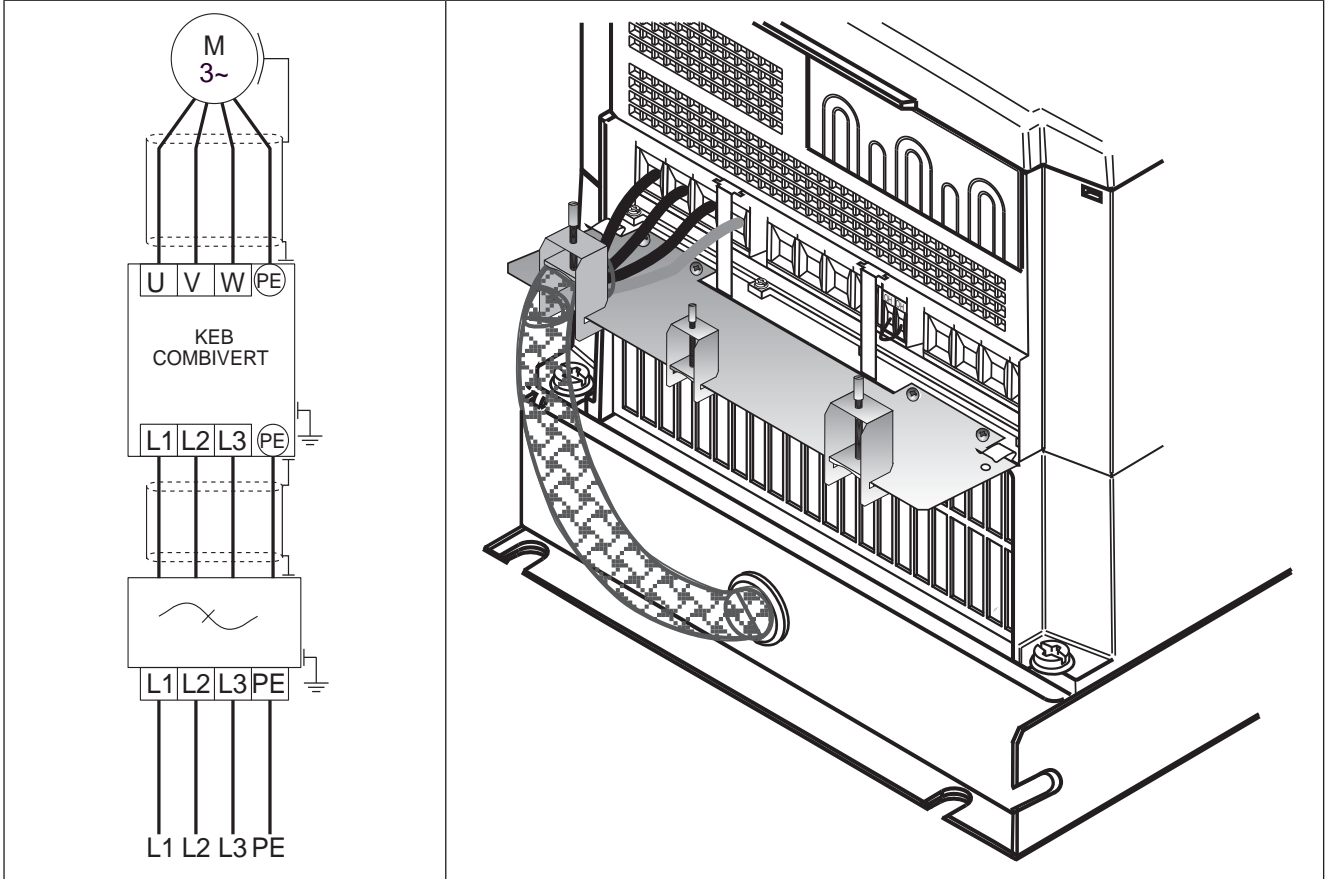
Picture 2

- Plug on shielding clamp at shielding plate



1.6 Electrical connection

3-phase connection



The ring thimble of the PE line must be removed at sub-mounted filter assembly for housing size H. A wire-end ferrule is set onto the cable end and connected to terminal PE.



KEB Automation KG
 Südstraße 38 • D - 32683 Barntrup
 Telefon 0 52 63 / 4 01 - 0 • Telefax 4 01 - 116
 Internet: www.keb.de • E-mail: info@keb.de

Mat.No.	00U50EH-K301
Rev.	1B
Date	10/2016