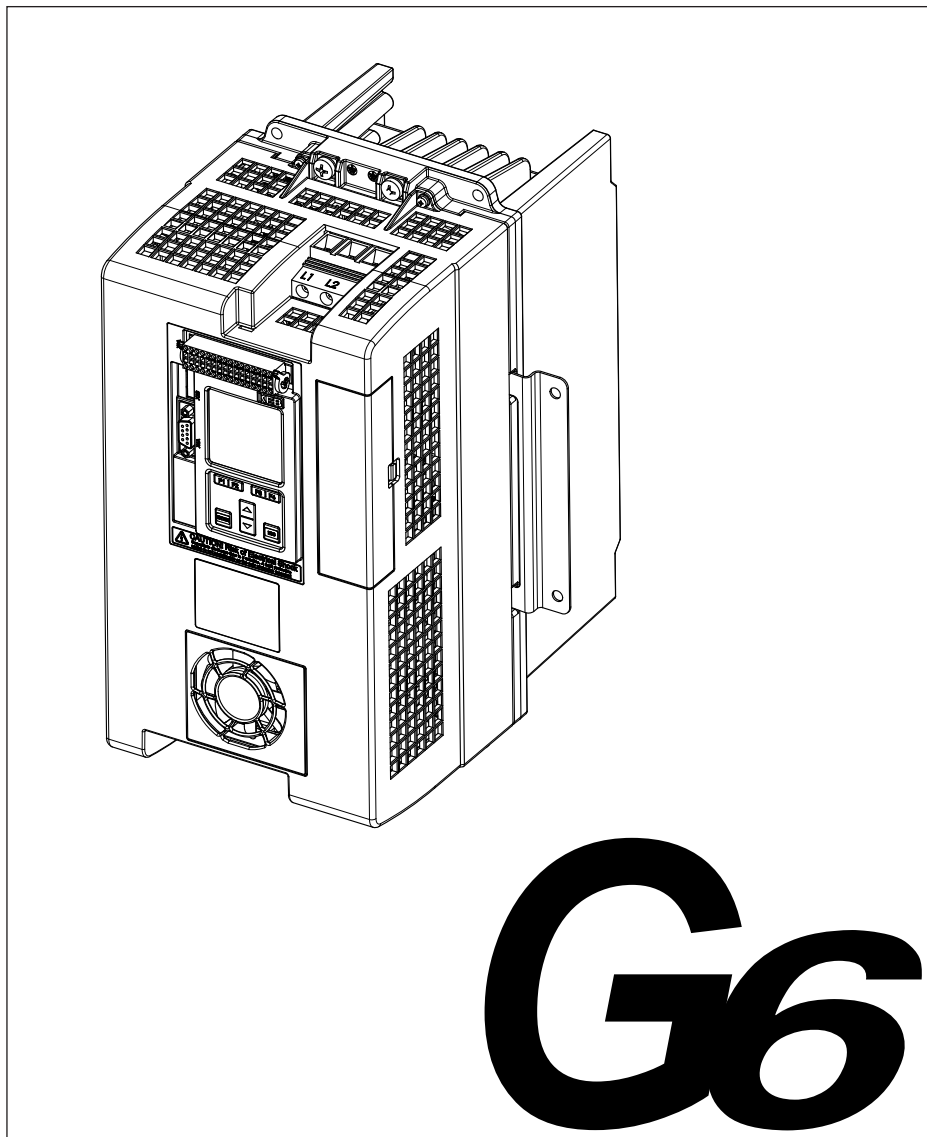


COMBIVERT



GB Mounting kit G6 housing E

E0G6T88-0002

Mat.No.	Rev.
00G6NEZ-0E01	1C

KEB

Table of Contents

1.	Preface.....	3
1.1	General	3
1.2	Validity and liability	3
1.3	Copyright.....	4
1.4	Specified Application	4
1.5	Product description.....	4
1.6	Scope of delivery mounting kit G6 housing E	5
2.	Dimensions through-mount version.....	6
2.1	Cabinet outcut.....	7
2.2	Insert the seal.....	8
2.3	Installation of the unit	8




1. Preface

1.1 General

First we would like to welcome you as a customer of the company Karl E. Brinkmann GmbH and congratulate to the purchase of this product. You have decided for a product on highest technical niveau.

The described hard- and software are developments of the Karl E. Brinkmann GmbH. The enclosed documents correspond to conditions valid at printing. Misprint, mistakes and technical changes reserved.

The instruction manual must be made available to the user. Prior to performing any work on the unit the user must familiarize himself with the unit. This especially applies to the knowledge and observance of the following safety and warning indications. The used pictograms have following significance:

	Danger Warning Caution	Is used when the life or health of the user is in danger or considerable damage to property can occur.
	Attention observe at all costs	Is used when a measure is necessary for safe and disturbance-free operation.
	Information Aid Tip	Is used, if a measure simplifies the handling or operation of the unit.

Non-observance of the safety instructions leads to the loss of any liability claims. This list is not exhaustive.

1.2 Validity and liability

The use of our units in the target products is outside of our control and therefore lies exclusively in the area of responsibility of the machine manufacturer.

The information contained in the technical documentation, as well as any user-specific advice in spoken and written and through tests, are made to best of our knowledge and information about the application. However, they are considered for information only without responsibility. This also applies to any violation of industrial property rights of a third-party.

Selection of our units in view of their suitability for the intended use must be done generally by the user.

Tests can only be done by the machine manufacturer in combination with the application. They must be repeated, even if only parts of hardware, software or the unit adjustment are modified.

Unauthorised opening and tampering may lead to bodily injury and property damage and may entail the loss of warranty rights. Original spare parts and authorized accessories by the manufacturer serve as security. The use of other parts excludes liability for the consequences arising out of.

The suspension of liability is also valid especially for operation interruption damages, loss of profit, data loss or other damages. This is also valid, if we referred first to the possibility of such damages.

If individual regulations should be futile, not effective or impracticable, then the effectivity of all other regulations or agreements is not affected by this.

1.3 Copyright

The customer may use the instruction manual as well as further documents or parts from it for internal purposes. Copyrights are with KEB and remain valid in its entirety. All rights reserved. KEB®, COMBIVERT®, KEB COMBICONTROL® and COMBIVIS® are registered trademarks of Karl E. Brinkmann GmbH.

Other wordmarks or/and logos are trademarks (TM) or registered trademarks (®) of their respective owners and are listed in the footnote on the first occurrence. When creating our documents we pay attention with the utmost care to the rights of third parties.

Should we have not marked a trademark or breach a copyright, please inform us in order to have the possibility of remedy.

1.4 Specified Application

The COMBIVERT G6 serves exclusively for the control and regulation of three-phase motors. The operation of other electric consumers is prohibited and can lead to the destruction of the unit. Inverter are components designed for inclusion in electrical installations or machinery. The used semiconductors and components of KEB are developed and dimensioned for the use in industrial products. If the KEB COMBIVERT F5 is used in machines, which work under exceptional conditions or if essential functions, life-supporting measures or an extraordinary safety step must be fulfilled, the necessary reliability and security must be ensured by the machine builder. The operation of our products outside the indicated limit values of the technical data leads to the loss of any liability claims.

1.5 Product description

The COMBIVERT G6 in E housing can be installed with this mounting kit as through-mount version in a control cabinet. The heat sink is put through a cutout in the rear-panel of the control cabinet and fixed with the retaining clips.



This supplement is only valid in connection with the unit specific installation manual.



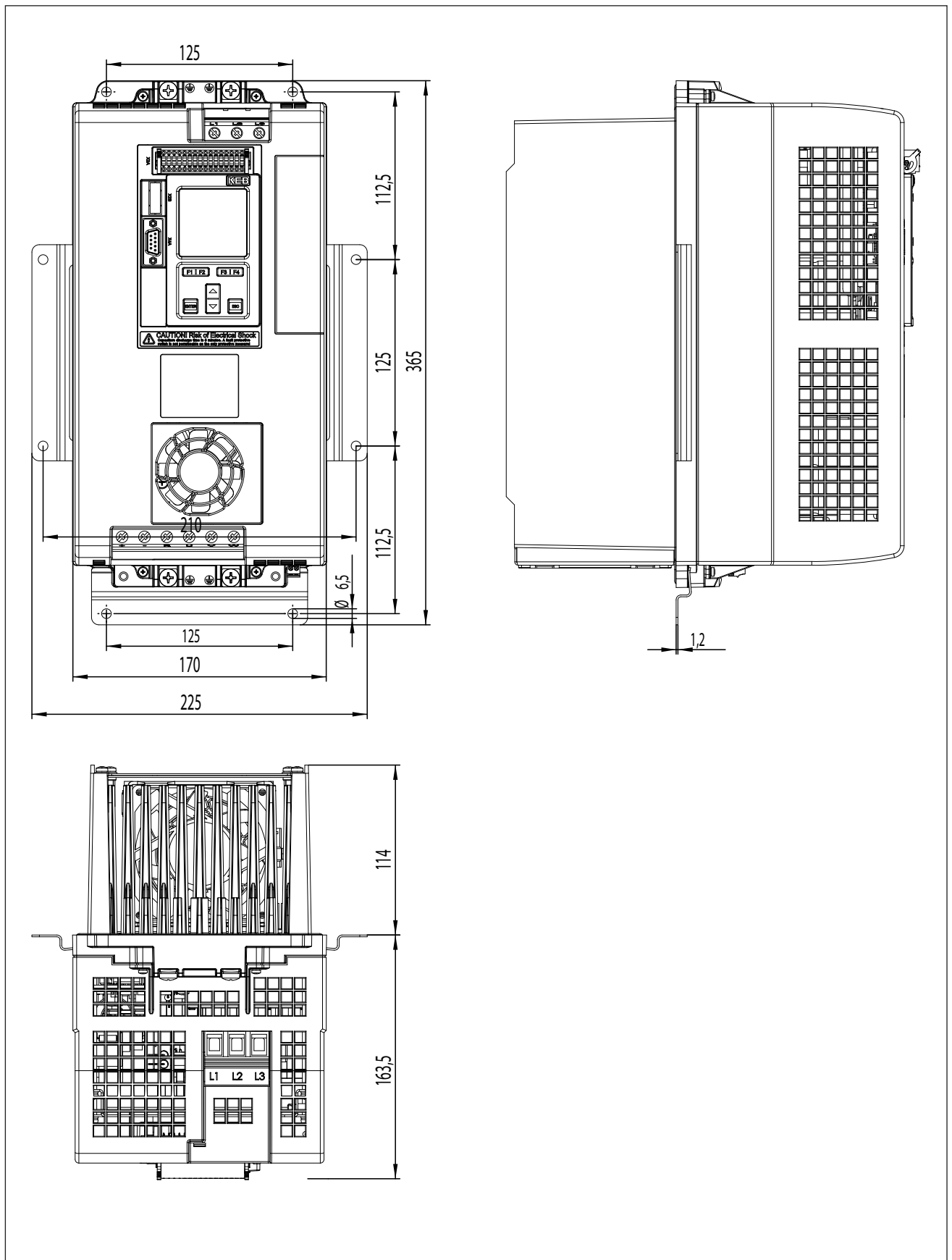
The UL acceptance expires when mounting standard units as through-mount version.

1.6 Scope of delivery mounting kit G6 housing E

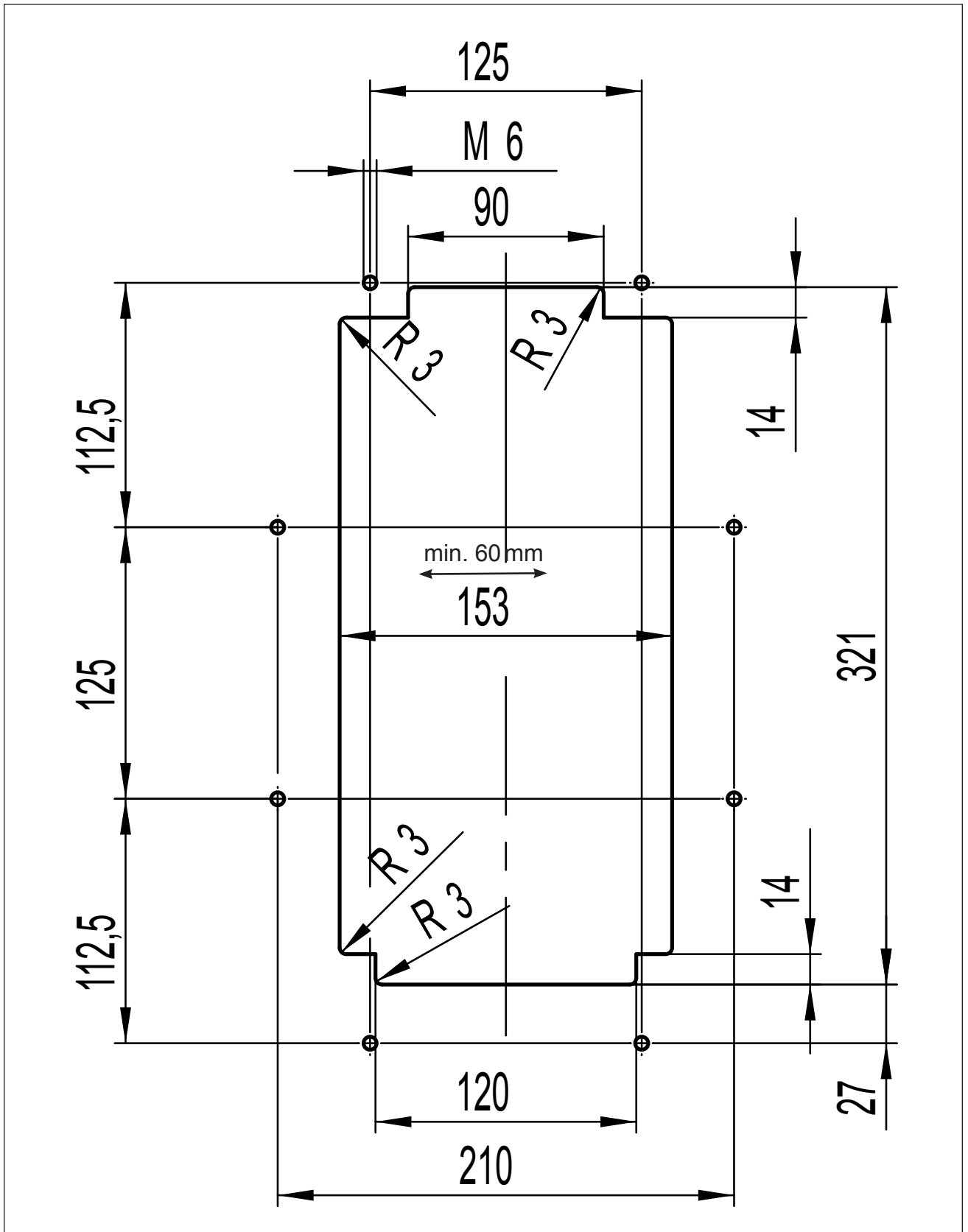
Number	Assembly set E0G6T88-0002 consists of	Material number
3	Clips	E0G6T61-0001
1	Seal	E0G6T45-0001

Mounting Kit G6 Housing E

2. Dimensions through-mount version



2.1 Cabinet outlet



Mounting Kit G6 Housing E

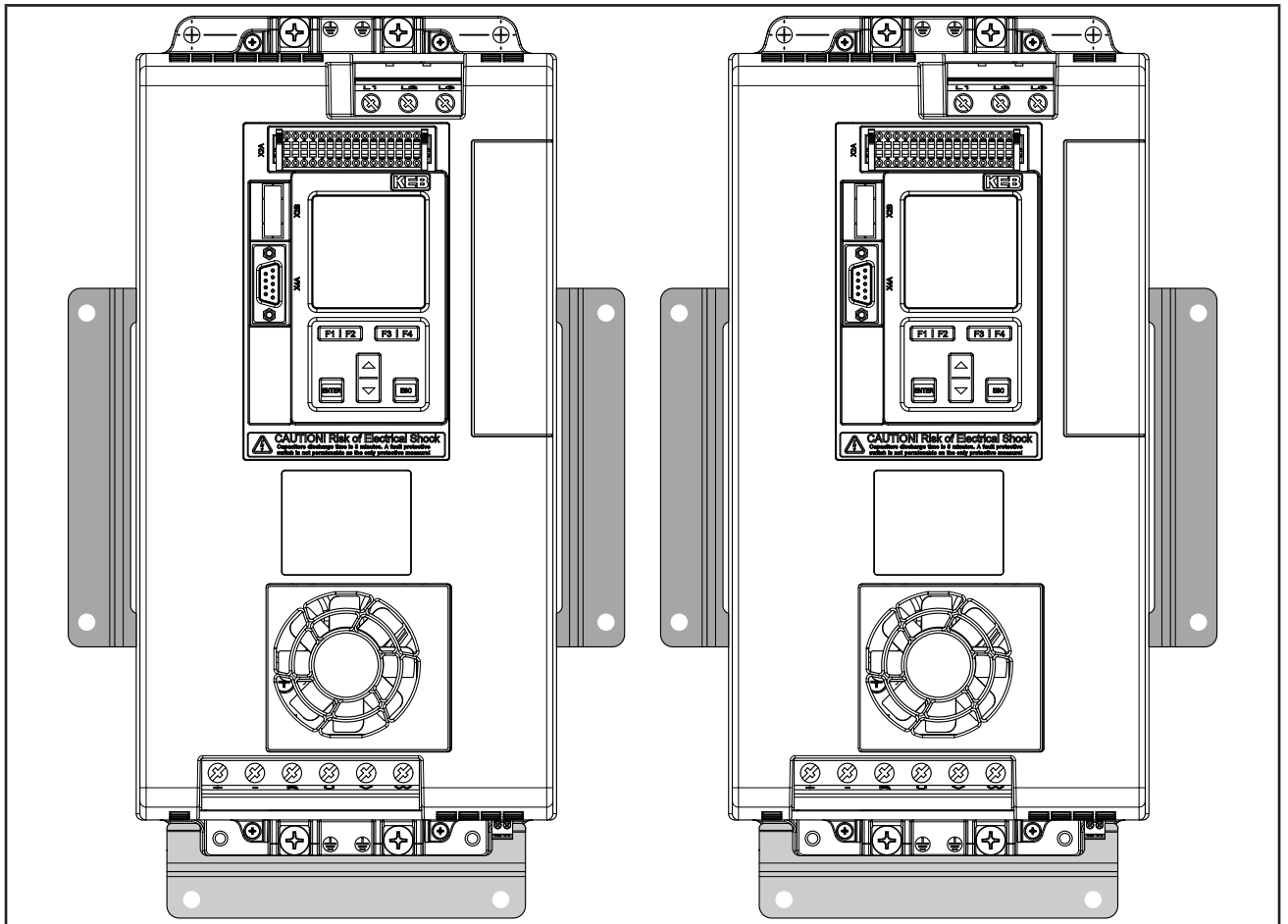
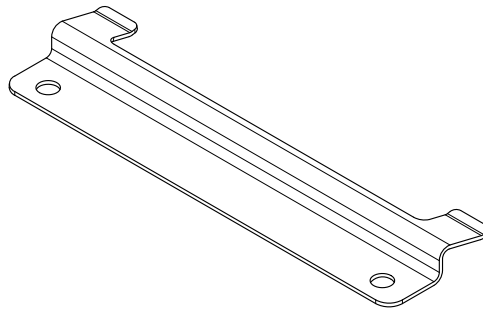
2.2 Insert the seal

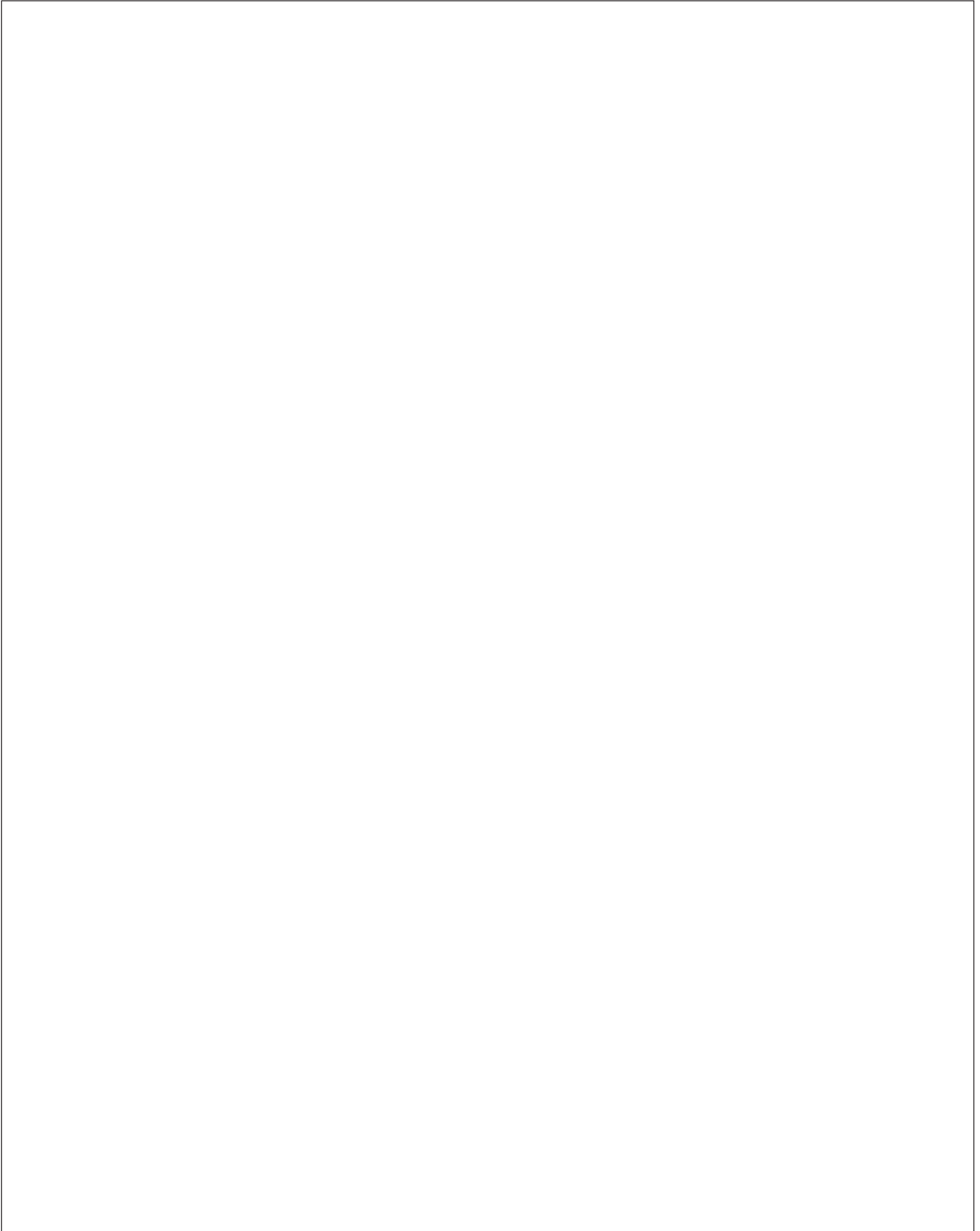
The delivered seal is placed on the bottom side of the heat sink into the provided notch. Then fix it with light, vertical pressure.

2.3 Installation of the unit

For mounting, the unit is plugged into the cabinet cutout and fixed above with two screws. Then place the clips.

Clip E0G6T61-0001







KEB Automation KG

Südstraße 38 • D-32683 Barntrup
fon: +49 5263 401-0 • fax: +49 5263 401-116
net: www.keb.de • mail: info@keb.de

KEB worldwide...

KEB Antriebstechnik Austria GmbH

Ritzstraße 8 • A-4614 Marchtrenk
fon: +43 7243 53586-0 • fax: +43 7243 53586-21
net: www.keb.at • mail: info@keb.at

KEB Antriebstechnik

Herenveld 2 • B-9500 Geraardsbergen
fon: +32 5443 7860 • fax: +32 5443 7898
mail: vb.belgien@keb.de

KEB Power Transmission Technology (Shanghai) Co.,Ltd.

No. 435 Qianpu Road, Chedun Town, Songjiang District,
CHN-Shanghai 201611, P.R. China
fon: +86 21 37746688 • fax: +86 21 37746600
net: www.keb.cn • mail: info@keb.cn

KEB Antriebstechnik Austria GmbH

Organizační složka
K. Weise 1675/5 • CZ-370 04 České Budějovice
fon: +420 387 699 111 • fax: +420 387 699 119
net: www.keb.cz • mail: info.keb@seznam.cz

KEB Antriebstechnik GmbH

Wildbacher Str. 5 • D-08289 Schneeberg
fon: +49 3772 67-0 • fax: +49 3772 67-281
mail: info@keb-drive.de

KEB España

C/ Mitjer, Nave 8 - Pol. Ind. LA MASIA
E-08798 Sant Cugat Sesgarrigues (Barcelona)
fon: +34 93 897 0268 • fax: +34 93 899 2035
mail: vb.espana@keb.de

Société Française KEB

Z.I. de la Croix St. Nicolas • 14, rue Gustave Eiffel
F-94510 LA QUEUE EN BRIE
fon: +33 1 49620101 • fax: +33 1 45767495
net: www.keb.fr • mail: info@keb.fr

KEB (UK) Ltd.

6 Chieftain Business Park, Morris Close
Park Farm, Wellingborough GB-Northants, NN8 6 XF
fon: +44 1933 402220 • fax: +44 1933 400724
net: www.keb-uk.co.uk • mail: info@keb-uk.co.uk

KEB Italia S.r.l.

Via Newton, 2 • I-20019 Settimo Milanese (Milano)
fon: +39 02 3353531 • fax: +39 02 33500790
net: www.keb.it • mail: kebitalia@keb.it

KEB Japan Ltd.

15-16, 2-Chome, Takanawa Minato-ku
J-Tokyo 108-0074
fon: +81 33 445-8515 • fax: +81 33 445-8215
mail: info@keb.jp

KEB Korea Seoul

Room 1709, 415 Missy 2000
725 Su Seo Dong, Gang Nam Gu
ROK-135-757 Seoul/South Korea
fon: +82 2 6253 6771 • fax: +82 2 6253 6770
mail: vb.korea@keb.de

KEB RUS Ltd.

Lesnaya Str. House 30, Dzerzhinsky (MO)
RUS-140091 Moscow region
fon: +7 495 550 8367 • fax: +7 495 632 0217
net: www.keb.ru • mail: info@keb.ru

KEB Sverige

Box 265 (Bergavägen 19)
S-43093 Hälsö
fon: +46 31 961520 • fax: +46 31 961124
mail: vb.schweden@keb.de

KEB America, Inc.

5100 Valley Industrial Blvd. South
USA-Shakopee, MN 55379
fon: +1 952 224-1400 • fax: +1 952 224-1499
net: www.kebamerica.com • mail: info@kebamerica.com

More and newest addresses at <http://www.keb.de>

© KEB	
Mat.No.	00G6NEZ-0E01
Rev.	1C
Date	2016-10-07