

INSTRUCTION MANUAL



KEB COMBICOM

F5 ModBus Operator

Translation of original manual		
Document	Part	Version
20152917	GBR	00





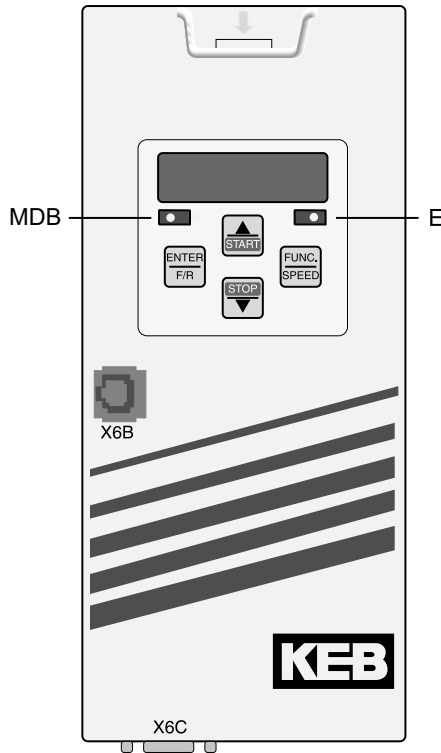
1.	ModBus Interface	4
1.1	Ordering Information	4
	Hardware Description	5
1.2	ModBus Transmission Speed	5
1.3	Diagnosis Interface	5
2.	Functions	5
2.1	Slave Addressing	5
2.2	Parameter Addressing	5
2.3	ModBus Functions	6
2.4	User Defined Functions Defined By KEB	7
2.4.1	Function 100: Read Registers ³²	7
2.4.2	Function 101: Write Registers ³²	7
2.5	Fieldbus Watchdog	7
3.	Operator Parameters	8
4	Annex	12
4.1	Table of Operator Parameters	12
4.2	Error Codes of Exception Response	12
5.	References	12

1. ModBus Interface

1.1 Ordering Information

F5 ModBus Operator:	00F5060-A000
<u>Utilities for the diagnosis interface</u>	
HSP5 cable between PC and adapter:	00F50C0-0001
Adapter DSUB / Western:	00F50C0-0020

Hardware Description



MDB: This green LED shines if a ModBus service is running.

ERROR: This red LED blinks if the frequency inverter control is in error state. It shines constantly if the frequency inverter is ready for operation. If this LED is constantly off then there is no power supply.

X6B: Diagnosis interface

X6C: ModBus interface connector (SUBD9 female).

SUBD9 (Female) connector is supplied for connecting to the ModBus. This connector supports the RS232 or alternatively the RS485 transmission standard. The assignment of the connector is as follows :

Pin	Name	Description
1	NC	Not used
2	RS232_TxD	RS232-Tx-Signal
3	RS232_RxD	RS232-Rx-Signal
4	RS485_RxD(A)	RS485-Rx-Signal-A
5	RS485_RxD(B)	RS485-Rx-Signal-B
6	VCC	Power supply of the serial interface
7	GND	Reference potential of the serial interface
8	RS485_TxD(A)	RS485-Tx-Signal-A
9	RS485_TxD(B)	RS485-Tx-Signal-B

1.2 ModBus Transmission Speed

The ModBus transmission speed is adjusted through parameter Sy.07 in the frequency inverter control. During initialisation this value is read out by the ModBus operator together with the inverter address and the value is taken as ModBus bitrate.

Value	Description
0	1200 Bit/s
1	2400 Bit/s
2	4800 Bit/s
3	9600 Bit/s
4	19200 Bit/s
5	38400 Bit/s
6	55500 Bit/s ¹⁾

¹⁾ No Default value of serial interfaces on Personal Computers

1.3 Diagnosis Interface



To prevent the damage of the serial interface on your Personal Computer be sure that you use the special HSP5 cable from KEB for connecting your PC to the diagnosis interface of the ModBus operator.

With an adapter the HSP5 cable is connected to the diagnosis interface (see ordering informations). When connected correctly access to all parameters of the frequency inverter is possible using the PC-software KEB COMBIVIS. Also the operator internal parameters can be read out and partly adjusted or parameterized with Download.

2. Functions

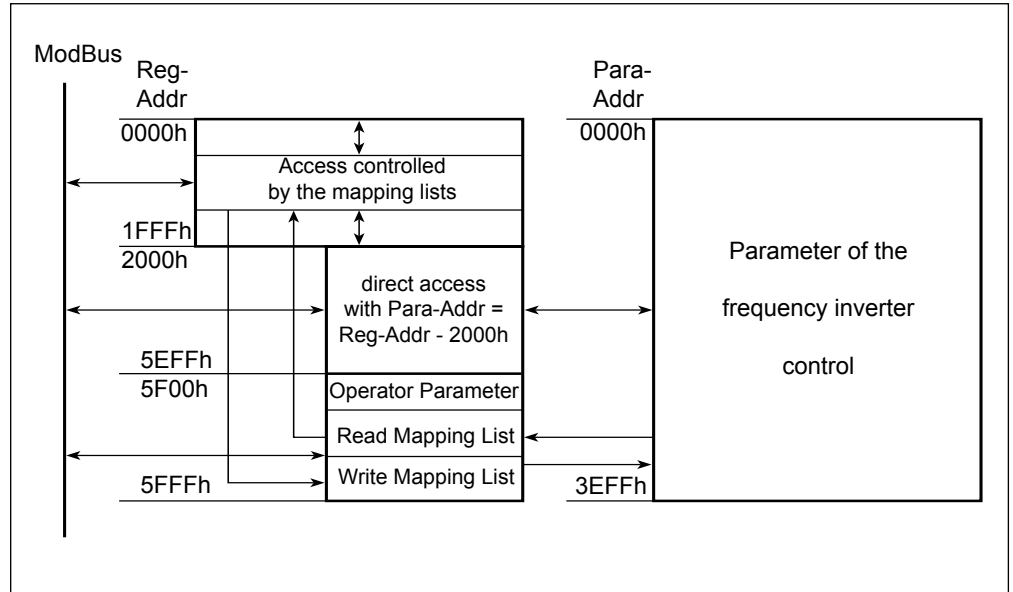
2.1 Slave Addressing

The KEB-ModBus operator is a slave interface. The required ModBus address for addressing is determined by the operator parameter **MDB_SlaveAddr_OP**. If the value of the operator parameter is equal to 255(decimal), the ModBus address is taken from the inverter address (Sy.06). If Sy.06 shall have the value zero which was reserved for broadcast at ModBus, the ModBus operator disable all ModBus activities. If the values are unequal 255(decimal) the ModBus address is directly taken from this value.

2.2 Parameter Addressing

The addresses of the parameters (register) are divided into different groups. Each of this group has its own accessing method:

- **0000(hex).....1FFF(hex)**: This group is build up by those parameters that are accessed through the mapping list. For a possible adaption of existing applications, the real start of the mapping parameters in this range can be adjusted by parameters **MDB_MapStartAddr_Rd/Wr** (see below).
- **2000(hex).....5EFF(hex)**: In this address area the parameters of the inverter control board are mapped by a fixed algorithm. Access is always made on: **FI-Parameter Address = ModBus Register Address – 2000(hex)**. Please keep in mind that in this address area access is done with indirect set addressing (with Fr.09). This means when writing/reading one parameter in different sets you have to set the set indicator (Fr.09) previously before access.
- **5F00(hex)....5FFF(hex)**: This block consists of the operator parameters.



2.3 ModBus Functions

The following predefined ModBus functions are supported by the KEB ModBus interface:

- 3 : ‚Read Holding Registers‘
- 4 : ‚Read Input Registers‘
- 6 : ‚Preset Single Register‘
- 16 : ‚Preset Multiple Registers‘

At KEB functions 3 and 4 are completely identical.

The predefined ModBus functions are designed for word (16 Bit) data access. Addressing of parameters is also done by 16 bit register address. Therefore this services can only operate to the inverter with indirect set addressing (Fr.09).

As some parameters of the KEB frequency inverter have 32 bit data length, additional definitions had to be made for accessing those parameters. This problem has been solved in two ways:

- First is that parameter access through functions 3, 4, 6, 16 in a certain register address area is controlled by two mapping lists. One list for reading and another for writing. With these lists it is possible to access as well as 16 bit or 32 bit parameters with the functions 3, 4, 16. Also the direct set addressing is supported here. The beginning of the register addresses of the mapping lists is programmable with parameters MDB_MapStartAddr_Rd/Wr in the operator. The real length of the mapping list is programmable with parameters MDB_MapNr_Rd/Wr in the operator. The maximum length is limited to 100 (dec) words (16-Bit).
- Second is that two additional ModBus functions have been defined by KEB. The ModBus specification [2] releases function codes for so called ‚user defined function codes‘. In this function area the following functions have been created:
 - 100: Read Registers32: Reading several 32 bit registers (indirect set addressing through Fr.09))
 - 101: Write Registers32: Writing several 32 bit registers (indirect set addressing through Fr.09)

2.4 ModBus Functions Defined By KEB

2.4.1 Function 100: Read Registers32

By this function a number of 32 bit registers/parameters can be read.

Function 100 – Request:

SL-Addr	FUNC	Start-Addr		Number		CRC	
	100(dez)	HiByte	LoByte	HiByte	LoByte	LoByte	HiByte

with Number: Number of registers/parameters to read

with Start-Addr: First read register address

Function 100 – Response:

SL-Addr	FUNC	Byte_Cnt	1. Parameter-Value		n. Parameter-Value		CRC	
	100(dez)		MSByte	LSByte	MSByte	LSByte	LoByte	HiByte

2.4.2 Function 101: Write Registers32

By this function a number of 32 bit registers can be written.

Function 101 – Request:

SL-Addr	FUNC	Start-Addr		Number		Byte_Cnt	1. Parameter-Value		n. Parameter-Value		CRC	
	101(dez)	HiByte	LoByte	HiByte	LoByte		MSByte	LSByte	MSByte	LSByte	LoByte	HiByte

with Number: Number of registers/parameters to read

with Start-Addr: First read register address

Function 101 – Response:

SL-Addr	FUNC	Start-Addr		Number		CRC	
	101(dez)	HiByte	LoByte	HiByte	LoByte	LoByte	HiByte

2.5 Fieldbus Watchdog

The ModBus operator supports fieldbus supervising. Two operator parameters configure this function. **Watchdog_Inhibit** defines several events that reset the fieldbus watchdog. **Watchdog_Activation** serves for activating the watchdog functions with the first occurrence of certain events. The effect of the timeout of the Watchdog timer is adjusted via parameter Pn.05. Parameter Pn.6 determines the Watchdog time. For more information see parameter description below and in the application manual of the used inverter control.

Operator Parameters

3. Operator Parameters

This parameters are localized in the ModBus interface and determine their behaviour. All operator parameters can be accessed as operator parameters via ModBus (mapping lists only for 32 bit services) as well as via diagnosis interface (HSP5).

Legend

Parameter name	COMBIVIS Parameter address	ModBus-Register address
----------------	----------------------------	-------------------------

Parameter name	COMBIVIS Parameter address	ModBus-Register address																
MDB_ProtCfg	0280h (fb.00)	5F00h																
Meaning:	Configures the ModBus interface protocol configuration.																	
Data Length:	1 Byte																	
Coding:	<table border="1"> <tr> <td>B7</td> <td>B6</td> <td>B5</td> <td>B4</td> <td>B3</td> <td>B2</td> <td>B1</td> <td>B0</td> </tr> <tr> <td>RTU / ASCII</td> <td>PARITY</td> <td></td> <td></td> <td></td> <td></td> <td></td> <td></td> </tr> </table>		B7	B6	B5	B4	B3	B2	B1	B0	RTU / ASCII	PARITY						
B7	B6	B5	B4	B3	B2	B1	B0											
RTU / ASCII	PARITY																	
	Bit7: = 1: ModBus RTU(binary) protocol = 0: ModBus Ascii protocol (not yet adjustable)																	
	Bit6, 5: = 00: 8 data bits, no parity bit, 2 stop bit = 01: 8 data bits, odd parity bit, 1 stop bit = 10: 8 data bits, even parity bit, 1 stop bit																	
	Bit4, 3, 2, 1, 0 = reserved for further use																	
Default Setting:	C0h: ModBus RTU, 8 data bits, even parity bit, 1 stop bit																	
Remarks:	A changed value will immediately be active and non-volatile saved.																	
MDB_SlavAddr_OP	0281h (fb.01)	5F01h																
Meaning:	Defines the source for the ModBus slave address.																	
Data Length:	1 Byte																	
Coding:	255(dec): ModBus slave address = Sy.06. No ModBus activity if Sy.06 = 0! 1...247: ModBus slave address = MDB_SlaveAddr_OP																	
Default Setting:	255(dec): ModBus slave address = Sy.06.																	
Remarks:	A changed value will immediately be active and non-volatile saved.																	
MDB_MapStartAddr_Rd	0282h (fb.02)	5F02h																
Meaning:	Configures the first parameter address whose read access is controlled by the read mapping list.																	
Data Length:	2 Byte																	
Coding:	1																	
Default Setting:	0																	
Remarks:	A changed value will immediately be active and non-volatile saved.																	
MDB_MapStartAddr_Wr	0283h (fb.03)	5F03h																
Meaning:	Configures the first parameter address whose write access is controlled by the write mapping list.																	
Data Length:	2 Byte																	
Coding:	1																	
Default Setting:	0																	
Remarks:	A changed value will immediately be active and non-volatile saved.																	

MDB_MapNr_Rd	0284h (fb.04)	5F04h
Meaning:	Configures the number of parameters in the read mapping list.	
Data Length:	1 Byte	
Coding:	1	
Default Setting:	2	
Remarks:	Maximum 100 words(16 bit) can be mapped. A changed value will immediately be active and non-volatile saved.	
MDB_MapNr_Wr	0285h (fb.05)	5F05h
Meaning:	Configures the real number of parameters in the write mapping list.	
Data Length:	1 Byte	
Coding:	1	
Default Setting:	2	
Remarks:	Maximum 100 words(16 bit) can be mapped. A changed value will immediately be active and non-volatile saved.	
Watchdog_Inhibit	0286h (fb.06)	5F06h
Meaning:	Configures which events will reset the fieldbus watchdog.	
Data Length:	1 Byte	
Coding:	Bit coded: Bit0 = 1: Reset fieldbus watchdog by receive of each correct ModBus telegram Bit1 = 1: Reset fieldbus watchdog by receive of each correct ModBus telegram to this slave (broadcast included)	
Default Setting:	01h	
Remarks:	A changed value will immediately be active and non-volatile saved.	
Watchdog_Activation	0287h (fb.07)	5F07h
Meaning:	Configures which events will activate the fieldbus watchdog.	
Data Length:	1 Byte	
Coding:	Bit coded: Bit0 = 1: Activate fieldbus watchdog by first receive of any ModBus telegram. Bit1 = 1: Activate fieldbus watchdog by first receive of a correct ModBus telegram to this slave (broadcast included)	
Default Setting:	01h	
Remarks:	A changed value will immediately be active and non-volatile saved.	
MDB_Command	0288h (fb.08)	5F31h
Meaning:	Through writing to this parameter certain commands can be requested in the ModBus operator.	
Data Length:	2 Byte	
Coding:	0: No command 1: Set operator parameter to default values	
Remarks:	After completion of the requested command bit 15 of this value will be set by the Mod-Bus operator.	

MDB_Mapping_Rd_N	see below	5F32h+N								
COMBIVIS Para. Addr.:	COMBIVIS access through two parameters: MDB_Read_MapIndex (0289h (fb.09)): = N MDB_Read_Mapping (028Ah (fb.10)): The mapping itself									
Meaning:	Configures the nte mapping for read access mapping. N = 0 referes to the first mapping.									
Data Length:	4 Byte									
Coding:	<table border="1" style="margin-left: auto; margin-right: auto;"> <tr> <td style="text-align: center;">B0</td> <td style="text-align: center;">B1</td> <td style="text-align: center;">B2</td> <td style="text-align: center;">B3</td> </tr> <tr> <td style="text-align: center;">Para-Addr HiByte</td> <td style="text-align: center;">LoByte</td> <td style="text-align: center;">Para-Set</td> <td style="text-align: center;">Wlen</td> </tr> </table>		B0	B1	B2	B3	Para-Addr HiByte	LoByte	Para-Set	Wlen
B0	B1	B2	B3							
Para-Addr HiByte	LoByte	Para-Set	Wlen							
Para. Address:	Parameter address (see application manual of the FI control).									
Para. Set:	Parameter set bit coded									
Bit0 = 1 -->	Set 0 addressed									
Bit7 = 1 -->	Set 7 addressed.									
Wlen:	Data length = 16 bit words									
Wlen = 1 -->	Data length = 16 bit									
Wlen = 2 -->	Data length = 32 bit: In this case the first mapping for this parameter contains the used mapping. In the following mapping the values of Para. Addr., Para. Set and Wlen has to be set to zero. That means that a 32 bit mapping takes two entries in the mapping list.									
Remarks:	It is possible to address more than one set in one mapping. That means that the value of Para. Set can have more then one bit set. Please keep in mind that in this case the ModBus operator returns error code 3 (illegal value) if the values of the read parameter are not the same in all mapped sets.									
MDB_Mapping_Wr_N	see below	5F96h+N								
COMBIVIS Para. Addr.:	COMBIVIS access through two parameters: MDB_Write_MapIndex (028Bh (fb.11)): = N MDB_Write_Mapping (028Ch (fb.12)): The mapping itself									
Meaning:	Configures the nte mapping for write access mapping. N = 0 referes to the first mapping.									
Data Length:	4 Byte									
Coding:	Para. Addr.: Parameter address (see application manual of the FI control).									
Para. Set:	Parameter set bit coded									
Bit0 = 1 -->	Set 0 addressed									
Bit7 = 1 -->	Set 7 addressed.									
Wlen:	Data length = 16 bit words									
Wlen = 1 -->	Data length = 16 bit									
Wlen = 2 -->	Data length = 32 bit: In this case the first mapping for this parameter contains the used mapping. In the following mapping the values of Para. Addr., Para. Set and Wlen has to be set to zero. That means that a 32 bit mapping takes two entries in the mapping list.									
Remarks:	It is possible to address more than one set in write mapping. That means that the value of Para. Set can have more then one bit set.									
Operator Type	0180h (OS.00)	not available								
Meaning:	Returns an identifier for the operator type.									
Data Length:	2 Byte									
Coding:	Internal KEB Coding: 10310(dec) = ModBus operator and diagnosis interface									
Remarks:	Only for information									

Software date	0182h (OS.02)	not available
Meaning:	Configures the software date.	
Data Length:	2 Byte	
Coding:	The lowest decimal digit configures the year 2000. The next two decimal digits configure the month. The next two decimal digits configure the day.	
Remarks:	The representation is as follows: ddmm, year-2000	
Diag Error Counter	0183h (OS.03)	not available
Meaning:	Counts errors on the diagnosis interface.	
Data Length:	2 Byte	
Coding:	1	
Remarks:	Only for information	
DiagRsp.DelayTime	0184h (OS.04)	not available
Meaning:	Response delay time on the diagnosis interface.	
Data Length:	1 Byte	
Coding:	1 ms	
Remarks:	A changed value will immediately be active and non-volatile saved.	
Diag Baudrate	0185h (OS.05)	not available
Meaning:	Configures the transmission speed on the diagnosis interface.	
Data Length:	1 Byte	
Coding:	0: 1200 Bit/s 1: 2400 Bit/s 2: 4800 Bit/s 3: 9600 Bit/s 4: 19200 Bit/s 5: 38400 Bit/s	
Remarks:	This Parameter can only read by the diagnosis interface.	
HSP5_Max_InvBusy_Retries	0186h (OS.06)	not available
Meaning:	Configures how often the ModBus operator repeats a request to the frequency inverter control if this answers with error code 'inverter busy'.	
Data Length:	1 Byte	
Coding:	1	
Remarks:	A changed value will immediately be active and non-volatile saved.	
HSP5 Tout Cnt	0187h (OS.07)	not available
Meaning:	Counts the occurrences of timeout on the interface between ModBus operator and frequency inverter control.	
Data Length:	2 Byte	
Coding:	1	
Remarks:	Only for information	

4 Annex

4.1 Table of Operator Parameters

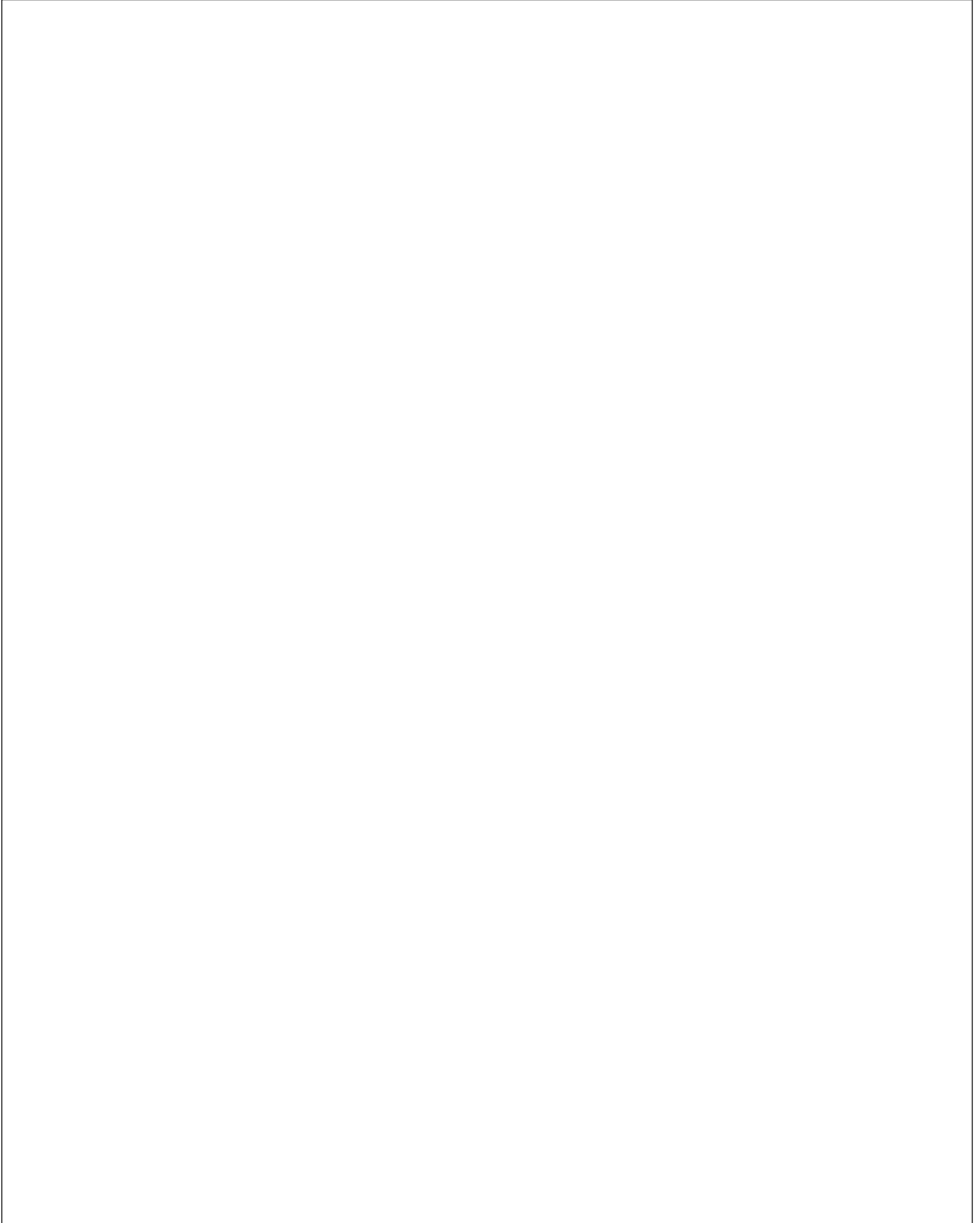
ModBus Adress	COMBIVIS Para-Adresss	Name	Data length in Byte
-	0180h	Operator Type	2
-	0182h	Software date	2
-	0183h	Diag Error Counter	2
-	0184h	DiagRsp.DelayTime	1
-	0185h	Diag Baudrate	1
-	0186h	HSP5_Max_InvBusy_Retries	1
-	0187h	HSP5 Tout Cnt	2
	...		
5F00h	0280h	MDB_ProtCfg	1
5F01h	0281h	MDB_SlaveAddr_OP	1
5F02h	0282h	MDB_MapStartAddr_Rd	2
5F03h	0283h	MDB_MapStartAddr_Wr	2
5F04h	0284h	MDB_MapNr_Rd	1
5F05h	0285h	MDB_MapNr_Wr	1
5F06h	0286h	Watchdog_Inhibit	1
5F07h	0287h	Watchdog_Activation	1
5F31h	0288h	MDB_Command	2
5F32h	0289h + 28Ah	MDB_Mapping_Rd_0	4
	...		
5F95h	0289h + 28Ah	MDB_Mapping_Rd_99	4
5F96h	028Bh + 28Ch	MDB_Mapping_Wr_0	4
	...		
5FF9h	028Bh + 28Ch	MDB_Mapping_Wr_99	4

4.2 Error Codes of Exception Response

Error code	Description
1	Illegal function
2	Illegal data address
3	Illegal data value
4	Slave device failure
5	Function accepted but not yet finished
6	Slave device busy
64	Internal buffer overflow
65	Timeout at transfer to frequency inverter control
66	Parameter is write protected
67	Invalid password

5. References

- [1] Modicon Modbus Protocol Reference Guide, PI-MBUS-300 Rev.J v. 06/1996
- [2] MODBUS Application Protocol Specification V1.1 v. 12/06/02
- [3] MODBUS over Serial Line Specification & Implementation Guide V1.0 v. 12/02/02





KEB Automation KG

Südstraße 38 • 32683 Barntrup

fon: +49 5263 401-0 • fax: +49 5263 401-116

net: www.keb.de • mail: info@keb.de

KEB worldwide...

KEB Antriebstechnik Austria GmbH

Ritzstraße 8 • 4614 Marchtrenk
fon: +43 7243 53586-0 • fax: +43 7243 53586-21
net: www.keb.at • mail: info@keb.at

KEB Antriebstechnik

Herenveld 2 • 9500 Geraardsbergen
fon: +32 5443 7860 • fax: +32 5443 7898
mail: vb.belgien@keb.de

KEB Power Transmission Technology (Shanghai) Co.,Ltd.

No. 435 Qianpu Road, Chedun Town, Songjiang District,
Shanghai 201611, P.R. China
fon: +86 21 37746688 • fax: +86 21 37746600
net: www.keb.de • mail: info@keb.cn

KEB Antriebstechnik Austria GmbH

Organizační složka
Suchovrbenske nam. 2724/4 • 370 06 České Budějovice
fon: +420 387 699 111 • fax: +420 387 699 119
mail: info@keb.cz

KEB Antriebstechnik GmbH

Wildbacher Str. 5 • 08289 Schneeberg
fon: +49 3772 67-0 • fax: +49 3772 67-281
mail: info@keb-drive.de

KEB España

C/ Mitjer, Nave 8 - Pol. Ind. LA MASIA
08798 Sant Cugat Sesgarrigues (Barcelona)
fon: +34 93 897 0268 • fax: +34 93 899 2035
mail: vb.espana@keb.de

Société Française KEB

Z.I. de la Croix St. Nicolas • 14, rue Gustave Eiffel
94510 LA QUEUE EN BRIE
fon: +33 1 49620101 • fax: +33 1 45767495
net: www.keb.fr • mail: info@keb.fr

KEB (UK) Ltd.

Morris Close, Park Farm Industrial Estate
Wellingborough, NN8 6 XF
fon: +44 1933 402220 • fax: +44 1933 400724
net: www.keb.co.uk • mail: info@keb.co.uk

KEB Italia S.r.l.

Via Newton, 2 • 20019 Settimo Milanese (Milano)
fon: +39 02 3353531 • fax: +39 02 33500790
net: www.keb.de • mail: kebitalia@keb.it

KEB Japan Ltd.

15-16, 2-Chome, Takanawa Minato-ku
Tokyo 108-0074
fon: +81 33 445-8515 • fax: +81 33 445-8215
mail: info@keb.jp

KEB Korea Seoul

Room 1709, 415 Missy 2000
725 Su Seo Dong, Gang Nam Gu
135-757 Seoul/South Korea
fon: +82 2 6253 6771 • fax: +82 2 6253 6770
mail: vb.korea@keb.de

KEB RUS Ltd.

Lesnaya Str. House 30, Dzerzhinsky (MO)
140091 Moscow region
fon: +7 495 632 0217 • fax: +7 495 632 0217
net: www.keb.ru • mail: info@keb.ru

KEB America, Inc.

5100 Valley Industrial Blvd. South
Shakopee, MN 55379
fon: +1 952 224-1400 • fax: +1 952 224-1499
net: www.kebamerica.com • mail: info@kebamerica.com

More and latest addresses at <http://www.keb.de>

© KEB	
Document	20152917
Part/Version	GBR 00
Date	05/2017