

Size	Nominal air gap (mm)
06	0,2
07	0,3
08	0,35
09	0,35
10	0,4
11	0,5

Operation and Servicing

The KEB COMBIBOX unit is ready to be installed. IEC mating dimensions at the input and output sides allow for easy assembly of motors and gearboxes.

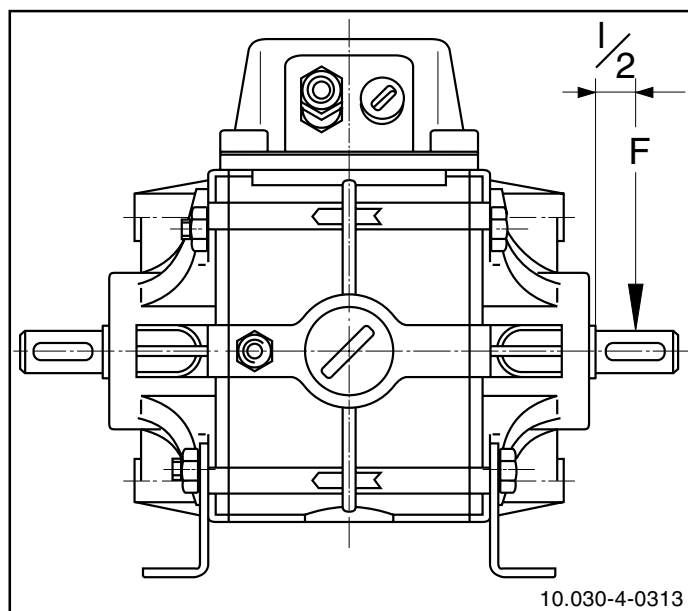
If mounted with belt pulleys, shaft couplings, motors, gears etc., do not force fit. When the shaft or hollows shaft are fitted, use minimum lubrication to prevent the oil or grease from penetrating onto the friction surfaces.

The COMBIBOX may be supplied for connection to 24 V = ,95 V = or with a built-in rectifier for connection to 110 V ≈ or 220 V ≈ . Type 06 requires smoothed direct voltage (or bridge rectification, at least).

When the armatures of clutch and brake are not connected (Construction 700, 710, 800, 900, 05.10.360, 05.10.460 and Type 16) overlapping of the switching times is possible.

The air gap should be readjusted, at the latest, when it reaches three times its nominal value.

Permissible Shaft Load



Size	06	07	08	09	10	11
FN [N]	314	370	570	811	1469	2200
l/2 [mm]	15	20	25	30	30	55

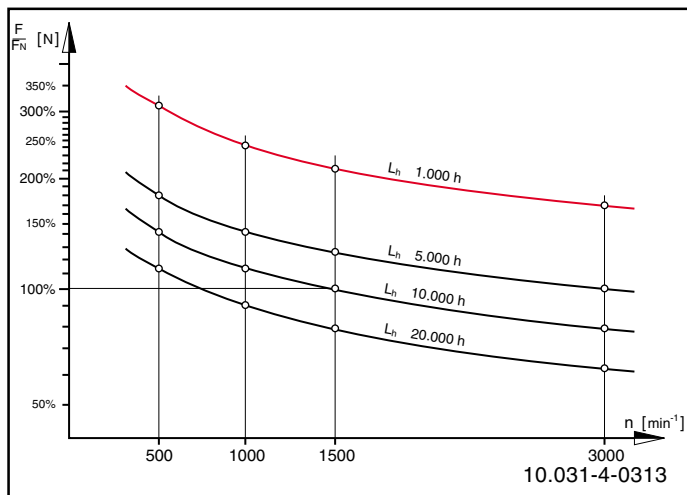
Permissible Shaft Load

The value F_N refers to shaft middle, distance $l/2$. It is based on a service life of 10 000 h and a speed of 1500 min^{-1} . For other speed and service life values F_N can be calculated with the aid of the diagram. If additional axial forces occur, a recalculation of the bearing load should be performed by the factory.

Example:

$$L_h = 5000 \text{ h}, n = 1000 \text{ min}^{-1}$$

$$\frac{F}{F_N} = 1,5 \rightarrow F = 1,5 \cdot F_N$$



Adjusting the air gap

Type 10 - Type 06

The air gap can easily be adjusted from outside via two adjusting screws without taking the COMBIBOX apart. The only tools required are an Allen key, an open end spanner and a feeler gauge to check the air gap.



Wearing parts

The parts subject to wear are the braking magnet, the armature and the rotor. If necessary, it is recommended to exchange all of these parts each time.

With the order of wearing parts or the order of complete units the seriennummer printed on the terminal box is needed.

Type 09 - Type 16

The air gap adjustment of type 09 and type 16 can be made after disassembly of the driving size.

Adjusting Instructions

1. Remove the plugs from the access holes.
2. Loosen the two lock nuts.
3. Introduce the feeler gauge between rotor and armature on both sides and screw in the adjusting screw until the nominal air gap is reached. Check whether the air gap is equal on both sides.
4. Tighten the lock nuts, taking care not to alter the setting of the adjusting screws.
5. Replace the plugs in the access holes.

