



COMBIVERT F6

INSTRUCTIONS FOR USE | **INSTALLATION F6 HOUSING 6**
HIGH SPEED DRIVE

Translation of the original manual
Document 20343695 EN 01



Preface

The hardware and software described in this document are products of KEB. The information contained in this document is valid at the time of publishing. KEB reserves the right to update this document in response to misprints, mistakes or technical changes.

Signal words and symbols

Certain procedures within this document can cause safety hazards during the installation or operation of the device. Refer to the safety warnings in this document when performing these procedures. Safety signs are also located on the device where applicable. A safety warning is marked by one of the following warning signs:

DANGER	Dangerous situation, which will cause death or serious injury if this safety warning is ignored.
WARNING	Dangerous situation, which may cause death or serious injury if this safety warning is ignored.
CAUTION	Dangerous situation, which may cause minor injury if this safety warning is ignored.
NOTICE	Situation, which can cause damage to property if this safety warning is ignored.

RESTRICTION

Used when the following statements depend on certain conditions or are only valid for certain ranges of values.



Used for informational messages or recommended procedures.

More symbols

- ▶ This arrow starts an action step.
- / - Enumerations are marked with dots or indents.
- => Cross reference to another chapter or another page.



Note to further documentation.
<https://www.keb-automation.com/search>



Laws and guidelines

KEB Automation KG confirms with the EC declaration of conformity and the CE mark on the device nameplate that it complies with the essential safety requirements.

The EC declaration of conformity can be downloaded on demand via our website.

Warranty and liability

The warranty and liability on design, material or workmanship for the acquired device is given in the general sales conditions.



Here you will find our general sales conditions.
<https://www.keb-automation.com/terms-conditions>



Further agreements or specifications require a written confirmation.

Support

Although multiple applications are referenced, not every case has been taking into account. If you require further information or if problems occur which are not referenced in the documentation, you can request the necessary information via the local KEB agency.

The use of our units in the target products is outside of our control and therefore lies exclusively in the area of responsibility of the customer.

The information contained in the technical documentation, as well as any user-specific advice in spoken and written and through tests, are made to best of our knowledge and information about the intended use. However, they are regarded as being only informal and changes are expressly reserved, in particular due to technical changes. This also applies to any violation of industrial property rights of a third-party. Selection of our units in view of their suitability for the intended use must be done generally by the user.

Tests can only be done within the intended end use of the product (application) by the customer. They must be repeated, even if only parts of hardware, software or the unit adjustment are modified.

Copyright

The customer may use the instructions for use as well as further documents or parts from it for internal purposes. Copyrights are with KEB and remain valid in its entirety.

This KEB product or parts thereof may contain third-party software, including free and/or open source software. If applicable, the license terms of this software are contained in the instructions for use. The instructions for use are already available to you, can be downloaded free of charge from the KEB website or can be requested from the respective KEB contact person.

Other wordmarks or/and logos are trademarks (™) or registered trademarks (®) of their respective owners.

Table of Contents

Preface	3
Signal words and symbols	3
More symbols	3
Laws and guidelines	4
Warranty and liability	4
Support	4
Copyright	4
Table of Contents	5
List of Figures	8
List of Tables	9
Glossary	10
Standards for drive controllers	12
Product standards that apply directly to the drive controller	12
Basic standards to which drive controller standards refer directly	12
Standards that are used in the environment of the drive controller	13
1 Basic Safety Instructions	14
1.1 Target group	14
1.2 Transport, storage and proper use	14
1.3 Installation	15
1.4 Electrical connection	16
1.4.1 EMC-compatible installation	17
1.4.2 Voltage test	17
1.4.3 Insulation measurement	17
1.5 Start-up and operation	18
1.6 Maintenance	19
1.8 Repair	20
1.7 Disposal	20
2 Produktbeschreibung	21
2.1 Bestimmungsgemäßer Gebrauch	21
2.1.1 Restgefahren	21
2.2 Nicht bestimmungsgemäßer Gebrauch	21
2.3 Product features	22
2.4 Part code	23
2.5 Nameplate	25
2.5.1 Configurable options	26
3 Technical data	27
3.1 Operating conditions	27
3.1.1 Climatic environmental conditions	27

3.1.2 Mechanical environmental conditions	28
3.1.3 Chemical / mechanical active substances.....	28
3.1.4 Electrical operating conditions.....	29
3.1.4.1 Device classification	29
3.1.4.2 Electromagnetic compatibility.....	29
3.2 Device data of the High Speed Drive devices	30
3.2.1 Overview of the High Speed Drive device data.....	30
3.2.2 Voltage and frequencies for 400V devices.....	31
3.2.2.1 Example of the calculation of the possible motor voltage:	32
3.2.3 Input and output currents/ overload.....	32
3.2.3.1 Overload characteristic (OL)	33
3.2.3.2 Frequency-dependent maximum current (OL2)	35
3.2.4 Power dissipation at rated operation for HSD devices.....	37
3.2.5 Fusing of the HSD devices.....	37
3.3 General electrical data	38
3.3.1 Switching frequency and temperature.....	38
3.3.1.1 Switching frequency and temperature of the HSD devices.....	38
3.3.2 DC link / braking transistor function.....	39
3.3.2.1 DC link / braking transistor function of the HSD devices.....	40
3.3.3 Thermal continuous current.....	40
3.3.4 Fan	41
3.3.4.1 Switching behaviour of the fans	42
3.3.4.2 Switching points of the fans.....	42
4 Installation.....	43
4.1 Dimensions and weights	43
4.1.1 Built-in version fluid cooler (water) High Performance	43
4.1.2 Push-through version fluid cooler (water) High Performance IP20, IP54-ready.....	44
4.2 Control cabinet installation	45
4.2.1 Mounting instructions	45
4.2.2 Mounting distances	46
4.2.3 Installation of IP54-ready devices	47
4.2.4 Control cabinet ventilation.....	48
4.2.5 Airflow of the drive converter	48
5 Installation and connection	49
5.1 Overview of the COMBIVERT F6.....	49
5.2 Connection of the power unit.....	52
5.2.1 Connection of the voltage supply	52
5.2.1.1 Terminal block X1A.....	53
5.2.2 Protective earth and functional earth.....	54
5.2.2.1 Protective earth	54
5.2.2.2 Functional earthing.....	54

5.2.3 AC mains connection.....	55
5.2.3.1 AC supply 3-phase	55
5.2.3.2 Supply cable.....	55
5.2.3.3 Note on hard power systems.....	56
5.2.4 DC connection.....	57
5.2.4.1 Terminal block X1A DC connection	57
5.2.5 Connection of the motor.....	58
5.2.5.1 Wiring of the motor	58
5.2.5.2 Terminal block X1A motor connection	59
5.2.5.3 Selection of the motor line.....	60
5.2.5.4 Motor cable length and conducted interferences at AC supply	60
5.2.5.5 Motor cable length for parallel operation of motors	61
5.2.5.6 Motor cable cross-section	61
5.2.5.7 Interconnection of the motor.....	61
5.2.5.8 Connection of the temperature monitoring and brake control (X1C).....	62
5.2.6 Connection and use of a braking resistor.....	64
5.2.6.1 Terminal block X1A connection braking resistor	65
5.2.6.2 Use of non-intrinsically safe braking resistors	66
5.3 Accessories	67
5.3.1 Filters and chokes	67
5.3.2 Seal for IP54-ready devices	67
5.3.3 Side-mounted braking resistors.....	67
6 Operation of Liquid-Cooled Devices.....	68
6.1 Water-cooled devices.....	68
6.1.1 Heat sink and operating pressure	68
6.1.2 Materials in the cooling circuit	68
6.1.3 Requirements for the coolant	69
6.1.4 Connection of the HSD cooling system.....	71
6.1.5 Coolant temperature and moisture condensation	72
6.1.5.1 Condensation	72
6.1.5.2 Supply of temper coolant.....	72
6.1.6 Permissible volume flow.....	74
6.1.7 Coolant heating	75
6.1.8 Typical pressure drop of the heat sink with water	76
7 Certification.....	77
7.1 CE marking.....	77
7.2 UL certification	78
7.3 Further informations and documentation.....	79
8 Revision history.....	80

List of Figures

Figure 1:	Nameplate.....	25
Figure 2:	Configurable options	26
Figure 3:	Switch-off time t depending on overload I/IN at OC level 150% (OL).....	34
Figure 4:	Typical overload characteristics in the lower output frequencies (OL2) Example 24-device.	35
Figure 5:	Block diagram of the energy flow.....	39
Figure 6:	Switching behaviour of the fans Example interior fan	42
Figure 7:	Dimensions built-in version fluid cooler (water) High-Performance	43
Figure 8:	Dimensions push-through version fluid cooler (water) High-Performance IP20, IP54-ready	44
Figure 9:	Mounting distances	46
Figure 10:	Installation of IP54-ready devices	47
Figure 11:	Control cabinet ventilation.....	48
Figure 12:	Airflow of the drive converter	48
Figure 13:	F6 housing 6 HSD top view	49
Figure 14:	F6 housing 6 HSD front view	50
Figure 15:	F6 housing 6 HSD rear view with control board APPLICATION	51
Figure 16:	Input circuit.....	52
Figure 17:	Terminal block X1A	53
Figure 18:	Connection for protective earth.....	54
Figure 19:	Connection of the mains supply 3-phase.....	55
Figure 20:	Terminal block X1A DC connection.....	57
Figure 21:	Wiring of the motor.....	58
Figure 22:	Terminal block X1A motor connection.....	59
Figure 23:	Symmetrical motor line	60
Figure 24:	Terminal block X1C for control board APPLICATION and COMPACT.....	62
Figure 25:	Terminal block X1C for control board PRO.....	62
Figure 26:	Connection of the brake control.....	63
Figure 27:	Connection of a KTY sensor	63
Figure 28:	Terminal block X1A connection braking resistor	65
Figure 29:	Connection of the HSD cooler	71
Figure 30:	Volume flow depending on the total power dissipation PD_{tot} and temperature diffe- rence with water-glycol mixture.....	75
Figure 31:	Typical pressure drop depending on the volume flow.....	76

List of Tables

Table 1:	Part code.....	24
Table 2:	Climatic environmental conditions	27
Table 3:	Mechanical environmental conditions	28
Table 4:	Chemical / mechanical active substances	28
Table 5:	Device classification.....	29
Table 6:	Electromagnetic compatibility	29
Table 7:	Overview of the HSD device data.....	31
Table 8:	Input voltages and frequencies of the 400V devices	31
Table 9:	DC link voltage for 400V devices.....	31
Table 10:	Output voltages and frequencies of the 400V devices	32
Table 11:	Example of the calculation of the possible motor voltage:.....	32
Table 12:	Input and output currents of the HSD devices	32
Table 13:	Frequency-dependent maximum current for device size 24	36
Table 14:	Power dissipation of the HSD devices	37
Table 15:	Fusing of the HSD devices	37
Table 16:	Switching frequency and temperature of the HSD devices	38
Table 17:	DC link / braking transistor function of the HSD devices	40
Table 18:	Thermal continuous current for device size 24	40
Table 19:	Fan.....	41
Table 20:	Switching points of the fans	42
Table 21:	Mounting instructions for push-through version.....	45
Table 22:	Crimp connector dimension X1A.....	53
Table 23:	Crimp connector dimension DC connection.....	57
Table 24:	Crimp connector dimension motor connection.....	59
Table 25:	Crimp connector dimension braking resistor.....	65
Table 26:	Filters and chokes 400 V devices	67
Table 27:	Seal for IP54-ready devices.....	67
Table 28:	Electrochemical series / standard potentials against hydrogen.....	69
Table 29:	Requirements for the coolant.....	69
Table 30:	Special requirements for open and half-open cooling systems	70
Table 31:	Dew point table	72
Table 32:	Permissible volume flow	74

Glossary

0V	Earth-potential-free common point	Encoder emulation	Software-generated encoder output
1ph	1-phase mains	End customer	The end customer is the user of the customer product
3ph	3-phase mains	Endat	Bidirectional encoder interface of the company Heidenhain
AC	AC current or voltage	EtherCAT	Real-time Ethernet bus system of the company Beckhoff
AFE	From 07/2019 AIC replaces the previous name AFE	Ethernet	Real-time bus system - defines protocols, plugs, types of cables
AFE filter	From 07/2019 AIC filter replaces the previous name AFE filter	FE	Functional earth
AIC	Active Infeed Converter	FSoE	Functional Safety over Ethernet
AIC filter	Filter for Active Infeed Converter	FU	Drive controller
Application	The application is the intended use of the KEB product	GND	Reference potential, ground
ASCL	Asynchronous sensorless closed loop	GTR7	Braking transistor
Auto motor ident.	Automatically motor identification; calibration of resistance and inductance	HF filter	KEB specific term for an EMC filter (for description see EMC filter).
AWG	American wire gauge	Hiperface	Bidirectional encoder interface of the company Sick-Stegmann
B2B	Business-to-business	HMI	Human machine interface (touch screen)
BiSS	Open source real-time interface for sensors and actuators (DIN 5008)	HSP5	Fast, serial protocol
CAN	Fieldbus system	HTL	Incremental signal with an output voltage (up to 30V) -> TTL
c.d.f.	Cyclic duration factor	IEC	IEC xxxxx stands for an international standard of the International Electrotechnical Commission
CDM	Complete drive module including auxiliary equipment (control cabinet)	IPxx	Protection class (xx for class)
COMBIVERT	KEB drive controller	KEB product	The KEB product is subject of this manual
COMBIVIS	KEB start-up and parameterizing software	KTY	Silicium temperature sensor (polarized)
Customer	The customer has purchased a KEB product from KEB and integrates the KEB product into his product (customer product) or resells the KEB product (dealer)	Manufacturer	The manufacturer is KEB, unless otherwise specified (e.g. as manufacturer of machines, engines, vehicles or adhesives)
DC	DC current or voltage	MCM	American unit for large wire cross sections
DI	Demineralized water, also referred to as deionized (DI) water	Modulation	Means in drive technology that the power semiconductors are controlled
DIN	German Institut for standardization	MTTF	Mean service life to failure
DS 402	CiA DS 402 - CAN device profile for drives	NHN	Standard elevation zero; based on the specified height definition in Germany (DHHN2016). The international data generally deviate from this by only a few cm to dm, so that the specified value can be applied to the regionally applicable definition.
ELV	Extra-low voltage	OC	Overcurrent
EMC filter	EMC filters are used to suppress conducted interferences in both directions between the drive controller and the mains	OH	Overheat
Emergency stop	Shutdown of a drive in emergency case (not de-energized)	OL	Overload
Emergency switching off	Switching off the voltage supply in emergency case		
EMS	Energy Management System		
EN	European standard		

OSSD	Output signal switching device; - an output signal that is checked in regular intervals on its shutdown. (safety technology)
PDS	Power drive system incl. motor and measuring probe
PE	Protective earth
PELV	Protective Extra Low Voltage
PFH	Term used in the safety technology (EN 61508-1...7) for the size of error probability
PFH	Term used in the safety technology (EN 61508-1...7) for the size of error probability per hour
PLC	Programmable logic controller
Pt100	Temperature sensor with $R_0=100\Omega$
Pt1000	Temperature sensor with $R_0=1000\Omega$
PTC	PTC-resistor for temperature detection
PWM	Pulse width modulation
RJ45	Modular connector with 8 lines
SCL	Synchronous sensorless closed loop
SELV	Safe extra-low voltage, unearthed
SIL	The safety integrity level is a measure for quantifying the risk reduction. Term used in the safety technology (EN 61508 -1...7)
SS1	Safety function „Safe stop 1“ in accordance with IEC 61800-5-2
SSI	Synchronous serial interface for encoder
STO	Safety function „Safe Torque Off“ in accordance with IEC 61800-5-2
TTL	Logic with 5 V operating voltage
USB	Universal serial bus
VARAN	Real-time Ethernet bus system

Standards for drive controllers

Product standards that apply directly to the drive controller

EN61800-2	Adjustable speed electrical power drive systems - Part 2: General requirements- Rating specifications for low voltage adjustable frequency a.c. power drive systems (VDE 0160-102, IEC 61800-2)
EN61800-3	Speed-adjustable electrical drives. Part 3: EMC requirements and specific test methods (VDE 0160-103, IEC 61800-3)
EN61800-5-1	Adjustable speed electrical power drive systems - Part 5-1: Safety requirements - Electrical, thermal and energy (IEC 61800-5-1); German version EN 61800-5-1
EN61800-5-2	Adjustable speed electrical power drive systems - Part 5-2: Safety Requirements - Functional (IEC 22G/264/CD)
UL61800-5-1	American version of the IEC 61800-5-1 with „National Deviations“ for USA and Canada
EN61800-9-2	Adjustable speed electrical power drive systems - Part 9-2: Ecodesign for power drive systems, motor starters, power electronics and their driven applications - Energy efficiency indicators for power drive systems and motor starters

Basic standards to which drive controller standards refer directly

EN 55011	Industrial, scientific and medical equipment - Radio frequency disturbance characteristics - Limits and methods of measurement (IEC 55011/CISPR 11); German version EN 55011
EN 60529	Degrees of protection provided by enclosures (IP Code) (IEC 60529)
EN 60664-1	Insulation coordination for equipment within low-voltage systems Part 1: Principles, requirements and tests (IEC 60664-1)
EN 60721-3-1	Classification of environmental conditions - Part 3-1: Classification of groups of environmental parameters and their severities - Section 1: Storage (IEC 60721-3-1); German version EN 60721-3-1
EN 60721-3-2	Classification of environmental conditions - Part 3: Classification of groups of environmental parameters and their severities - Section 2: Transportation and handling (IEC 104/670/CD)
EN 60721-3-3	Classification of environmental conditions - Part 3: Classification of groups of environmental parameters and their severities; section 3: Stationary use at weatherprotected locations; Amendment A2 (IEC 60721-3-3); German version EN 60721-3-3 1994)
EN 61000-2-1	Electromagnetic compatibility (EMC) - Part 2: Environment - Section 1: Description of the environment - Electromagnetic environment for low-frequency conducted disturbances and signalling in public power supply systems (IEC 61000-2-1)
EN 61000-2-4	Electromagnetic compatibility (EMC) - Part 2-4: Environment; Compatibility levels in industrial plants for low-frequency conducted disturbances (IEC 61000-2-4); German version EN 61000-2-4
EN 61000-4-2	Electromagnetic compatibility (EMC) - Part 4-2: Testing and measurement techniques - Electrostatic discharge immunity test (IEC 61000-4-2); German version EN 61000-4-2
EN 61000-4-3	Electromagnetic compatibility (EMC) - Part 4-3: Testing and measurement techniques - Radiated, radio-frequency, electromagnetic field immunity test (IEC 61000-4-3); German version EN 61000-4-3
EN 61000-4-4	Electromagnetic compatibility (EMC) - Part 4-4: Testing and measurement techniques - Electrical fast transient/burst immunity test (IEC 61000-4-4); German version EN 61000-4-4

EN61000-4-5	Electromagnetic compatibility (EMC) - Part 4-5: Testing and measurement techniques - Surge immunity test (IEC 61000-4-5); German version EN 61000-4-5
EN61000-4-6	Electromagnetic compatibility (EMC) - Part 4-6: Testing and measurement techniques - Immunity to conducted disturbances, induced by radio-frequency fields (IEC 61000-4-6); German version EN 61000-4-6
EN61000-4-34	Electromagnetic compatibility (EMC) - Part 4-34: Testing and measurement techniques - Voltage dips, short interruptions and voltage variations immunity tests for equipment with mains current more than 16 A per phase (IEC 61000-4-34); German version EN 61000-4-34
EN61508-1...7	Functional safety of electrical/electronic/programmable electronic safety-related systems – Part 1...7 (VDE0803-1...7, IEC61508-1...7)
EN62061	Safety of machinery - functional safety of electrical, electronic and programmable electronic safety-related systems (VDE0113-50, IEC62061)
EN ISO 13849-1	Safety of machinery - safety-related parts of control systems - Part 1: General principles for design (ISO 13849-1); German version EN ISO 13849-1

Standards that are used in the environment of the drive controller

DGUV regulation 3	Electrical installations and equipment
DNVGL-CG-0339	Environmental test specification for electrical, electronic and programmable equipment and systems
EN 1037	Safety of machinery - Prevention of unexpected start-up; German version EN 1037
EN 12502-1...5	Protection of metallic materials against corrosion - Part 1...5
EN60204-1	Safety of machinery - electrical equipment of machines Part 1: General requirements (VDE0113-1, IEC44/709/CDV)
EN60439-1	Low-voltage switchgear and controlgear assemblies - Part 1: Type-tested and partially type-tested assemblies (IEC 60439-1); German version EN 60439-1
EN 60947-7-1	Low-voltage switchgear and controlgear - Part 7-1: Ancillary equipment - Terminal blocks for copper conductors (IEC 60947-7-1:2009); German version EN 60947-7-1:2009
EN 60947-8	Low-voltage switchgear and controlgear - Part 8: Control units for built-in thermal protection (PTC) for rotating electrical machines (IEC 60947-8:2003 + A1:2006 + A2:2011)
EN61373	Railway applications - Rolling stock equipment - Shock and vibration tests (IEC 61373); German version EN 61373
EN61439-1	Low-voltage switchgear and controlgear assemblies - Part 1: General rules (IEC 121B/40/CDV); German version FprEN 61439-1
VGB S 455 P	Water treatment and use of materials in cooling systems
VDE 0100	Erection of low-voltage systems – Compliance with all parts (IEC 60364-x-x)
DIN EN 60939-1	Passive filter units for electromagnetic interference suppression - Part 1: Generic specification (IEC 60939-1:2010); German version EN 60939-1:2010

1 Basic Safety Instructions

The products are designed and constructed in accordance with state-of-the-art technology and the recognized safety rules and regulations. However, the use of such devices may cause functional hazards for life and limb of the user or third parties, or damages to the system and other material property.

The following safety instructions have been created by the manufacturer for the area of electric drive technology. They can be supplemented by local, country- or application-specific safety instructions. This list is not exhaustive. Violation of the safety instructions by the customer, user or other third party leads to the loss of all resulting claims against the manufacturer.

NOTICE



Hazards and risks through ignorance!

- ▶ Read the instructions for use!
- ▶ Observe the safety and warning instructions!
- ▶ If anything is unclear, please contact KEB Automation KG!

1.1 Target group

This instruction manual is determined exclusively for electrical personnel. Electrical personnel for the purpose of this instruction manual must have the following qualifications:

- Knowledge and understanding of the safety instructions.
- Skills for installation and assembly.
- Start-up and operation of the product.
- Understanding of the function in the used machine.
- Detection of hazards and risks of the electrical drive technology.
- Knowledge of *VDE 0100*
- Knowledge of national safety regulations.

1.2 Transport, storage and proper use

The transport is carried out by qualified persons in accordance with the environmental conditions specified in this manual. Drive controller shall be protected against excessive strains.



Transport of drive controllers with an edge length >75 cm

The transport by forklift without suitable tools can cause a deflection of the heat sink. This leads to premature aging or destruction of internal components.

- ▶ Transport of drive controllers on suitable pallets.
- ▶ Do not stack drive controllers or burden them with other heavy objects.

NOTICE

Damage to the coolant connections

Bending of the tubes!

- ▶ Never place the device on the coolant connections



Drive controllers contain electrostatic sensitive components.

- ▶ Avoid contact.
 - ▶ Wear ESD-protective clothing.
-

Do not store drive controllers

- in the environment of aggressive and/or conductive liquids or gases.
- with direct sunlight.
- outside the specified environmental conditions.

1.3 Installation

⚠ DANGER

Do not operate in an explosive environment!

- ▶ The product is not intended for the use in potentially explosive environment.
-

⚠ CAUTION

Design-related edges and high weight!
Contusions and bruises!

- ▶ Never stand under suspended loads.
 - ▶ Wear safety shoes.
 - ▶ Secure drive controller accordingly when using lifting gear.
-

To prevent damages to the device:

- Make sure that no components are bent and/or isolation distances are changed.
- The device must not be put into operation in case of mechanical defects.
- Do not allow moisture or mist to penetrate the unit.
- Avoid dust permeating the device. Allow for sufficient heat dissipation if installed in a dust-proof housing.
- Note installation position and minimum distances to surrounding elements. Do not cover the ventilation openings.
- Mount the drive controller according to the specified degree of protection.
- Make sure that no small parts fall into the COMBIVERT during assembly and wiring (drilling chips, screws etc.). This also applies to mechanical components, which can lose small parts during operation.
- Check the reliable fit of the device connections in order to avoid contact resistances and sparking.
- Do not walk-on drive controller.
- Follow all safety instructions!

1.4 Electrical connection

⚠ DANGER



Voltage at the terminals and in the device !

Danger to life due to electric shock !

- ▶ Never work on the open device or never touch exposed parts.
- ▶ For any work on the unit switch off the supply voltage, secure it against switching on and check absence of voltage by measuring at the input terminals.
- ▶ Wait until all drives has been stopped in order that no regenerative energy can be generated.
- ▶ Await capacitor discharge time (5 minutes). Check absence of voltage by measuring at the DC terminals.
- ▶ If personal protection is required, install suitable protective devices for drive converters.
- ▶ Never bridge upstream protective devices (even for testing purposes).
- ▶ Connect the protective earth conductor always to drive converter and motor.
- ▶ Install all required covers and protective devices for operation.
- ▶ The control cabinet shall be kept closed during operation.
- ▶ Residual current: This product may cause a dc current in the protective earth conductor. When a residual current protective device (RCD) or a residual current monitoring device (RCM) is used for the protection against direct or indirect contact, only a RCD or RCM type B is permitted on the power supply side of this product.
- ▶ Drive converters with a leakage current $> 3.5\text{mA AC}$ current (10mA DC current) are intended for a stationary connection. Protective earth conductors must be designed in accordance with the local regulations for equipment with high leakage currents according to *EN 61800-5-1*, *EN 60204-1* or *DIN IEC 60364-5-54*.



If personnel protection is required during installation of the system, suitable protective devices must be used for drive controllers.

www.keb.de/fileadmin/media/Techinfo/dr/tn/ti_dr_tn-rcd-00008_en.pdf



Installations which include drive controller shall be equipped with additional control and protective devices in accordance with the relevant applicable safety requirements, e.g. act respecting technical equipment, accident prevention rules etc. They must always be complied with, also for drive controller bearing a CE marking.

For a trouble-free and safe operation, please pay attention to the following instructions:

- The electrical installation shall be carried out in accordance with the relevant requirements.
- Cable cross-sections and fuses must be dimensioned by the user according to the specified minimum/maximum values for the application.
- The wiring must be made with flexible copper cable for a temperature > 75°C.
- Connection of the drive converter is only permissible on symmetrical networks with a maximum line voltage (L1, L2, L3) with respect to earth (N/PE) of max. 300 V, USA UL: 480 / 277 V. An isolating transformer must be used for supply networks which exceed this value! In case of non-compliance the control is not longer considered to be a PELV circuit.
- With existing or newly wired circuits the person installing the units or machines must ensure that the PELV requirements are met.
- For drive converters that are not isolated from the supply circuit (in accordance with [EN 60721-3-2](#)) all control lines must be included in other protective measures (e.g. double insulation or shielded, earthed and insulated).
- When using components without isolated inputs/outputs, it is necessary that equipotential bonding exists between the components to be connected (e.g. by the equipotential line). Disregard can cause destruction of the components by equalizing currents.

1.4.1 EMC-compatible installation

Observance of the limit values required by EMC law is the responsibility of the customer.



Notes on EMC-compatible installation can be found here.
www.keb.de/fileadmin/media/Manuals/dr/emv/0000neb0000.pdf



1.4.2 Voltage test

Testing with AC voltage (in accordance with [EN 60204-1](#) chapter 18.4) may not be executed, since there is danger for the power semiconductors in the drive controller.



Due to the radio interference suppression capacitors, the test generator will switch off immediately with a current fault.



According to [EN 60204-1](#) it is permissible to disconnect already tested components. Drive controllers of the KEB Automation KG are delivered ex works voltage tested to 100% according to product standard.

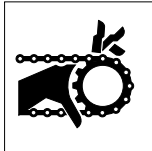
1.4.3 Insulation measurement

An insulation measurement (in accordance with [EN 60204-1](#) chapter 18.3) with DC 500 V is permissible, if all power unit connections (grid-connected potential) and all control connections are bridged with PE. The insulation resistance of the respective device can be found in the technical data.

1.5 Start-up and operation

The start-up (i.e. for the specified application) is forbidden until it is determined that the installation complies with the machine directive; account is to be taken of [EN 60204-1](#).

⚠ WARNING



Software protection and programming!

Hazards caused by unintentional behavior of the drive!

- ▶ Check especially during initial start-up or replacement of the drive controller if parameterization is compatible to application.
- ▶ Securing a unit solely with software-supported functions is not sufficient. It is imperative to install external protective measures (e.g. limit switch) that are independent of the drive controller.
- ▶ Secure motors against automatic restart.

⚠ CAUTION



High temperatures at heat sink and coolant!

Burning of the skin!

- ▶ Cover hot surfaces safe-to-touch.
- ▶ If necessary, attach warning signs on the system.
- ▶ Before touching, check the surface and coolant lines.
- ▶ Before working let the unit cool down.

- During operation, all covers and doors shall be kept closed.
- Use only approved accessories for this device.
- Never touch terminals, busbars or cable ends.

⚠ CAUTION



High sound level during operation!

Hearing damage possible!

- ▶ Wear hearing protection!

NOTICE

Continuous operation (S1) with load > 60 % or from a rated motor power of 55 kW!

Premature ageing of the electrolytic capacitors!

- ▶ Mains choke with $U_k = 4\%$ absolutely necessary.

Switching at the output

Switching between motor and drive controller is prohibited for single drives during operation as this may trigger the protection gear of the device. Function ‚speed search‘ must be activated if switching can not be avoided. Speed search may only be triggered after closing the motor contactor (e.g. by switching the control release).

Connecting and disconnecting is permissible with multiple motor drives if at least 1 motor is running during the switch-over process. The drive controller must be dimensioned to the occurring starting currents.

The ‚speed search‘ function must be activated if the motor is still running during a restart of the drive controller (mains on) (e.g. due to large rotating masses).

Switching at the input

For applications that require cyclic switching off and on of the drive controller, maintain an off-time of at least 5 min after the last switch on. If you require shorter cycle times please contact KEB Automation KG.

Short-circuit resistance

The drive converters are conditional short-circuit proof. After resetting the internal protection devices, the function as directed is guaranteed.

Exceptions:

- If an earth-leakage fault or short-circuit often occurs at the output, this can lead to a defect in the unit.
- If a short-circuit occurs during regenerative operation (2nd or 4th quadrant, regeneration into the DC link), this can lead to a defect in the unit.

1.6 Maintenance

The following maintenance work has to be carried out when required, but at least once per year by authorized and trained personnel. Check unit for loose screws and plugs and tighten if necessary.

- ▶ Check system for loose screws and plugs and tighten if necessary.
- ▶ Clean drive controller from dirt and dust deposits. Pay attention especially to cooling fins and protective grid of the fans.
- ▶ Examine and clean extracted air filter and cooling air filter of the control cabinet.
- ▶ Check the function of the fans of the drive controller. The fan must be replaced in case of audible vibrations or squeak.
- ▶ In the case of liquid-cooled drive controllers a visual test of the cooling circuit for leaks and corrosion must be carried out. The cooling circuit must be completely empty if a unit shall be switched off for a longer period. The cooling circuit must be blown out additionally with compressed air at temperatures below 0°C.

1.8 Repair

In case of malfunction, unusual noises or smells inform a person in charge!

DANGER



Unauthorized exchange, repair and modifications!

Unpredictable malfunctions!

- ▶ The function of the drive controller is dependent on its parameterization. Never replace without knowledge of the application.
- ▶ Modification or repair is permitted only by KEB Automation KG authorized personnel.
- ▶ Only use original manufacturer parts.
- ▶ Infringement will annul the liability for resulting consequences.

In case of failure, please contact the machine manufacturer. Only the machine manufacturer knows the parameterisation of the used drive controller and can provide an appropriate replacement or induce the maintenance.

1.7 Disposal

Electronic devices of the KEB Automation KG are exclusively professional devices for further industrial processing (so-called B2B devices).

Manufacturers of B2B devices are obliged to take back and recycle devices manufactured after 14.08.2018. These devices may not be disposed at the collection centres of public sector disposal organisations.



If no deviating agreement has been made between the customer and KEB or no deviating mandatory legal regulation exists, KEB products marked in this way can be returned. Company and keyword to the return point can be taken from the list below. Shipping costs are paid by the customer. Thereupon the devices will be professionally recycled and disposed.

The entry numbers are listed country-specific in the following table. The corresponding KEB return addresses can be found on our website.

Withdrawal by	WEEE-Reg.-No.	Keyword
Austria		
KEB Automation GmbH	ERA: 51976	Stichwort „Rücknahme WEEE“
France		
RÉCYLUM - Recycle point	ADEME: FR021806	Mots clés „KEB DEEE“
Germany		
KEB Automation KG	EAR: DE12653519	Stichwort „Rücknahme WEEE“
Italy		
COBAT	AEE: (IT) 19030000011216	Parola chiave „Ritiro RAEE“
Spain		
KEB Automation KG	RII-AEE 7427	Palabra clave „Retirada RAEE“
Česko		
KEB Automation KG	RETELA 09281/20 ECZ	Klíčové slovo: Zpětný odběr OEEZ
Slowakei		
KEB Automation KG	ASEKOL: RV22EEZ0000421	Klíčové slovo: "Spätný odber OEEZ"

The packaging must be feed to paper and cardboard recycling.

2 Produktbeschreibung

Bei der Gerätereihe COMBIVERT F6 handelt es sich um Antriebsstromrichter mit Funktionaler Sicherheit, die für den Betrieb an synchronen und asynchronen Motoren optimiert sind.

Es stehen diverse Sicherheitsfunktionen für verschiedene Anwendungen zur Verfügung. Durch ein Feldbusmodul kann er an unterschiedlichen Feldbussystemen betrieben werden. Die Steuerkarte verfügt über ein systemübergreifendes Bedienkonzept.

Der COMBIVERT erfüllt die Anforderungen der Maschinenrichtlinie. Die möglichen Funktionen sind über eine Bauartprüfung zertifiziert.

Der COMBIVERT ist ein Produkt mit eingeschränkter Erhältlichkeit nach [EN 61800-3](#). Dieses Produkt kann im Wohnbereich Funkstörungen verursachen. In diesem Fall kann es für den Betreiber erforderlich sein, entsprechende Maßnahmen durchzuführen.

Es sind die Maschinenrichtlinie, EMV-Richtlinie, Niederspannungsrichtlinie sowie weitere Richtlinien und Verordnungen zu beachten.

2.1 Bestimmungsgemäßer Gebrauch

Der COMBIVERT dient ausschließlich zur Steuerung und Regelung von Drehstrommotoren. Er ist zum Einbau in elektrische Anlagen oder Maschinen bestimmt.

Die technischen Daten sowie die Angaben zu Anschlussbedingungen sind dem Typenschild und der Gebrauchsanleitung zu entnehmen und unbedingt einzuhalten.

Die bei der KEB Automation KG eingesetzten Halbleiter und Bauteile sind für den Einsatz in industriellen Produkten entwickelt und ausgelegt.

Einschränkung

Wenn das Produkt in Maschinen eingesetzt wird, die unter Ausnahmebedingungen arbeiten, lebenswichtige Funktionen, lebenserhaltende Maßnahmen oder eine außergewöhnliche Sicherheitsstufe erfüllen, ist die erforderliche Zuverlässigkeit und Sicherheit durch den Maschinenbauer sicherzustellen und zu gewährleisten.

2.1.1 Restgefahren

Trotz bestimmungsgemäßen Gebrauch kann der Antriebsstromrichter im Fehlerfall, bei falscher Parametrierung, durch fehlerhaften Anschluss oder nicht fachmännische Eingriffe und Reparaturen unvorhersehbare Betriebszustände annehmen. Dies können sein:

- Falsche Drehrichtung
- Zu hohe Motordrehzahl
- Motor läuft in die Begrenzung
- Motor kann auch im Stillstand unter Spannung stehen
- Automatischer Anlauf

2.2 Nicht bestimmungsgemäßer Gebrauch

Der Betrieb anderer elektrischer Verbraucher ist untersagt und kann zur Zerstörung der Geräte führen. Der Betrieb unserer Produkte außerhalb der in den technischen Daten angegebenen Grenzwerte führt zum Verlust jeglicher Schadensersatzansprüche.

2.3 Product features

These instructions for use describe the power units of the following devices:

Device type:	Drive controller
Series:	COMBIVERT F6
Power range:	90 kW / 400V
Housing	6 High Speed Drive

Der COMBIVERT F6 zeichnet sich durch die folgenden Merkmale aus:

- Betrieb von Drehstromasynchronmotoren und Drehstromsynchronmotoren, jeweils in den Betriebsarten gesteuert oder geregelt mit und ohne Drehzahlrückführung
- Folgende Feldbussysteme werden unterstützt:
EtherCAT, VARAN, PROFINET, POWERLINK oder CAN
- Systemübergreifendes Bedienkonzept
- Großer Betriebstemperaturbereich
- Geringe Schaltverluste durch IGBT-Leistungsteil
- Geringe Geräusentwicklung durch hohe Schaltfrequenzen
- Verschiedene Kühlkörperkonzepte
- Temperaturgesteuerte Lüfter, leicht austauschbar
- Zum Schutz von Getrieben sind Momentengrenzen sowie S-Kurven einstellbar
- Generelle Schutzfunktionen der COMBIVERT Serie gegen Überstrom, Überspannung, Erdschluss und Übertemperatur
- Analoge Ein- und Ausgänge, digitale Ein- und Ausgänge, Relaisausgang (potentialfrei), Bremsenansteuerung und -versorgung, Motorschutz durch I²t, KTY- oder PTC-Eingang, zwei Geberschnittstellen, Diagnoseschnittstelle, Feldbusschnittstelle (abhängig von der Steuerkarte)
- Integrierte Sicherheitsfunktion nach [EN 61800-5-2](#)

2.4 Part code



xx F6 xxx-x xxx

Heat sink version	1: Air-cooler, mounted version
	2: Liquid cooler (water), mounted version
	3: Air-cooler, through-mount version IP54-ready
	4: Liquid cooler (water), through-mount version IP54-ready
	5: Air-cooler, through-mount version IP20
	6: Liquid cooler (water), trough-mount version IP54-ready, sub-mounted braking resistors
	7: Liquid cooler (oil), through-mount version IP54-ready
	9: Liquid cooler (water), mounted version, sub-mounted braking resistors
	A: Liquid cooler (water), mounted version, High Performance, sub-mounted braking resistors
	B: Liquid cooler (water), through-mount version, IP54-ready, High Performance, sub-mounted braking resistors
	C: Air-cooler, mounted version, Version 2
	D: Air-cooler, mounted version, High-Performance
	E: Liquid cooler (water), mounted version, High-Performance
	F: Air-cooler, through-mount version IP54-ready, High-Performance
G: Liquid cooler (water), trough-mount version IP54-ready, High-Performance	
H: Air-cooler,, Convektion, trough-mount version IP54-ready	
Control board variant	APPLIKATION
	1: Multi Encoder Interface, CAN ^{® 2)} , Real-Time Ethernet-busmodule ³⁾
	B Multi Encoder Interface, CAN ^{® 2)} , Real-Time Ethernet-busmodule ³⁾ , Alternative connector
	KOMPAKT
	1: Multi Encoder Interface, CAN ^{® 2)} , STO, EtherCAT ^{® 1)}
	2: Multi Encoder Interface, CAN ^{® 2)} , STO, VARAN
	PRO
	0: No Encoder, CAN ^{® 2)} , Real-Time Ethernetinterface ³⁾
	1: Multi Encoder Interface, CAN ^{® 2)} , Real-Time Ethernet interface ³⁾
	3: Multi Encoder Interface, CAN ^{® 2)} , Real-Time Ethernet interface ³⁾ , RS485-potential free
	4: No Encoder, CAN ^{® 2)} , Real-Time Ethernetinterface ³⁾ , safe relay
	5: Multi Encoder Interface, CAN ^{® 2)} , Real-Time Ethernet interface ³⁾ , safety relay
B: Multi Encoder Interface, CAN ^{® 2)} , Real-Time Ethernet interface ³⁾ , alternative connector	

continued on the next page

x x	F 6	x	x	x	-x	x	x	x
		Switching frequency, Software current limit, Turn-off current		0: 2 kHz / 125% / 150%	8: 2 kHz / 180% / 216%			
				1: 4 kHz / 125% / 150%	9: 4 kHz / 180% / 216%			
				2: 8 kHz / 125% / 150%	A: 8 kHz / 180% / 216%			
				3: 16 kHz / 125% / 150%	B: 8 kHz / HSD			
				4: 2 kHz / 150% / 180%	C: 6 kHz / HSD			
				5: 4 kHz / 150% / 180%	Non standard switching			
				6: 8 kHz / 150% / 180%	D: frequency / Overload			
				7: 16 kHz / 150% / 180%	characteristic			
				E: Special Device				
		Voltage/ Connection type		1: 3ph 230V AC/DC with braking transistor				
				2: 3ph 230V AC/DC without braking transistor				
				3: 3ph 400V AC/DC with braking transistor				
				4: 3ph 400V AC/DC without braking transistor				
				A: 3ph 400V AC/DC incl. GTR7 / max. rectifier / max. pre-charging				
				B: 3ph 400V AC/DC without GTR7 / max. rectifier / max. pre-charging				
				C: 3ph 400V AC/DC. GTR7-variant 2				
				D: 3ph 400V AC/DC GTR7-variant 2 / max. rectifier / max. pre-charging				
		Housing		2...9				
		Equipment		1: Safety module type 1/STO at control type K				
				3: Safety module type 3				
				4: Safety module type 4				
				5: Safety module type 5				
		Control type		A: APPLICATION				
				K: COMPACT				
				P: PRO				
		Series		COMBIVERT F6				
		Inverter size		10...33				

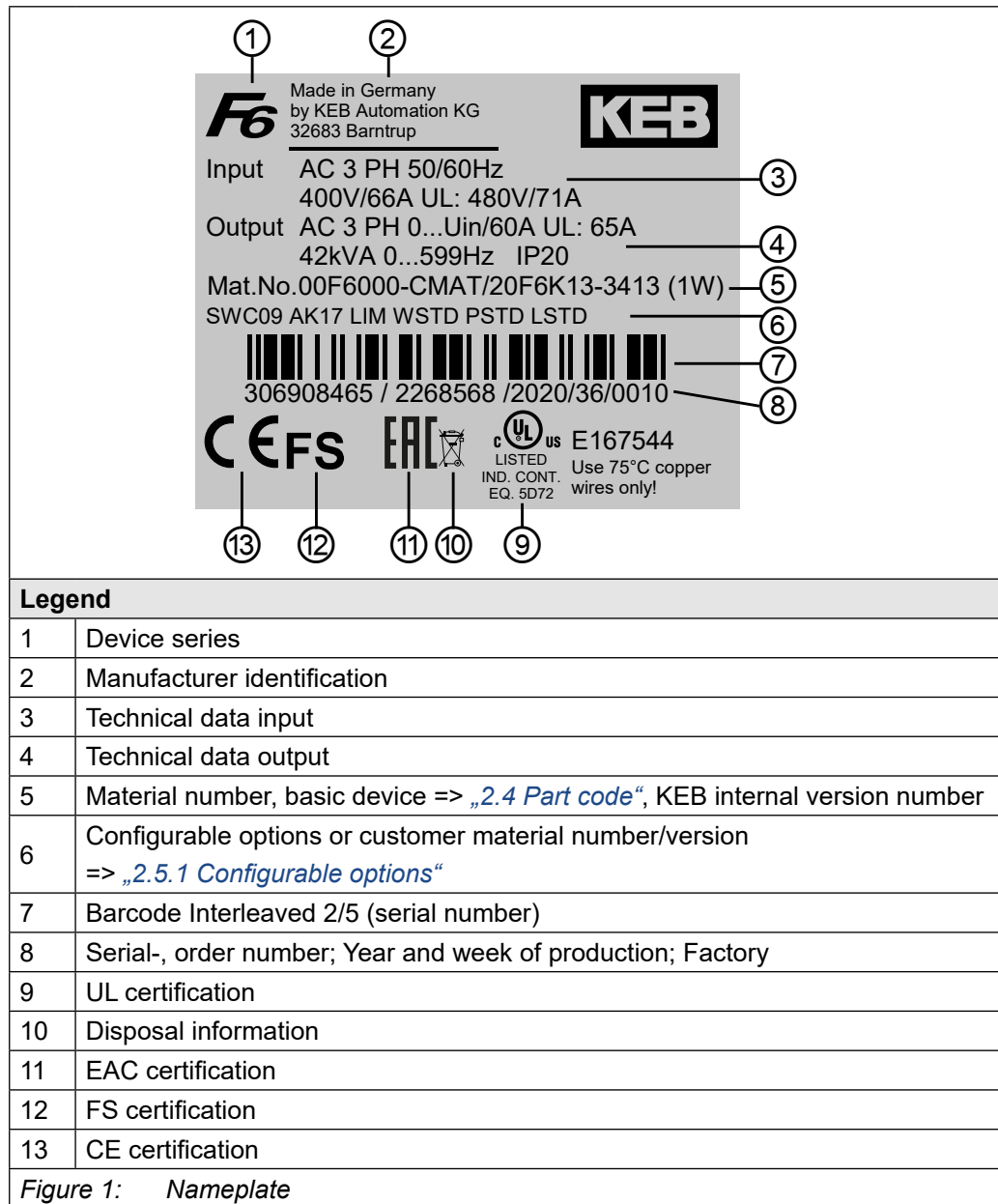
Table 1: Part code

- 1)  EtherCAT® is registered trademark and patented technology, licensed by Beckhoff Automation GmbH, Germany
- 2)  CANopen® is registered trademark of CAN in AUTOMATION - International Users and Manufacturers Group e.V.
- 3) The Real-Time Ethernetbusmodul / Real-Time Ethernet interface contains various fieldbus control types which can be adjusted by software (parameter fb68)



The part code may not be used as order code, but only for identification!

2.5 Nameplate



2.5.1 Configurable options

Features	Feature values	Description
Software	SWxxx ¹⁾	Software status of the drive converter
Accessories	Axxx ¹⁾	Selected accessories
	NAK	No accessories
Output frequency activation	LIM	Limitation to 599 Hz
	ULO	> 599Hz activated
Warranty	WSTD	Warranty - Standard
	Wxxx ¹⁾	Warranty extension
Parameterization	PSTD	Parameterization - Standard
	Pxxx ¹⁾	Parameterization - Customer-specific
Nameplate logo	LSTD	Logo - Standard
	Lxxx ¹⁾	Logo - Customer-specific
<i>Figure 2: Configurable options</i>		

¹⁾ „x“ indicates a variable value

3 Technical data

Unless otherwise indicated, all electrical data in the following chapter refer to a 3-phase AC mains.

3.1 Operating conditions

3.1.1 Climatic environmental conditions

Storage		Standard	Class	Descriptions
Ambient temperature		EN 60721-3-1	1K4	-25...55 °C
Relative humidity		EN 60721-3-1	1K3	5...95 % (without condensation)
Storage height		–	–	Max. 3000 m above sea level
Transport		Standard	Class	Descriptions
Ambient temperature		EN 60721-3-2	2K3	-25...70 °C
Relative humidity		EN 60721-3-2	2K3	95 % at 40 °C (without condensation)
Operation		Standard	Class	Descriptions
Ambient temperature		EN 60721-3-3	3K3	5...40 °C (extended to -10...45 °C)
Coolant inlet temperature	Air	–	–	–
	Water ¹⁾	–	–	5...55 °C
Relative humidity		EN 60721-3-3	3K3	5...85 % (without condensation)
Version and degree of protection		EN 60529	IP20	Protection against foreign material > ø12.5 mm No protection against water Non-conductive pollution, occasional condensation when PDS is out of service. Drive controller generally, except power connections and fan unit (IPxxA)
Site altitude		–	–	Max. 2000 m above sea level • With site altitudes over 1000 m a derating of 1 % per 100 m must be taken into consideration. • With site altitudes over 2000 m, the control board to the mains has only basic isolation. Additional measures must be taken when wiring the control.

Table 2: Climatic environmental conditions

¹⁾ Observe the notes on the coolant => „6.1.3 Requirements for the coolant“

3.1.2 Mechanical environmental conditions

Storage		Standard	Class	Descriptions
Vibration limits		EN 60721-3-1	1M2	Vibration amplitude 1.5 mm (2...9Hz) Acceleration amplitude 5 m/s ² (9...200Hz)
Shock limit values		EN 60721-3-1	1M2	40 m/s ² ; 22 ms
Transport		Standard	Class	Descriptions
Vibration limits		EN 60721-3-2	2M1	Vibration amplitude 3.5 mm (2...9Hz) Acceleration amplitude 10 m/s ² (9...200Hz) (Acceleration amplitude 15 m/s ² (200...500 Hz)) ¹⁾
Shock limit values		EN 60721-3-2	2M1	100 m/s ² ; 11 ms
Operation		Standard	Class	Descriptions
Vibration limits		EN 60721-3-3	3M4	Vibration amplitude 3.0 mm (2...9Hz) Acceleration amplitude 10 m/s ² (9...200Hz)
		EN 61800-5-1	–	Vibration amplitude 0.075 mm (10...57 Hz) Acceleration amplitude 10 m/s ² (57...150 Hz)
Shock limit values		EN 60721-3-3	3M4	100 m/s ² ; 11 ms
Pressure in the water cooler		–	–	Rated operating pressure: 10 bar Max. operating pressure: 10 bar

Table 3: Mechanical environmental conditions

¹⁾ Not tested

3.1.3 Chemical / mechanical active substances

Storage		Standard	Class	Descriptions
Contamination	Gases	EN 60721-3-1	1C2	–
	Solids		1S2	–
Transport		Standard	Class	Descriptions
Contamination	Gases	EN 60721-3-2	2C2	–
	Solids		2S2	–
Operation		Standard	Class	Descriptions
Contamination	Gases	EN 60721-3-3	3C2	–
	Solids		3S2	–

Table 4: Chemical / mechanical active substances

3.1.4 Electrical operating conditions

3.1.4.1 Device classification

Requirement	Standard	Class	Descriptions
Overtoltage category	EN 61800-5-1	III	–
Pollution degree	EN 60664-1	2	Non-conductive pollution, occasional condensation when PDS is out of service

Table 5: Device classification

3.1.4.2 Electromagnetic compatibility

For devices without an internal filter, an external filter is required to comply with the following limits.

EMC emitted interference	Standard	Class	Descriptions
Conducted interference emission	EN 61800-3	C2 / C3	The specified value is only maintained in conjunction with a filter. Information on interference suppression (max. switching frequency, cable length) can be found in the corresponding filter instructions
Radiated interferences	EN 61800-3	C3	–
Interference immunity	Standard	Level	Descriptions
Static discharges	EN 61000-4-2	8 kV 4 kV	AD (air discharge) CD (contact discharge)
Burst - Ports for process measurement control lines and signal interfaces	EN 61000-4-4	2 kV	–
Burst - AC - Power ports	EN 61000-4-4	4 kV	–
Surge - Power ports	EN 61000-4-5	1 kV 2 kV	Phase-phase Phase-ground
Conducted immunity, induced by high-frequency fields	EN 61000-4-6	10 V	0.15...80 MHz
Electromagnetic fields	EN 61000-4-3	10 V/m 3 V/m 1 V/m	80 MHz...1 GHz 1.4...2 GHz 2...2.7 GHz
Voltage fluctuations/ voltage dips	EN 61000-2-1 EN 61000-4-34	–	-15 %...+10 % Class 3
Frequency changes	EN 61000-2-4	–	≤ 2 %
Voltage deviations	EN 61000-2-4	–	±10 %
Voltage unbalances	EN 61000-2-4	–	≤ 3 %

Table 6: Electromagnetic compatibility

3.2 Device data of the High Speed Drive devices

3.2.1 Overview of the High Speed Drive device data

The technical data are for 2/4-pole standard motors. With other pole numbers the drive controller must be dimensioned onto the rated motor current. Contact KEB for special or medium frequency motors.

Device size		24
Housing		6
Rated apparent output power	S_{out} / kVA	125
Max. rated motor power	¹⁾ P_{mot} / kW	90
Rated input voltage	U_N / V	400 (UL: 480)
Input voltage range	U_{in} / V	280...550
Mains phases		3
Mains frequency	f_N / Hz	50 / 60 \pm 2
Rated input current @ $U_N = 400\text{V}$	I_{in} / A	189
Rated input current @ $U_N = 480\text{V}$	I_{in_UL} / A	162
Insulation resistance @ $U_{dc} = 500\text{V}$	$R_{iso} / \text{M}\Omega$	> 20
Output voltage	U_{out} / V	0... U_{in}
Output frequency	²⁾ f_{out} / Hz	0...599 (0...2000)
Output phases		3
Rated output current @ $U_N = 400\text{V}$	I_N / A	180
Rated output current @ $U_N = 480\text{V}$	I_{N_UL} / A	156
Rated output overload (60s)	^{3) 4)} $I_{60s} / \%$	125
Software current limit	³⁾ $I_{lim} / \%$	125
Overcurrent	³⁾ $I_{OC} / \%$	150
Rated switching frequency	f_{SN} / kHz	8
Max. switching frequency	⁵⁾ f_{S_max} / kHz	16
Power dissipation at rated operation	¹⁾ P_D / W	2449
Overload current over time	³⁾ $I_{OL} / \%$	=> „3.2.3.1 Overload characteristic (OL)“
Maximum current 0Hz/100Hz at $f_s = 2 \text{ kHz}$	$I_{out_max} / \%$	111 / 150
Maximum current 0Hz/100Hz at $f_s = 4 \text{ kHz}$	$I_{out_max} / \%$	86 / 150
Maximum current 0Hz/100Hz at $f_s = 8 \text{ kHz}$	$I_{out_max} / \%$	56 / 150
Maximum current 0Hz/100Hz at $f_s = 16 \text{ kHz}$	$I_{out_max} / \%$	31 / 150
<i>continued on the next page</i>		

Device size		24
Housing		6
Max. braking current	I_{B_max} / A	168
Min. braking resistor value	R_{B_min} / Ω	5
Braking transistor		Max. cycle time: 120s; Max c.d.f.: 50 %
Protective function for braking transistor		Short-circuit monitoring
Protective function braking resistor (Error GTR7 always on)	⁶⁾	Feedback signal evaluation and current cut-off
Max. motor cable length shielded	⁷⁾ // m	100
<i>Table 7: Overview of the HSD device data</i>		

- ¹⁾ Rated operation corresponds to $U_N = 400V$, rated switching frequency, output frequency = 50Hz (4-pole standard asynchronous motor).
- ²⁾ The output frequency is to be limited in such a way that it does not exceed 1/10 of the switching frequency. Notice! Devices with a maximum output frequency higher than 599Hz are subject to export restrictions.
- ³⁾ The values refer in % to the rated output current I_N .
- ⁴⁾ Observe limitations „3.2.3.1 Overload characteristic (OL)“.
- ⁵⁾ A detailed description of the derating „3.3.1 Switching frequency and temperature“.
- ⁶⁾ The feedback signal evaluation monitors the functionality of the braking transistor. The current is switched off via the internal mains input bridge of the AC supply.
- ⁷⁾ The maximum cable length depends on various factors. Further information can be found in the corresponding filter instructions.

3.2.2 Voltage and frequencies for 400V devices

Input voltages and frequencies		
Rated input voltage	U_N / V	400
Rated mains voltage (USA)	U_{N_UL} / V	480
Input voltage range	U_{IN} / V	280...550
Input phases		3
Mains frequency	f_N / Hz	50/60
Mains frequency tolerance	f_N / Hz	± 2
<i>Table 8: Input voltages and frequencies of the 400V devices</i>		

DC link voltage		
DC link rated voltage @ $U_N = 400V$	U_{N_dc} / V	565
DC link rated voltage @ $U_{N_UL} = 480V$	$U_{N_UL_dc} / V$	680
DC link voltage working voltage range	U_{IN_dc} / V	390...780
<i>Table 9: DC link voltage for 400V devices</i>		

Output voltages and frequencies		
Output voltage at AC supply	¹⁾ U_{out} / V	0... U_{N_ac}
Output frequency	²⁾ f_{out} / Hz	0...599 (0...2000)
Output phase		3

Table 10: Output voltages and frequencies of the 400V devices

- ¹⁾ The voltage to the motor is dependent on the actual input voltage and the control method („3.2.2.1 Example of the calculation of the possible motor voltage:“).
- ²⁾ The output frequency is to be limited in such a way that it does not exceed 1/10 of the switching frequency. Devices with a maximum output frequency higher than 599Hz are restricted for export.

3.2.2.1 Example of the calculation of the possible motor voltage:

The motor voltage for dimensioning of the drive is depending on the used components. The motor voltage reduces according to the following table:

Component	Reduction / %	Example
Mains choke U_k	4	Open-loop drive converter with mains- and motor choke at non-rigid supply system: 400 V mains voltage (100%) - 36 V reduced voltage (11%) = 356 V motor voltage
Drive converter open-loop	4	
Drive converter closed-loop	8	
Motor choke U_k	1	
Non-rigid supply system	2	

Table 11: Example of the calculation of the possible motor voltage:

3.2.3 Input and output currents/ overload

Device size		24
Rated input current @ $U_N = 400V$	¹⁾ I_{in} / A	189
Rated input current @ $U_{N_UL} = 480V$	¹⁾ I_{in_UL} / A	162
Rated output current @ $U_N = 400V$	I_N / A	180
Rated output current @ $U_{N_UL} = 480V$	I_{N_UL} / A	156
Rated output overload (60 s)	²⁾ I_{60s} / %	125
Overload current	²⁾ I_{OL} / %	=> „3.2.3.1 Overload characteristic (OL)“
Software current limit	²⁾³⁾ I_{lim} / %	125
Overcurrent	²⁾ I_{oc} / %	150

Table 12: Input and output currents of the HSD devices

- ¹⁾ The values resulting from rated operation with B6 rectifier circuit and mains choke 4% U_k .
- ²⁾ The values refer in % to the rated output current I_N .
- ³⁾ Limitation of the current setpoint in closed-loop operation. This setpoint limit is not active in v/f operation.

3.2.3.1 Overload characteristic (OL)

All drive controllers can be operated at rated switching frequency with an utilisation of 125 % for 60 s.

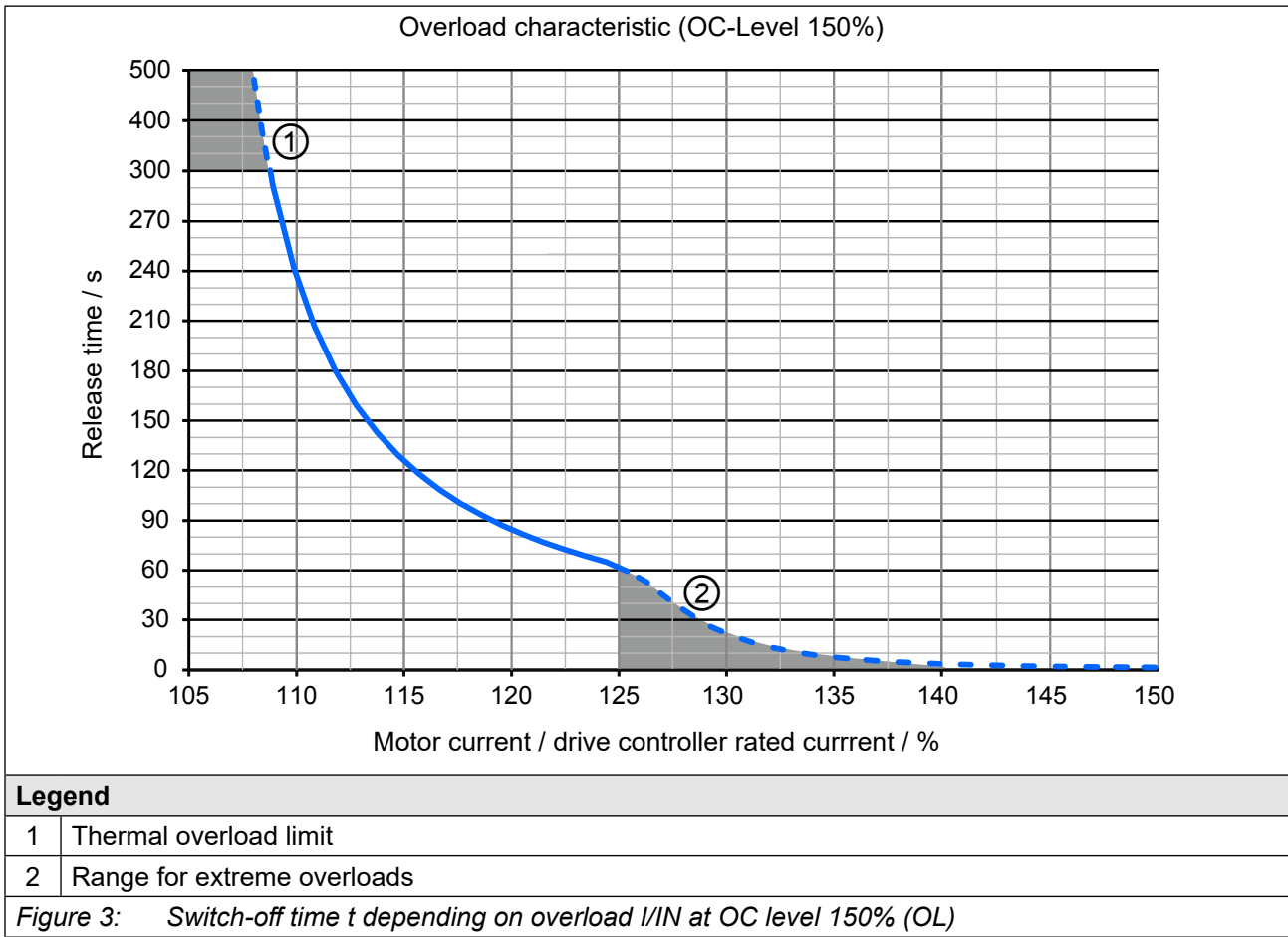
The OL overload function is a root mean square (RMS) function.

The greater the difference between the overload and underload phases, the greater the deviation of the RMS from the arithmetic mean value.

For extreme overloads (=> „*Figure 3: Switch-off time t depending on overload I/I_N at OC level 150% (OL)*“) load is weighted more heavily. This means the load is provided with a factor for the calculation of the RMS value, by way that the overload protection function triggers, even if the RMS value does not reach 100%.

Restrictions:

- The thermal design of the heat sink is based on the rated operation. The following values are taken into account: Rated output current, ambient temperature, rated switching frequency, rated voltage.
- At high ambient temperatures and/or high heat sink temperatures (for example, by preceding utilisation nearby 100%) the drive controller can change to overtemperature error before triggering the protective function OL.
- At low output frequencies or switching frequencies higher than the rated switching frequency, the frequency-dependent maximum current can be exceeded before and error OL2 can be triggered
=> „*3.2.3.2 Frequency-dependent maximum current (OL2)*“.



- On exceeding a load of 105 % the overload integrator starts.
- When falling below the integrator counts backwards.
- If the integrator reaches the overload characteristic "Error! Overload (OL)" is triggered.

After a cooling down period, the integrator can be reset now. The drive controller must remain switched on during the cooling down phase.

Operation in the range of the thermal overload limit

Due to the high steepness of the overload characteristic, the duration of a permissible overload in the range cannot be determined exactly. Therefore, the design of the drive controller should be assumed to have a maximum overload time of 300s.

3.2.3.2 Frequency-dependent maximum current (OL2)

The characteristics of the maximum currents for a switching frequency which are depending on the output frequency are different for each drive controller, but the following rules are generally applicable:

- The following applies to the rated switching frequency: at 0 Hz output frequency the drive controller can provide at least the rated output current.
- Lower maximum currents apply for switching frequencies > rated switching frequency.

If error (OL2) shall be triggered on exceeding the maximum currents or if the switching frequency is automatically reduced (derating) can be adjusted in the drive controller parameters.

The following characteristic curve indicates the permissible maximum current for the output frequency values 0 Hz, 1.5 Hz, 3 Hz, 6 Hz, 10 Hz and 25 Hz. The device size 24 is shown as an example.

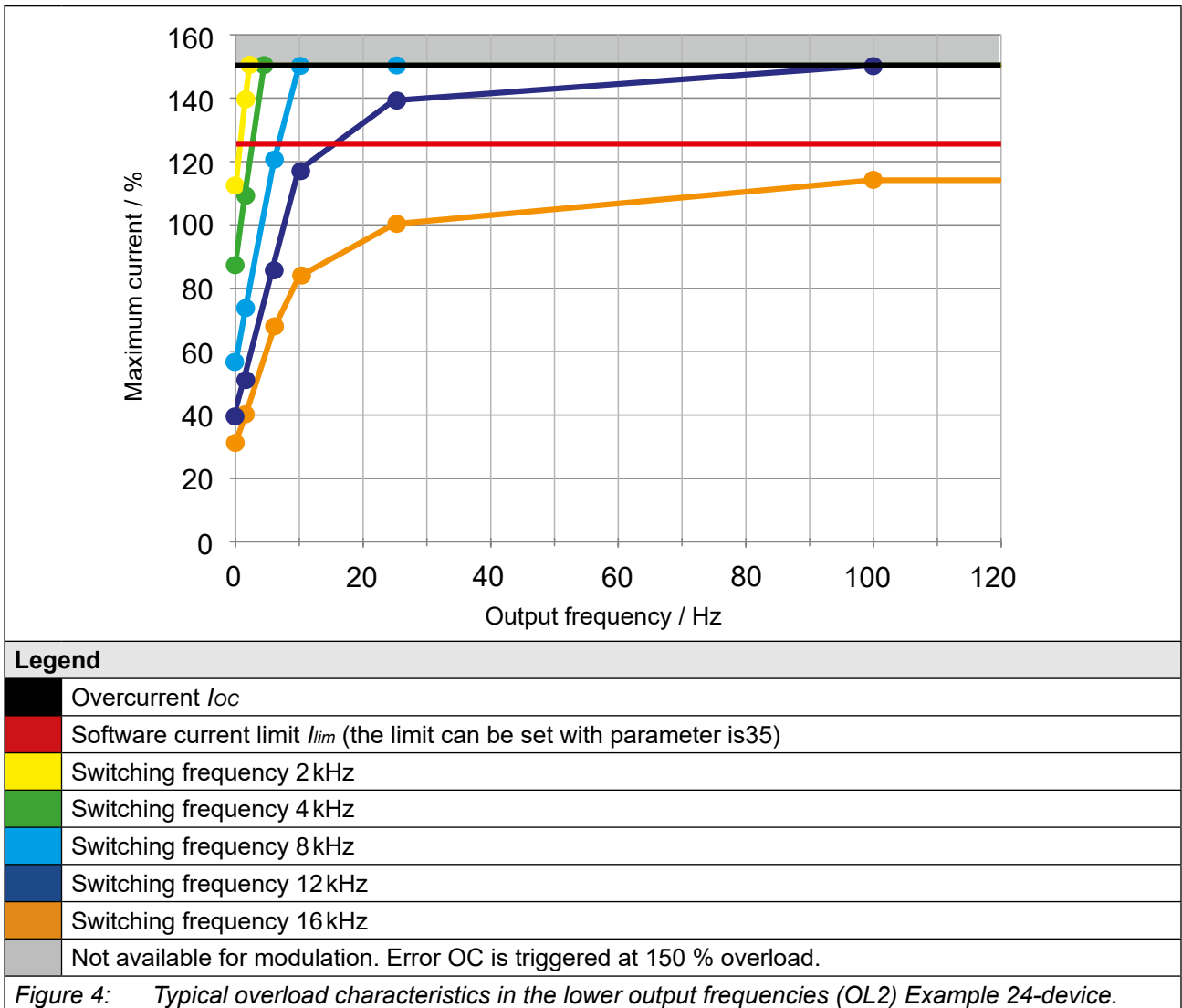


Figure 4: Typical overload characteristics in the lower output frequencies (OL2) Example 24-device.



The frequency-dependent maximum current I_{out_max} refers in % to the rated output current I_N .
 The current remains constant from the last specified output frequency value.

Device size		24					
Rated switching frequency		8 kHz					
Output frequency	f_{out} / Hz	0	1.5	6	10	25	100
Frequency-dependent maximum current @ f_s <i>$I_{out_max} / \%$</i> <i>Basic Time Period = 62.5 μs (Parameter is22=0)</i>	2 kHz	111	139	150	150	150	150
	4 kHz	86	108	150	150	150	150
	8 kHz	56	72	119	150	150	150
	16 kHz	31	39	67	83	100	114
Frequency-dependent maximum current @ f_s <i>$I_{out_max} / \%$</i> <i>Basic Time Period = 71.4 μs (Parameter is22=1)</i>	1.75 kHz	111	139	150	150	150	150
	3.5 kHz	92	116	150	150	150	150
	7 kHz	63	81	132	150	150	150
	14 kHz	35	45	76	100	119	135
Frequency-dependent maximum current @ f_s <i>$I_{out_max} / \%$</i> <i>Basic Time Period = 83.3 μs (Parameter is22=2)</i>	1.5 kHz	111	139	150	150	150	150
	3 kHz	99	124	150	150	150	150
	6 kHz	71	90	144	150	150	150
	12 kHz	40	51	86	117	139	150
Frequency-dependent maximum current @ f_s <i>$I_{out_max} / \%$</i> <i>Basic Time Period = 100 μs (Parameter is22=3)</i>	1.25 kHz	111	139	150	150	150	150
	2.5 kHz	105	131	150	150	150	150
	5 kHz	79	99	150	150	150	150
	10 kHz	48	62	103	136	150	150

Table 13: Frequency-dependent maximum current for device size 24

3.2.4 Power dissipation at rated operation for HSD devices

Device size	24
Rated switching frequency	8
Power dissipation at rated operation ¹⁾ P_D / W	2449

Table 14: Power dissipation of the HSD devices

¹⁾ Rated operation corresponds to $U_N = 400 V$; f_{SN} ; I_N ; $f_N = 50 Hz$ (typically value)

3.2.5 Fusing of the HSD devices

Device size	Max. size of the fuse / A			
	$U_N = 400V$ gG (IEC)	$U_N = 480V$ class "J"	$U_N = 480V$ gR	
	SCCR 30 kA	SCCR 10 kA	SCCR 30 kA	Type
24	250	200	200	SIBA 20 189 20.200
			200	COOPER BUSSMANN 170M1370
			200	LITTELFUSE L70QS200

Table 15: Fusing of the HSD devices



Short-circuit capacity

After requests from [EN 60439-1](#) and [EN 61800-5-1](#) the following is valid for the connection to a network: The devices are suitable for the use in a circuit capable of delivering not more than 30 kA eff. unaffected symmetrical short-circuit current.

3.3 General electrical data

3.3.1 Switching frequency and temperature

The drive controller cooling is designed by way that the heat sink overtemperature threshold is not exceeded at rated conditions. A switching frequency higher than the rated switching frequency also produces higher losses and thus a higher heat sink heating. If the heat sink temperature reaches a critical threshold (T_{DR}), the switching frequency can be reduced automatically step by step. This prevents that the drive controller switches off due to overheating of the heat sink. If the heat sink temperature falls below the threshold T_{UR} , the switching frequency is increased back to the setpoint. At temperature T_{EM} the switching frequency is immediately reduced to rated switching frequency. „Derating“ must be activated, for this function to work.

3.3.1.1 Switching frequency and temperature of the HSD devices

Device size		24
Rated switching frequency	¹⁾ f_{SN} / kHz	8
Max. switching frequency	¹⁾ f_{S_max} / kHz	16
Min. switching frequency	¹⁾ f_{S_min} / kHz	1.25
Max. heat sink temperature	T_{HS} / °C	71
Temperature for derating the switching frequency	T_{DR} / °C	61
Temperature for uprating the switching frequency	T_{UR} / °C	51
Temperature for switching to rated switching frequency	T_{EM} / °C	66

Table 16: Switching frequency and temperature of the HSD devices

¹⁾ The output frequency is to be limited in such a way that it does not exceed 1/10 of the switching frequency.

3.3.2 DC link / braking transistor function

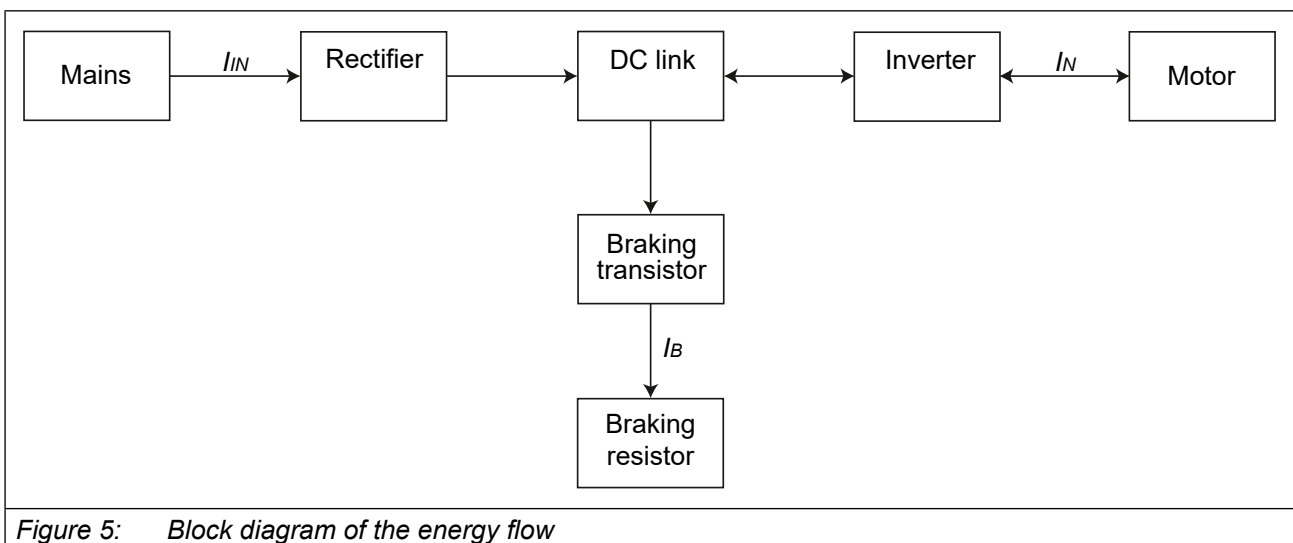
**Activation of the braking transistor function**

In order to use the braking transistor, the function must be activated with parameter "is30 braking transistor function".

For more information => [F6 Programming manual](#).

NOTICE**Falling below the minimum braking resistor value!****Destruction of the drive controller**

- ▶ The minimum brake resistance value must not fall below!

**NOTICE****Destruction of the drive controller**

If the error "ERROR GTR7 always ON" occurs, the current consumption is switched off internally via the mains input bridge of the AC supply.

- ▶ The drive controller must be electrically isolated from the supply network within 5 minutes!

GENERAL ELECTRICAL DATA

3.3.2.1 DC link / braking transistor function of the HSD devices

Device size		24
DC link rated voltage @ $U_N = 400V$	U_{N_dc} / V	565
DC link rated voltage @ $U_{N_UL} = 480V$	$U_{N_dc_UL} / V$	680
DC link voltage working voltage range	U_{in_dc} / V	390...780
DC switch-off level "Error! Underpotential"□	U_{UP} / V	240
DC switch-off level "Error! Overpotential"□	U_{OP} / V	840
DC switching level braking transistor	¹⁾ U_B / V	780
Max. braking current	I_{B_max} / A	168
Min. braking resistor value	R_{B_min} / Ω	5
Braking transistor	²⁾	Max. cycle time: 120s; Max. ED: 50%
DC switch-off level braking resistor		Short-circuit monitoring
Protective function braking resistor (Error GTR7 always on)	³⁾	Feedback signal evaluation and current cut-off
DC link capacity	$C / \mu F$	6200

Table 17: DC link / braking transistor function of the HSD devices

- ¹⁾ The DC switching level for the braking transistor is adjustable. The default value is the value specified in the table.
- ²⁾ The cyclic duration factor is additionally limited by the used braking resistor
- ³⁾ The feedback signal evaluation monitors the functionality of the braking transistor. The current is switched off via the internal mains input bridge of the AC supply.

3.3.3 Thermal continuous current

Device size		24							
Rated switching frequency	f_{SN} / kHz	8							
Switching frequency	f_s / kHz	2	4	6	8	10	12	14	16
Thermal continuous current @ $U_N = 400V$	I_{Tout_max} / A	180	180	180	180	159	140	126	115
Thermal continuous current @ $U_N = 480V$	I_{Tout_max} / A	180	180	180	156	127	112	90	80

Table 18: Thermal continuous current for device size 24

3.3.4 Fan

Device size		24
Interior fan	Number	1
	Speed-variable	yes
<i>Table 19: Fan</i>		



The fans are speed-variable. They are automatically controlled to high or low speed depending on the setting of the temperature limits in the software.

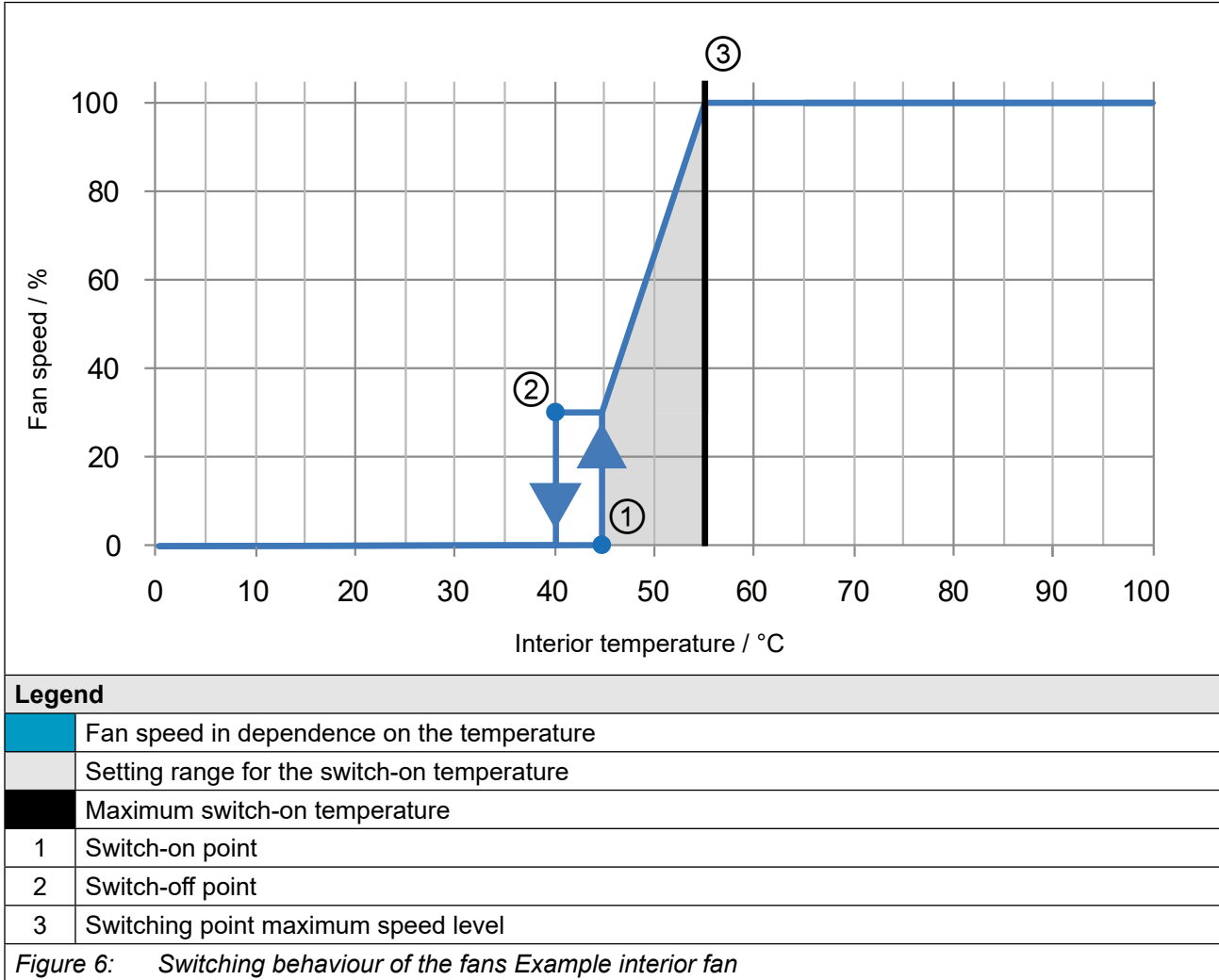
NOTICE

Destruction of the fans!

- ▶ Take care that no foreign substances drop into the fans!

3.3.4.1 Switching behaviour of the fans

The temperature monitoring controls the fans with different switching on and off points.



3.3.4.2 Switching points of the fans

The switching point for the switch-on temperature and the maximum speed level of the fans are adjustable. The following table shows the default values.

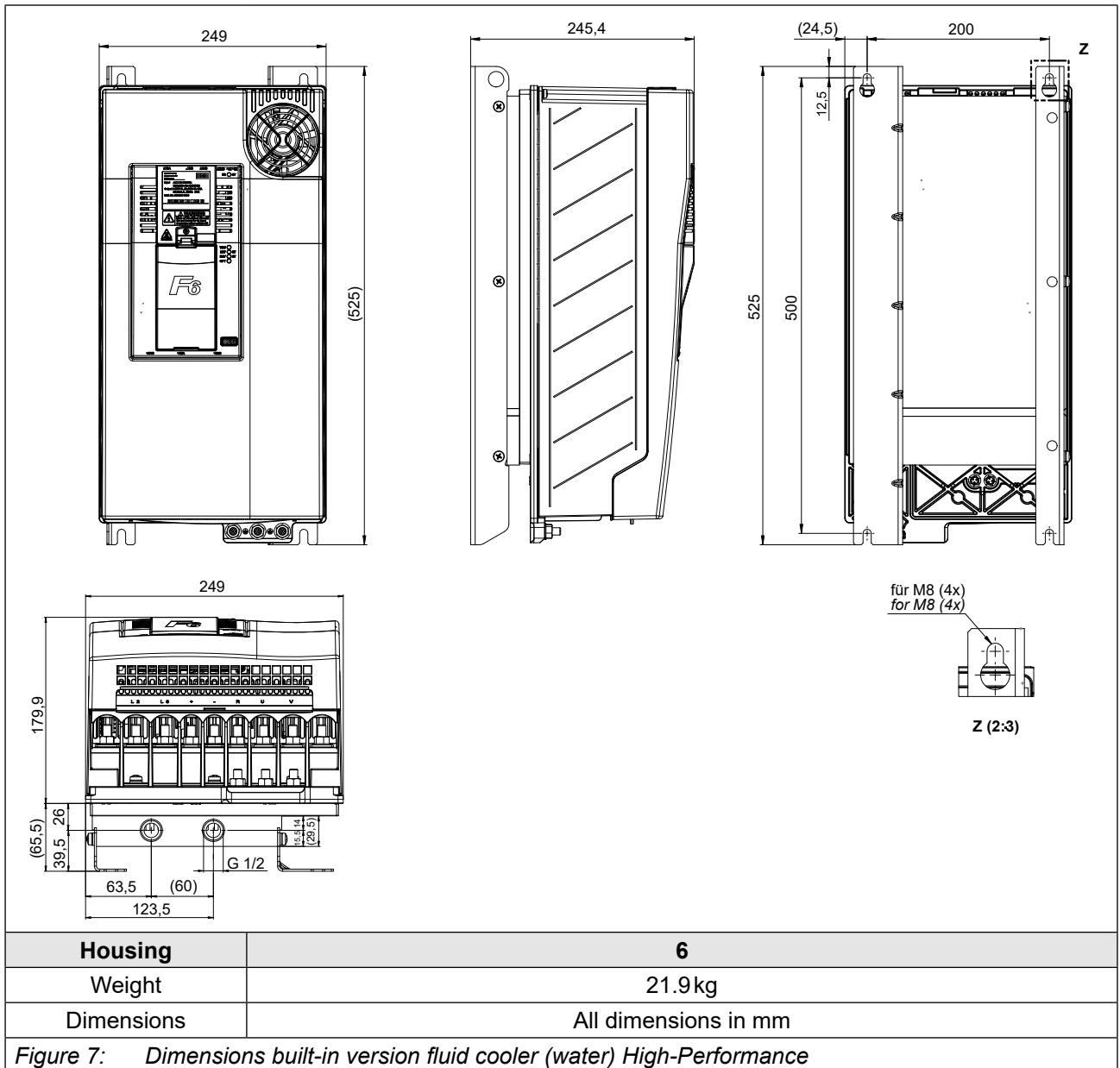
Fan		Interior
Switch-on temperature	$T / ^\circ\text{C}$	45
Maximum speed level	$T / ^\circ\text{C}$	55

Table 20: Switching points of the fans

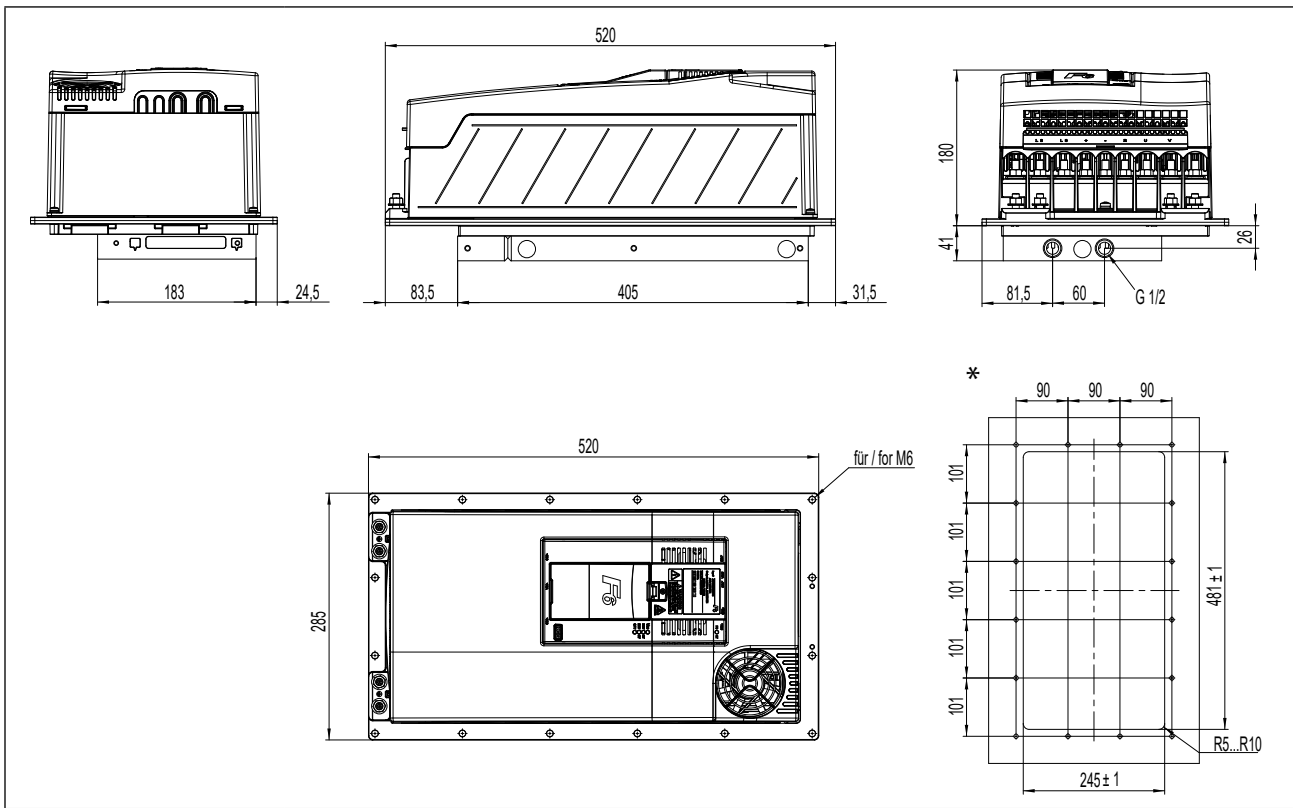
4 Installation

4.1 Dimensions and weights

4.1.1 Built-in version fluid cooler (water) High Performance



4.1.2 Push-through version fluid cooler (water) High Performance IP20, IP54-ready



Housing	6
Weight	21 kg
*	Control cabinet cut-out
Dimensions	All dimensions in mm

Figure 8: Dimensions push-through version fluid cooler (water) High-Performance IP20, IP54-ready

4.2 Control cabinet installation

4.2.1 Mounting instructions

For mounting the drive controllers, the following mounting materials were tested with the corresponding quality by KEB.

Required material	Tightening torque
Hexagon-head screw <i>ISO 4017</i> - M6 - 8.8	9 Nm 80 lb inch
Flat washer <i>ISO 7090</i> - 6 - 200 HV	—

Table 21: Mounting instructions for push-through version

NOTICE

Use of other mounting material

- ▶ The alternatively selected mounting material must comply with the above-mentioned material characteristics (quality) and tightening torques!

The use of other mounting materials is beyond KEB's control and is therefore the sole responsibility of the customer.

4.2.2 Mounting distances

Power dissipation for the control cabinet dimension „3.2.4 Power dissipation at rated operation for HSD devices“. A lower value can be used here depending on the operating mode/load.



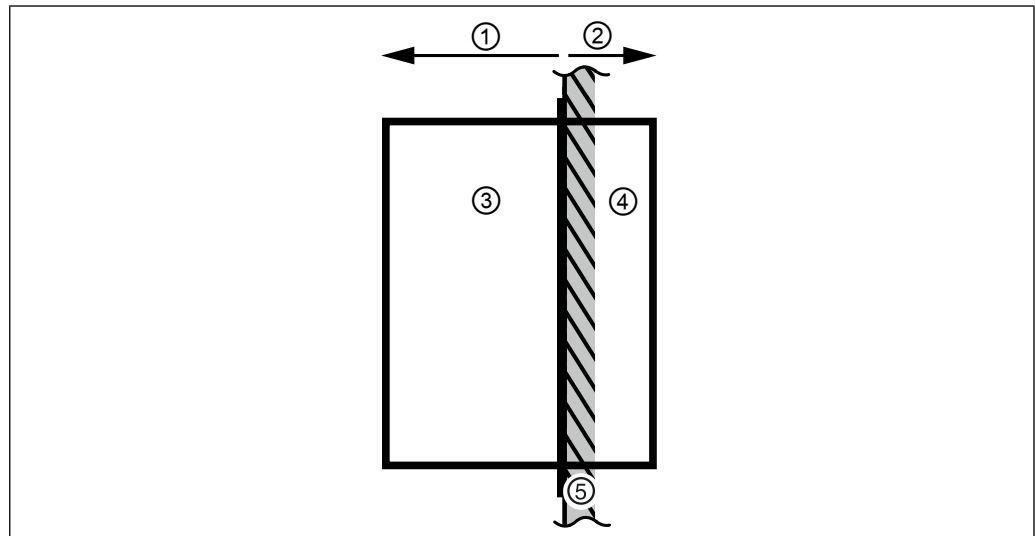
Mounting of the drive controller

For reliable operation, the drive controller must be mounted without any distance on a smooth, closed, metallicly bright mounting plate.

Mounting distances	Dimension	Distance in mm	Distance in inch
	A	150	6
	B	100	4
	C	30	1.2
	D	0	0
	E	0	0
	F ¹⁾	50	2
	¹⁾ Distance to preceding elements in the control cabinet door.		

Figure 9: Mounting distances

4.2.3 Installation of IP54-ready devices

**Legend**

1	IP20 zone inside the housing
2	IP54 zone outside the housing
3	Drive controller (power unit and control unit)
4	Drive controller (heat sink)
5	Housing (e.g. Control cabinet wall)

Figure 10: Installation of IP54-ready devices

**IP54 zone: Heat sink outside the housing**

The protection class IP54 can only be achieved when the device is properly installed.

For proper installation, a suitable IP54 seal (=> „5.3.2 Seal for IP54-ready devices“) must be installed between heat sink and housing (e.g. control cabinet wall).

The tightness must be checked after the installation. If properly installed, the separation to the housing corresponds to degree of protection IP54.

In the case of fan-cooled units, the fans must be protected from negative environmental influences.

These include combustible, oily or dangerous fumes or gases, corrosive chemicals, coarse foreign bodies and excessive dust. This applies especially to the access of the heatsink from the top (air outlet).Icing is inadmissible.

UL: Device heat sink is classified as NEMA type 1

IP20 zone: Device inside the housing

This part is intended for the installation in a suitable housing for the required degree of protection (e.g. control cabinet).

The power connections are excluded => „3.1.1 Climatic environmental conditions“.

NOTICE**Defect due to continuous splash water !**

- ▶ Never expose the device to continuous splashing water (e.g. direct exposure to rain)!

4.2.4 Control cabinet ventilation

If construction-conditioned the control cabinet cannot be without indoor ventilation, appropriate filters must avoid suction of foreign objects.

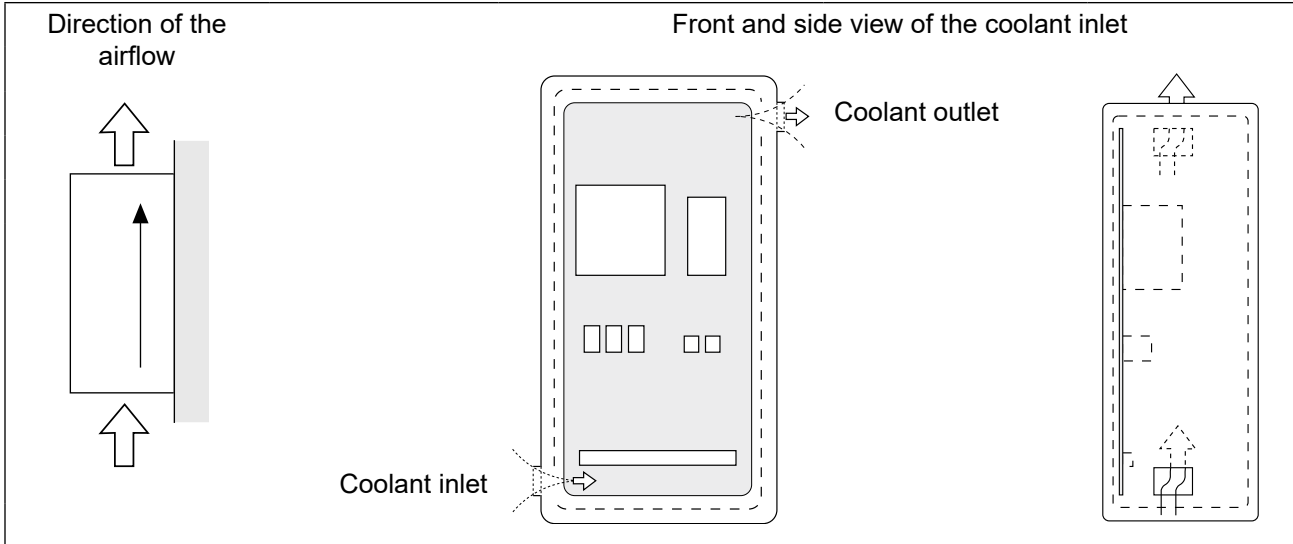
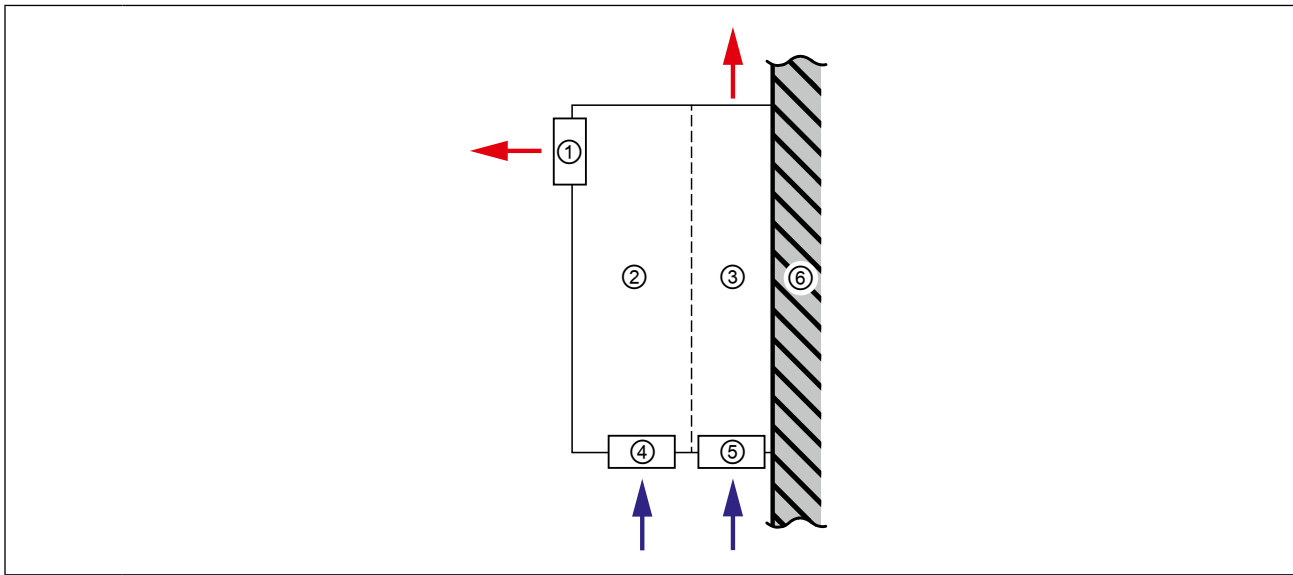


Figure 11: Control cabinet ventilation

4.2.5 Airflow of the drive converter



Legend	
	Airflow direction
1	Interior fan (from housing 4)
2	Drive converter (power unit and control)
3	Drive converter (heat sink)
4	Interior fan for (housing 2 and 3)
5	Heatsink fan
6	Housing (e.g. Control cabinet rear)

Figure 12: Airflow of the drive converter

5 Installation and connection

5.1 Overview of the COMBIVERT F6

Housing 6		No.	Name	Description
	1/6	---	Shield clamps for shielded control cables	
	2	---	LEDs (see the manual for control unit chapter "Overview") <ul style="list-style-type: none"> For control board COMPACT: FS without function. For control card APPLICATION and PRO: Status indication of the safety module 	
	3	---	Interior fan	
	4	---	Connector for the interior fan	
	5	---	Nameplate	
	7	PE	Protective earth; at connection to protective earth each terminal may be assigned only once	
	8	X1A	Power circuit terminals for: <ul style="list-style-type: none"> Mains input Braking resistor DC supply Motor connection 	
	7			
	8			
	7			

Figure 13: F6 housing 6 HSD top view

Housing 6		No.	Name	Description
		3	---	Interior fan
		7	PE	Protective earth; at connection to protective earth each terminal may be assigned only once
		8	X1A	Power circuit terminals for: <ul style="list-style-type: none"> • Mains input • Braking resistor • DC supply • Motor connection
		9	X1C	Terminal for: <ul style="list-style-type: none"> • Motor temperature monitoring • Brake control
		10	X3A	Encoder interface channel A
		11	X3B	Encoder interface channel B

Figure 14: F6 housing 6 HSD front view

Housing 6		No.	Name	Description
	1	---	Shield clamps for shielded control cables	
	3	---	Interior fan	
	12	S1	Rotary coding switch A	
	13	S2	Rotary coding switch B	
	14	X4C	Fieldbus interface (out)	
	15	X4B	Fieldbus interface (in)	
	16	X2B	Safety module	
17	X2A	Control terminal block for <ul style="list-style-type: none"> CAN bus Analog inputs and analog output Digital inputs and outputs 24 V DC voltage supply 		

Figure 15: F6 housing 6 HSD rear view with control board APPLICATION



Further information can be found in the respective control board manual.



Instructions for use COMBIVERT F6 control board COMPACT
www.keb.de/fileadmin/media/Manuals/dr/ma_dr_f6-cu-k-inst-20144795_en.pdf



Instructions for use COMBIVERT F6 control board APPLICATION
www.keb.de/fileadmin/media/Manuals/dr/ma_dr_f6-cu-a-inst-20118593_en.pdf



Instructions for use COMBIVERT F6 control board PRO
www.keb.de/fileadmin/media/Manuals/dr/ma_dr_f6-cu-p-inst-20182705_en.pdf



5.2 Connection of the power unit

NOTICE

Destruction of the drive controller!

- ▶ Never exchange mains input and motor output!

5.2.1 Connection of the voltage supply

The COMBIVERT F6 housing 6 can be supplied by mains via terminals L1, L2 and L3.

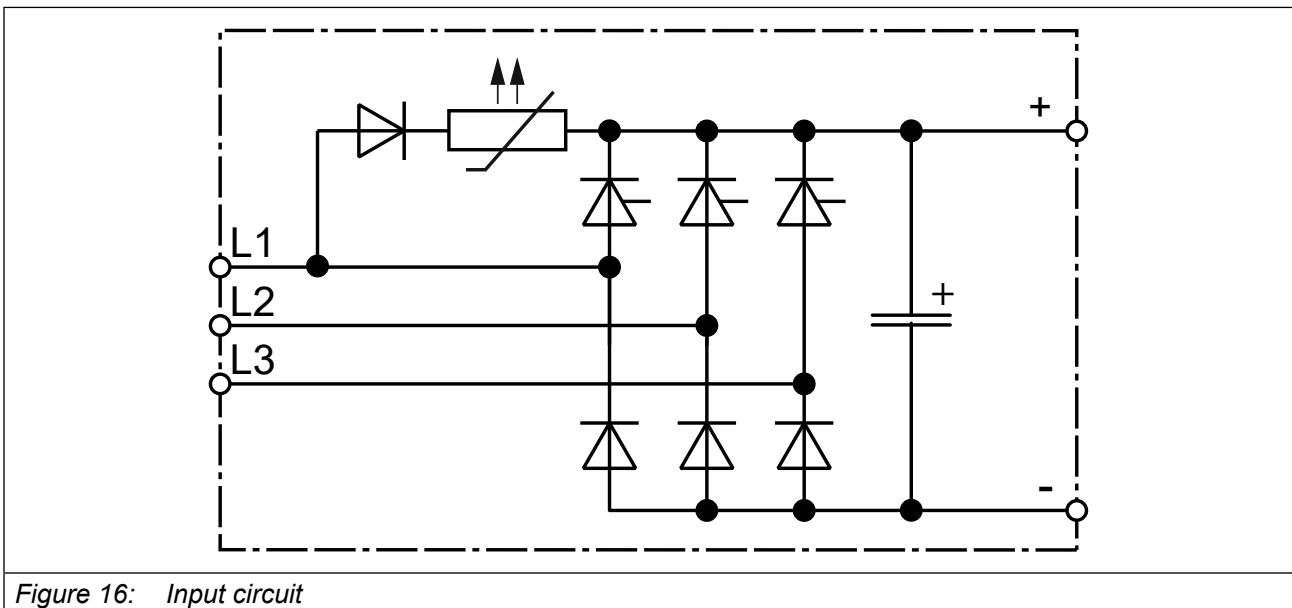


Figure 16: Input circuit



Minimum waiting period between two switch-on procedures 5 minutes!

Cyclic switching on and off of the device leads to temporary high resistance of the resistor (PTC) in the input. After the PTC has cooled down, it can be restarted without restrictions.

5.2.1.1 Terminal block X1A



Name	Function	Terminal connection	Tightening torque	Crimp connector dimension type	Max. number of conductors ¹⁾
L1	Mains connection 3-phase	8 mm stud for M8 crimp connector	10...15 Nm 88...132 lb inch	1	For IEC: 2 For UL: 2
L2					
L3					
+	DC terminals			2	
-					
R	Connection for braking resistor (between + and R)				
U	Motor connection	1			
V					
W					

Figure 17: Terminal block X1A

¹⁾ From 50mm² only one conductor permitted

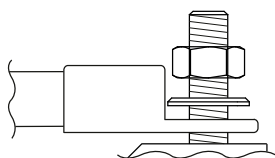
Crimp connector dimension		Type 1	Type 2
Max. width	l/mm	24	19
Max. shaft length	l/mm	46	46
Max. diameter	l/mm	19	19

Table 22: Crimp connector dimension X1A



As an alternative to a 95 mm² cable, 2 parallel 35 mm² cables can also be laid.

NOTICE



Short circuit due too low air and creepage distances!

- ▶ The pressing of the crimp connectors must point upwards when connecting 95 mm² cables!

5.2.2 Protective earth and functional earth



Protective and functional earth must not be connected to the same terminal.

5.2.2.1 Protective earth

The protective earth (PE) serves for electrical safety particularly personal protection in error case.



Electric shock due to incorrect dimensioning!

- ▶ Cross-section wire to ground should be selected according to *DIN IEC 60364-5-54!*

Name	Function	Connection type	Tightening torque
	Connection for protective earth	M8 stud with nut for M8 crimp connectors	10...15 Nm 88...132 lb inch

Figure 18: Connection for protective earth



Incorrect installation of the protective earth

Only the M8 threaded pins with nuts may be used to connect the protective earth!

5.2.2.2 Functional earthing

A functional earthing may also be necessary, if for EMC requirements additional potential equalization between devices or parts of the system must be available.



The use of the functional earth (FE) is not required if the frequency inverter is EMC-technically wired.

The functional earth may not be wired green/yellow!



Notes on EMC-compatible installation can be found here.
www.keb.de/fileadmin/media/Manuals/emv/0000neb0000.pdf



5.2.3 AC mains connection

5.2.3.1 AC supply 3-phase

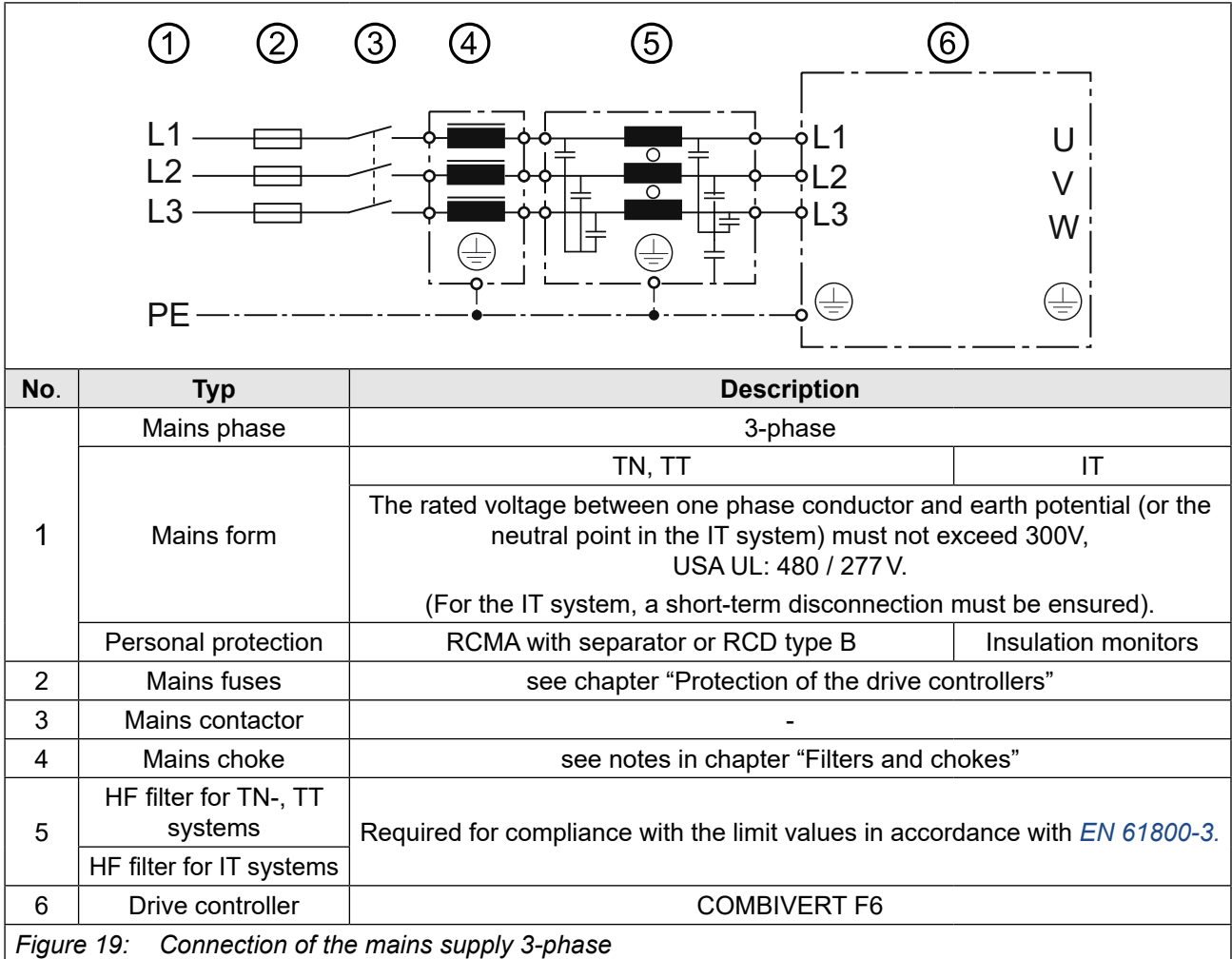


Figure 19: Connection of the mains supply 3-phase

5.2.3.2 Supply cable

The conductor cross-section of the supply cable is determined by the following factors:

- Input current of the drive controller
- Used cable type
- Installation method and ambient temperature
- The locally valid electrical regulations



The application engineer is responsible for the design!

5.2.3.3 Note on hard power systems

The service life of drive controllers with voltage DC link depends on the DC voltage, ambient temperature and the current load of the electrolytic capacitors in the DC link. The use of mains chokes can increase the service life of the condensators to a considerable extent, especially when connecting to "hard" power systems or when under permanent drive load (continuous duty).

The term "hard" power system means that the nodal point power (S_{Net}) of the mains is very high ($\gg 200$) compared to the rated apparent output power of the drive controller (S_{out}).



A listing of filters and chokes => „5.3.1 *Filters and chokes*“.

5.2.4 DC connection

NOTICE

DC operation

► DC operation is only permitted after consultation with KEB!

5.2.4.1 Terminal block X1A DC connection



Name	Function	Terminal connection	Tightening torque	Crimp connector dimension type	Max. number of conductors ¹⁾
+	DC terminals	8 mm stud for M8 crimp connector	10...15 Nm 88...132 lb inch	2	For IEC: 2
-					For UL: 2

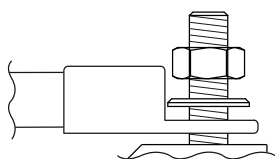
Figure 20: Terminal block X1A DC connection

¹⁾ From 50mm² only one conductor permitted

Crimp connector dimension		Type 2
Max. width	l/mm	19
Max. shaft length	l/mm	46
Max. diameter	l/mm	19

Table 23: Crimp connector dimension DC connection

NOTICE

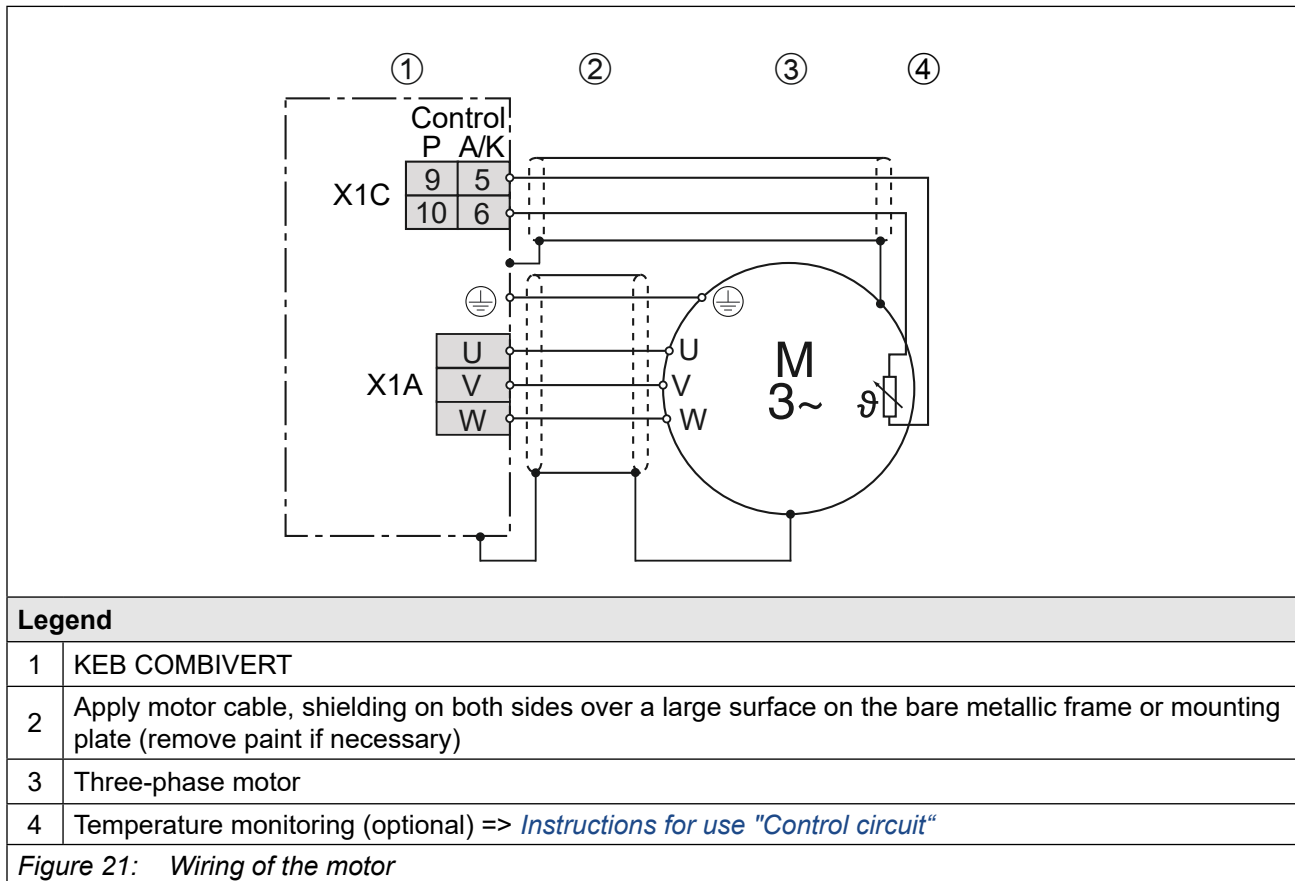


Short circuit due too low air and creepage distances!

► The pressing of the crimp connectors must point upwards when connecting 95 mm² cables!

5.2.5 Connection of the motor

5.2.5.1 Wiring of the motor



5.2.5.2 Terminal block X1A motor connection



Name	Function	Terminal connection	Tightening torque	Crimp connector dimension type	Max. number of conductors ¹⁾
U	Motor connection	8 mm stud for M8 crimp connector	10...15 Nm 88...132 lb inch	1	For IEC: 2
V					For UL: 2
W					

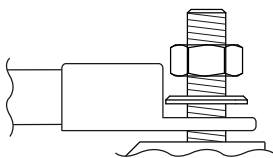
Figure 22: Terminal block X1A motor connection

¹⁾ From 50mm² only one conductor permitted

Crimp connector dimension		Type 1
Max. width	l/mm	24
Max. shaft length	l/mm	46
Max. diameter	l/mm	19

Table 24: Crimp connector dimension motor connection

NOTICE



Short circuit due too low air and creepage distances!

- The pressing of the crimp connectors must point upwards when connecting 95 mm² cables!

5.2.5.3 Selection of the motor line

The correct cabling as well as the motor line itself play an important part in case of low power in connection with long motor line lengths. Low-capacitance line (phase/phase < 65 pF/m, phase/screen < 120 pF/m) at the inverter output have the following effects:

- allow major motor line lengths („5.2.5.4 Motor cable length and conducted interferences at AC supply“)
- better EMC properties (reduction of the common-mode output currents to earth)

	<p>The use of shielded motor lines with symmetrical structure is required for higher motor power (from 30 kW). In these lines the protective earth conductor is tripartite and evenly arranged between the phase lines. A cable without protective earth conductor can be used if local regulations so permit. Then the protective earth conductor must be laid externally. Certain lines also permit the shield for the use as protective earth conductor. For this, observe the details of the line manufacturer!</p>
<p>Figure 23: Symmetrical motor line</p>	

5.2.5.4 Motor cable length and conducted interferences at AC supply

The maximum motor cable length is depending on the capacity of the motor cable as well as on the EMC emitted interference. External measures must be taken here (e.g. the use of a line filter).



The cable length can be increased significantly by using motor chokes or motor filters. KEB recommends the use of motor chokes or filters for a cable length upto 50 m.



Further information on the motor cable length can be found in the corresponding filter instructions.

5.2.5.5 Motor cable length for parallel operation of motors

The resulting motor cable length for parallel operation of motors, or parallel installation with multiple cables arises from the following formula:

$$\text{resulting motor cable length} = \sum \text{single cable lengths} \times \sqrt{\text{Number of motor cables}}$$

5.2.5.6 Motor cable cross-section

The motor cable cross-section is dependent

- on the characteristic of the output current (e.g. harmonic content).
- on the real effective value of the motor current.
- on the cable length.
- on the type of the used cable.
- on the ambient conditions such as bundling and temperature.

5.2.5.7 Interconnection of the motor

NOTICE

Incorrect behaviour of the motor!

- ▶ The connecting-up instructions of the motor manufacturer are always generally valid!

NOTICE

Protect motor against voltage peaks!

- ▶ Drive controllers switch at the output with high dV/dt. Voltage peaks that endanger the insulation system at the motor can occur especially in case of long motor cables (>15 m). A motor choke, a dV/dt-filter or sine-wave filter can be used to protect the motor with regard to the operating mode.

5.2.5.8 Connection of the temperature monitoring and brake control (X1C)

A switchable temperature evaluation is implemented in the COMBIVERT.

There are different types for the evaluation available. These are depending on the control board => *instruction manual „control board“*.

The desired operating mode can be adjusted via software (dr33). If the evaluation is not required, it must be deactivated via software (parameter pn12 = 7) => *Programming manual*

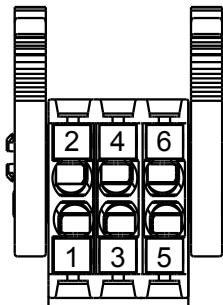
X1C	PIN	Name	Description
	1	BR+	Brake control / output +
	2	BR-	Brake control / output -
	3	reserved	–
	4	reserved	–
	5	TA1	Temperature detection / output +
	6	TA2	Temperature detection / output -

Figure 24: Terminal block X1C for control board APPLICATION and COMPACT

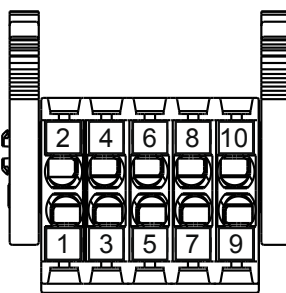
X1C	PIN	Name	Description
	1	BR+	Brake control / output +
	2	BR-	Brake control / output -
	3	0V	For supply of the checkback inputs
	4	24Vout	
	5	DIBR1	Checkback input 1 for brake and relay
	6	DIBR2	Checkback input 2 for brake and relay
	7	reserved	–
	8	reserved	–
	9	TA1	Temperature detection / output +
	10	TA2	Temperature detection / output -

Figure 25: Terminal block X1C for control board PRO

NOTICE

Malfunctions due to incorrect line or laying!

Malfunctions of the control due to capacitive or inductive coupling.

- ▶ Do not route cables from the motor temperature sensor (also shielded) together with control cables.
- ▶ Cables from the motor temperature sensor within the motor cables may only be used with double shielding!
- ▶ The input of the temperature detection has basic isolation.

		<p>For control board APPLICATION and COMPACT. The voltage to the control of a brake is decoupled from the internal voltage supply. The brake works only with external voltage supply.</p> <p>For control board PRO The brake can be supplied with both, internal and external voltage. Voltage tolerances and output currents vary for internal and external voltage supply.</p>
1	COMBIVERT	<p>Respect the specifications => instruction manual „control board“</p>
4	Brake	
<p>Figure 26: Connection of the brake control</p>		

		<p>KTY sensors are polarized semiconductors and must be operated in forward direction! To this connect the anode to TA1 and the cathode to TA2! Non-observance leads to incorrect measurements in the upper temperature range. A protection of the motor winding is then no longer guaranteed.</p>
1	<p>Connection via shield plate (if not available, place on the mounting plate).</p>	
<p>Figure 27: Connection of a KTY sensor</p>		

NOTICE

No protection of the motor winding in case of wrong connection.

- ▶ Operate KTY sensors in forward direction.
- ▶ KTY sensors may not be combined with other detections.



Further information about the wiring of the temperature monitoring and the brake control have to be observed in the respective control unit manual.

5.2.6 Connection and use of a braking resistor

⚠ CAUTION



Fire risk by using brake resistors!

- ▶ The risk of fire can be significantly reduced by using „intrinsically safe braking resistors“ or by using suitable monitoring functions / circuits.

NOTICE

Destruction of the frequency inverter if the value has fallen below the minimum brake resistance value!

- ▶ The minimum brake resistance value must not fall below!
„3.3 Device data of the 400 V devices“

⚠ CAUTION



Hot surfaces caused by load of the braking resistor!

Burning of the skin!

- ▶ Cover hot surfaces safe-to-touch.
- ▶ Before touching, check the surface.
- ▶ If necessary, attach warning signs on the system.

5.2.6.1 Terminal block X1A connection braking resistor



Name	Function	Terminal connection	Tightening torque	Crimp connector dimension type	Max. number of conductors ¹⁾
+	Connection for braking resistor (between + and R)	8 mm stud for M8 crimp connector	10...15 Nm 88...132 lb inch	2	For IEC: 2
R					For UL: 2

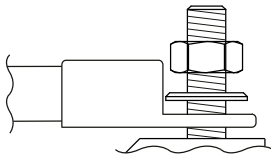
Figure 28: Terminal block X1A connection braking resistor

1) From 50mm² only one conductor permitted

Crimp connector dimension		Type 2
Max. width	l/mm	19
Max. shaft length	l/mm	46
Max. diameter	l/mm	19

Table 25: Crimp connector dimension braking resistor

NOTICE



Short circuit due too low air and creepage distances!

- The pressing of the crimp connectors must point upwards when connecting 95 mm² cables!

5.2.6.2 Use of non-intrinsically safe braking resistors

⚠ WARNING



Use of non-intrinsically safe braking resistors

Fire or smoke emission in case of overload or error!

- ▶ Only use braking resistors with temperature sensor.
- ▶ Evaluate temperature sensor.
- ▶ Trigger an error at the drive controller (e.g. external input).
- ▶ Switch off input voltage (e.g. input contactor).
- ▶ Connection examples for non-intrinsically safe braking resistors
- ▶ => *Instructions for use "Installation braking resistors"*



Use of non-intrinsically safe braking resistors with extended temperature monitoring

www.keb.de/fileadmin/media/Manuals/dr/ma_dr_braking-resistors-20116737_en.pdf

Chapter "Connection of a braking resistor with extended temperature monitoring".



5.3 Accessories

5.3.1 Filters and chokes

Voltage class	Drive controller size	HF filter	Mains choke 50 Hz / 4% U_k
400V	24	24E6T60-3000	24Z1B04-1000

Table 26: Filters and chokes 400 V devices



The specified filters and chokes are designed for rated operation.

5.3.2 Seal for IP54-ready devices

Name	Material number
Seal IP54	60F6T45-0004

Table 27: Seal for IP54-ready devices

5.3.3 Side-mounted braking resistors



Technical data and design about intrinsically safe braking resistors => https://www.keb.de/fileadmin/media/Manuals/dr/ma_dr_safe-braking-resistors-20106652_en.pdf



Technical data and design about non-intrinsically safe braking resistors => https://www.keb.de/fileadmin/media/Manuals/dr/ma_dr_braking-resistors-20116737_en.pdf



6 Operation of Liquid-Cooled Devices

6.1 Water-cooled devices

The use of water-cooled KEB COMBIVERT drive converters is offered, because there are process-caused coolants available with some applications. However, the following instructions must be observed.

6.1.1 Heat sink and operating pressure

Design system	Material	max. operating pressure	Connection
Aluminium heat sink with stainless steel tubes	Stainless steel 1.4404	10 bar	=> „6.1.4 Connection of the HSD cooling system“

NOTICE

Deformation of the heat sink!

- ▶ In order to avoid a deformation of the heat sink and the damages thereby, the indicated maximum operating pressure may not be exceeded briefly also by pressure peaks.
- ▶ Observe the Pressure Equipment Directive 2014/68/EU!

6.1.2 Materials in the cooling circuit

For the screw connections and also for the metallic articles in the cooling circuit which are in contact with the coolant (electrolyte) a material is to be selected, which forms a small voltage difference to the heat sink in order to avoid contact corrosion and/or pitting corrosion (electro-chemical voltage series, see the following table). The specific case of application must be checked by the customer in tuning of the complete cooling circuit and must be classified according to the used materials. With hoses and seals take care that halogen-free materials are used.

A liability for occurring damages by wrongly used materials and from this resulting corrosion cannot be taken over!

Material	formed ion	Standard potential	Material	formed ion	Standard potential
Lithium	Li+	-3.04 V	Nickel	Ni ²⁺	-0.25 V
Potassium	K+	-2.93 V	Tin	Sn ²⁺	-0.14 V
Calcium	Ca ²⁺	-2.87 V	Lead	Pb ³⁺	-0.13 V
Sodium	Na+	-2.71 V	Iron	Fe ³⁺	-0.037 V
Magnesium	Mg ²⁺	-2.38 V	Hydrogen	2H+	0.00 V

continued on the next page

Material	formed ion	Standard potential	Material	formed ion	Standard potential
Titan	Ti ²⁺	-1.75V	Stainless steel (1.4404)	various	0.2...0.4V
Aluminium	Al ³⁺	-1.67V	Copper	Cu ²⁺	0.34V
Manganese	Mn ²⁺	-1.05V	Carbon	C ²⁺	0.74V
Zinc	Zn ²⁺	-0.76V	Silver	Ag ⁺	0.80V
Chrome	Cr ³⁺	-0.71V	Platinum	Pt ²⁺	1.20V
Iron	Fe ²⁺	-0.44V	Gold	Au ³⁺	1.42V
Cadmium	Cd ²⁺	-0.40V	Gold	Au ⁺	1.69V
Cobald	Co ²⁺	-0.28V			

Table 28: Electrochemical series / standard potentials against hydrogen

6.1.3 Requirements for the coolant

The requirements for the coolant depend on the ambient conditions as well as the used cooling system.

General requirements for the coolant:

Requirement	Description
Standards	Corrosion protection according to EN 12502-1...5 , water treatment and use of materials in cooling systems according to VGB S 455 P .
VGB Cooling water directive	The VGB cooling water directive (VGB S 455 P) contains instructions about common process technology of the cooling. Particularly the interactions between cooling water and components of the cooling system are described.
Abrasive substances	Abrasive substances as used in abrasive (quartz sand), clogging the cooling circuit.
Hard water	Cooling water may not cause scale deposits or loose excretions. The total hardness should be between 7...20 °dH, the carbon hardness at 3...10 °dH.
Soft water	Soft water (<7°dH) corrodes the material.
Frost protection	An appropriate antifreeze must be used for applications when the heat sink or the coolant is exposed temperatures below zero. Use only products of one manufacturer for a better compatibility with other additives. KEB recommends the antifreeze Antifrogen N from Clariant with a maximum volume content of 52 %.
Corrosion protection	Additives can be used as corrosion protection. In connection with frost protection the antifreeze must have a concentration of 20...25Vol %, in order to avoid a change of the additives. Alternatively, an antifreeze / glycol with a concentration of 20% ... max. vol 52% can be used. If antifreeze is used, the water does not need to be provided with additional additives.

Table 29: Requirements for the coolant

Special requirements for open and half-open cooling systems:

Requirement	Description
Impurities	Mechanical impurities in half-open cooling systems can be counteracted when appropriate water filters are used.
Salt concentration	The salt content can increase through evaporation at half-open systems. Thus the water is more corrosive. Adding of fresh water and removing of process water works against.
Algae and myxobacteria	Algae and myxobacteria can arise caused by increased water temperature and contact with atmospheric oxygen. The algae and myxobacteria clog the filters and obstruct the water-flow. Biocide containing additives can avoid this. Especially at longer OFF periods of the cooling circuit preventive maintenance is necessary.
Organic materials	The contamination with organic materials must be kept as small as possible, because separate slime can be caused by this.

Table 30: Special requirements for open and half-open cooling systems

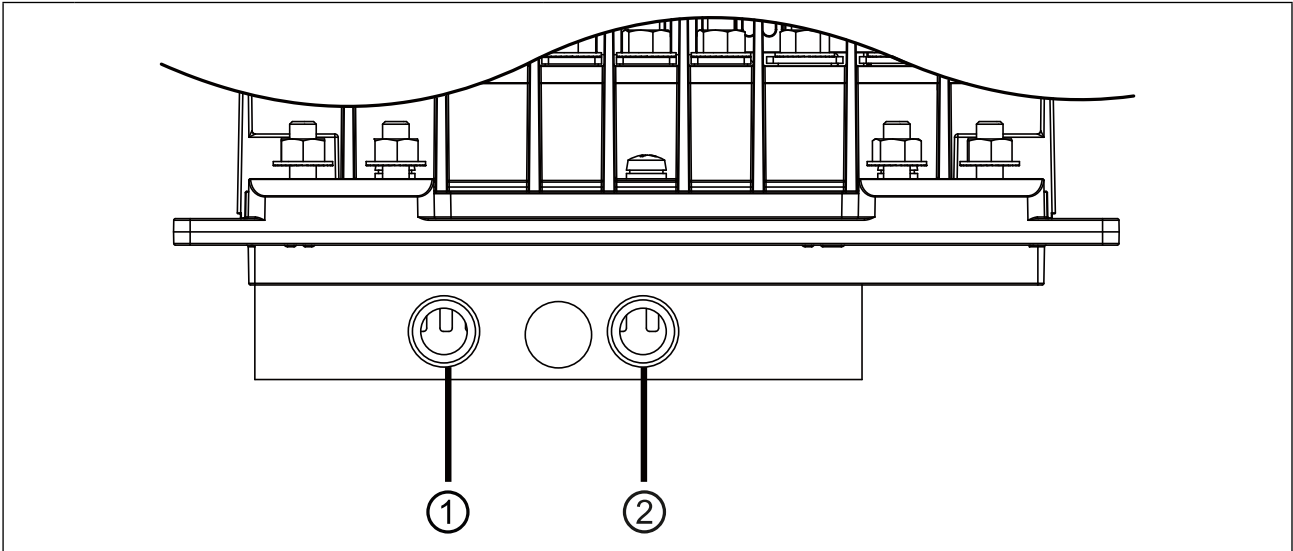


Damages at the device which are caused by clogged, corroded heat sinks or other obvious operating errors, leads to the loss of the warranty claims.

6.1.4 Connection of the HSD cooling system

The connection to the cooling system can occur as a closed or open cooling circuit. Connection to a closed cooling circuit is recommended, because the risk of the cooling liquid is very low.

Other elements in the cooling circuit such as pumps, shut-off valves, ventilation etc. must be attached according to the cooling system and the local conditions.



No.	Connection	Type
1	Flow	G 1/2 internal thread
2	Return flow	

Figure 29: Connection of the HSD cooler



To monitor the volume flow in the cooling system KEB recommends the use of a volume flow monitor.

NOTICE

Flow velocity in the cooler too high!

- ▶ The inside diameter of the hose connection must be at least 12mm.

6.1.5 Coolant temperature and moisture condensation

The flow temperature should be selected depending on the volume flow so that the heat sink temperature is always 10 K below the overtemperature level (OH) during rated operation. This avoids sporadic shutdown.

The maximum heat sink temperature can be found in chapter => „3.4.1 Switching frequency and temperature“.

6.1.5.1 Condensation

A temperature difference between drive converter and ambient temperature can lead to condensation at high humidity.

Moisture condensation is dangerous for the drive converter. The drive converter can be destroyed through occurring short-circuits.

NOTICE

Destruction of the drive converter due to short circuit!

- ▶ The user must guarantee that any moisture condensation is avoided!

6.1.5.2 Supply of temper coolant

- The supply of optimally tempered coolant is possible by using heaters in the cooling circuit to control the coolant temperature.
- The following dew point table shows the coolant inlet temperature depending on the ambient temperature and air humidity.

Ambient temperature / °C \ Air humidity / %	10	20	30	40	50	60	70	80	90
-10	-34	-26	-22	-19	-17	-15	-13	-11	-11
-5	-29	-22	-18	-15	-13	-11	-8	-7	-6
0	-26	-19	-14	-11	-8	-6	-4	-3	-2
5	-23	-15	-11	-7	-5	-2	0	2	3
10	-19	-11	-7	-3	0	1	4	6	8
15	-18	-7	-3	1	4	7	9	11	13
20	-12	-4	1	5	9	12	14	16	18
25	-8	0	5	10	13	16	19	21	23
30	-6	3	10	14	18	21	24	26	28
35	-2	8	14	18	22	25	28	31	33
40	1	11	18	22	27	31	33	36	38
45	4	15	22	27	32	36	38	41	43
Coolant inlet temperature / °C									

Table 31: Dew point table



Information on coolant management is given in the following document

www.keb.de/fileadmin/media/Techinfo/dr/an/tj_dr_an-liquid-cooling-00004_en.pdf



NOTICE

Destruction of the heat sink at storage / transport of water-cooled devices!

Observe the following points when storing water-cooled devices:

- ▶ Completely empty the cooling circuit
- ▶ Blow out the cooling circuit with compressed air

NOTICE

Destruction of the drive converter due to condensation!

- ▶ Use only NC valves!

6.1.6 Permissible volume flow

The volume flow of the following table must be observed.

Permissible volume flow		
Min. volume flow	Q_{min} / l/min	15
Max. volume flow	Q_{max} / l/min	25
<i>Table 32: Permissible volume flow</i>		



The volume flow depends on the total power dissipation.

=> „6.1.7 Coolant heating“

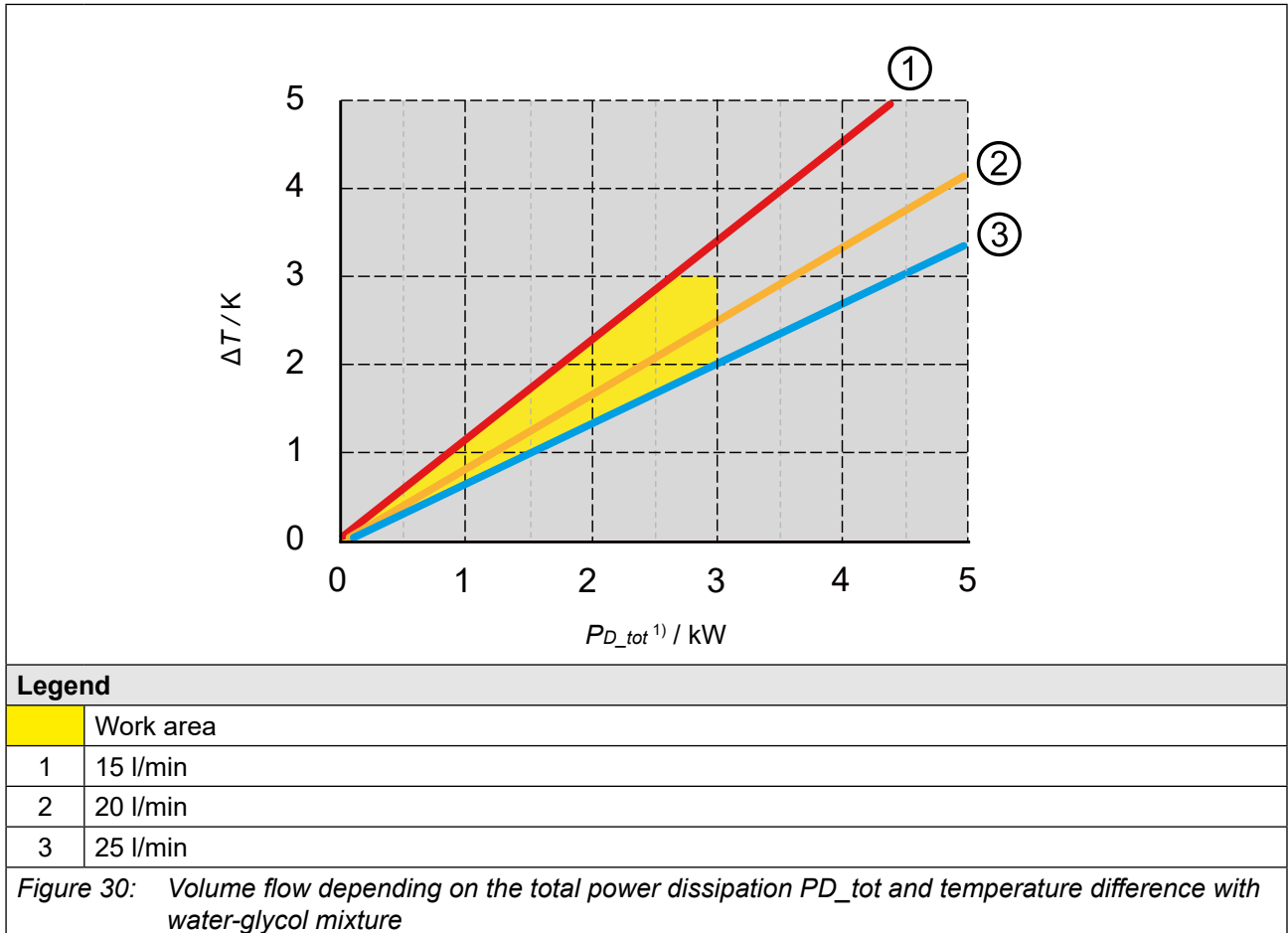
NOTICE

Destruction of the heat sink due to erosion!

- ▶ The maximum permissible volume flow must not be exceeded.

6.1.7 Coolant heating

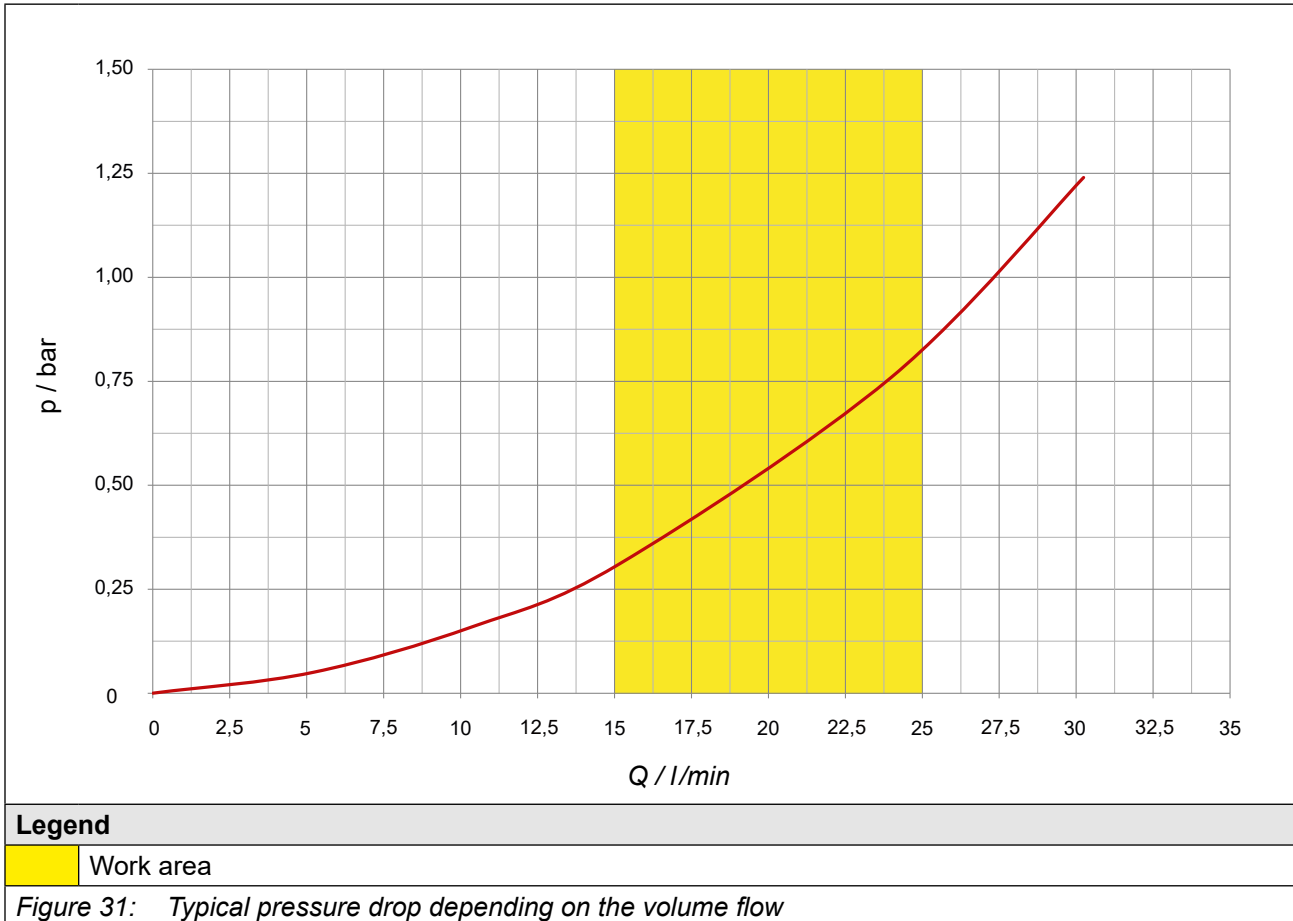
Volume flow depending on the total power dissipation and temperature difference between flow and return flow.



¹⁾ P_{D_tot} can be higher than the power dissipation P_D during rated operation due to overload, higher switching frequency or sub-mounted braking resistors.

6.1.8 Typical pressure drop of the heat sink with water

- The curve characteristic shown below is valid for 40 °C flow temperature and a glycol content of 52 %.
- If higher flow temperatures are used, the pressure drop in the system decreases.
- This also applies to cooling media such as water or another glycol mixture.
- A glycol mixture from Clariant in a ratio of 52 % or 33 % is recommended.



7 Certification

7.1 CE marking


The drive controllers labelled with a CE logo comply with the requirements of the Machinery Directive as well as the EMC and Rohs Directives and energy efficiency regulations.



For further information regarding the CE declarations of conformity

=> *„7.3 Further informations and documentation“*.

7.2 UL certification

	<p>Acceptance according to UL is marked at KEB drive controllers with the adjacent logo on the nameplate.</p>
---	---

To be conform according to UL for use on the North American and Canadian Market the following additionally instructions must be observed (original text of the UL-File):

- All models:
Maximum Surrounding Air Temperature: 45°C
- Use 75°C Copper Conductors Only
- Control Circuit Overcurrent Protection Required
- Integral solid state short circuit protection does not provide branch circuit protection. Branch circuit protection must be provided in accordance with the Manufacturer Instructions, National Electrical Code and any additional local codes.

CSA: For Canada: Integral solid state short circuit protection does not provide branch circuit protection. Branch circuit protection must be provided in accordance with the Canadian Electrical Code, Part I.

- Only for use in non-corner grounded type WYE source not exceeding 277V phase to ground.
- For installations according to Canadian National Standard C22.2 No. 274-13:

For use in Pollution Degree 2 and Overvoltage Category III environments only.

- Suitable For Use On A Circuit Capable Of Delivering Not More Than 10000 rms Symmetrical Amperes, 480 Volts Maximum when protected by Class J Fuses, see instruction manual for Branch Circuit Protection details.
- Suitable For Use On A Circuit Capable Of Delivering Not More Than 30000 rms Symmetrical Amperes, 480 Volts Maximum when protected by Semiconductor Fuses by SIBA (Type 20 189 20.), or by Bussmann (Type 170M13), or by Littelfuse (Type L70QS), see instruction manual for Branch Circuit Protection details.
- **WARNING** – The opening of the branch circuit protective device may be an indication that a fault current has been interrupted. To reduce the risk of fire or electrical shock, current-carrying parts and other components of the controller should be examined and replaced if damaged. If burnout of the current element of an overload relay occurs, the complete overload relay must be replaced.
- Brake resistor ratings and duty cycle:
 - Duty cycle 50%
 - Max. 60 sec on-time / 60 sec off-time

7.3 Further informations and documentation

You find supplementary manuals and instructions for the download under www.keb.de/de/service/downloads

General instructions

- EMC and safety instructions
- Manuals for additional control boards, safety modules, fieldbus modules, etc.

Instruction and information for construction and development

- Input fuses in accordance with UL
- Programming manual for control and power unit
- Motor configurator to select the appropriate drive converter and to create downloads for parameterizing the drive converter

Approvals and approbations

- Declaration of conformity CE
- TÜV certificate
- FS certification

Others

- COMBIVIS, the software for comfortable parameterization of drive converters via PC (available per download)
- EPLAN drawings

8 Revision history

Version	Date	Description
00	2023-09	Creation of the pre-series manual
01	2024-06	Creation of the series version, built-in version included



MORE KEB PARTNERS WORLDWIDE:

www.keb-automation.com/contact





Automation with Drive

www.keb-automation.com

KEB Automation KG Suedstrasse 38 D-32683 Barntrop Tel. +49 5263 401-0 E-Mail: info@keb.de