



# COMBIVERT F6

INSTRUCTIONS FOR USE | INSTALLATION F6 HOUSING 2

Translation of the original manual  
Document 20099887 EN 11



# Preface

The hardware and software described in this document are products of KEB. The information contained in this document is valid at the time of publishing. KEB reserves the right to update this document in response to misprints, mistakes or technical changes.

## Signal words and symbols

Certain procedures within this document can cause safety hazards during the installation or operation of the device. Refer to the safety warnings in this document when performing these procedures. Safety signs are also located on the device where applicable. A safety warning is marked by one of the following warning signs:

<b>DANGER</b>	Dangerous situation, which will cause death or serious injury if this safety warning is ignored.
<b>WARNING</b>	Dangerous situation, which may cause death or serious injury if this safety warning is ignored.
<b>CAUTION</b>	Dangerous situation, which may cause minor injury if this safety warning is ignored.
<b>NOTICE</b>	Situation, which can cause damage to property if this safety warning is ignored.

### RESTRICTION

Used when the following statements depend on certain conditions or are only valid for certain ranges of values.



Used for informational messages or recommended procedures.

## More symbols

- ▶ This arrow starts an action step.
- / - Enumerations are marked with dots or indents.
- => Cross reference to another chapter or another page.



Note to further documentation.  
<https://www.keb-automation.com/search>



## Laws and guidelines

KEB Automation KG confirms with the EC declaration of conformity and the CE mark on the device nameplate that it complies with the essential safety requirements.

The EC declaration of conformity can be downloaded on demand via our website.

## Warranty and liability

The warranty and liability on design, material or workmanship for the acquired device is given in the general sales conditions.



Here you will find our general sales conditions.  
<https://www.keb-automation.com/terms-conditions>



Further agreements or specifications require a written confirmation.

## Support

Although multiple applications are referenced, not every case has been taking into account. If you require further information or if problems occur which are not referenced in the documentation, you can request the necessary information via the local KEB agency.

**The use of our units in the target products is outside of our control and therefore lies exclusively in the area of responsibility of the customer.**

The information contained in the technical documentation, as well as any user-specific advice in spoken and written and through tests, are made to best of our knowledge and information about the intended use. However, they are regarded as being only informal and changes are expressly reserved, in particular due to technical changes. This also applies to any violation of industrial property rights of a third-party. Selection of our units in view of their suitability for the intended use must be done generally by the user.

**Tests can only be done within the intended end use of the product (application) by the customer. They must be repeated, even if only parts of hardware, software or the unit adjustment are modified.**

## Copyright

The customer may use the instructions for use as well as further documents or parts from it for internal purposes. Copyrights are with KEB and remain valid in its entirety.

This KEB product or parts thereof may contain third-party software, including free and/or open source software. If applicable, the license terms of this software are contained in the instructions for use. The instructions for use are already available to you, can be downloaded free of charge from the KEB website or can be requested from the respective KEB contact person.

Other wordmarks or/and logos are trademarks (™) or registered trademarks (®) of their respective owners.

# Table of Contents

<b>Preface</b> .....	<b>3</b>
Signal words and symbols .....	3
More symbols.....	3
Laws and guidelines.....	4
Warranty and liability.....	4
Support .....	4
Copyright.....	4
<b>Table of Contents</b> .....	<b>5</b>
<b>List of Figures</b> .....	<b>8</b>
<b>List of Tables</b> .....	<b>9</b>
<b>Glossary</b> .....	<b>11</b>
<b>Standards for drive controllers</b> .....	<b>13</b>
Product standards that apply directly to the drive controller .....	13
Basic standards to which drive controller standards refer directly .....	13
Standards that are used in the environment of the drive controller.....	14
<b>1 Basic Safety Instructions</b> .....	<b>15</b>
1.1 Target group.....	15
1.2 Transport, storage and proper use .....	15
1.3 Installation.....	16
1.4 Electrical connection .....	17
1.4.1 EMC-compatible installation.....	18
1.4.2 Voltage test.....	18
1.4.3 Insulation measurement.....	18
1.5 Start-up and operation .....	19
1.6 Maintenance.....	20
1.8 Repair .....	21
1.7 Disposal.....	21
<b>2 Product Description</b> .....	<b>22</b>
2.1 Specified application.....	22
2.1.1 Residual risks .....	22
2.2 Unintended use.....	22
2.3 Product features .....	23
2.4 Part code .....	24
2.5 Nameplate .....	26
2.5.1 Configurable options .....	27
<b>3 Technical data</b> .....	<b>28</b>
3.1 Operating conditions .....	28
3.1.1 Climatic environmental conditions.....	28
3.1.2 Mechanical environmental conditions .....	29
3.1.3 Chemical / mechanical active substances.....	29

3.1.4 Electrical operating conditions.....	30
3.1.4.1 Device classification.....	30
3.1.4.2 Electromagnetic compatibility.....	30
<b>3.2 Device data of the 230 V devices .....</b>	<b>31</b>
3.2.1 Overview of the 230 V devices.....	31
3.2.2 Voltage and frequencies for 230V devices.....	32
3.2.2.1 Example of the calculation of the possible motor voltage 230V:.....	33
3.2.3 Input and output currents / overload for 230 V devices.....	33
3.2.3.1 Overload characteristic (OL) for 230 V devices.....	34
3.2.3.2 Frequency-dependent maximum current (OL2) for 230V devices .....	36
3.2.4 Power dissipation at rated operation of the 230V devices .....	40
3.2.5 Fusing of the 230V devices .....	41
<b>3.3 Device data of the 400 V devices .....</b>	<b>42</b>
3.3.1 Overview of the 400 V devices.....	42
3.3.2 Voltage and frequencies for 400V devices.....	43
3.3.3 Input and output currents / overload for 400 V devices.....	44
3.3.2.1 Example of the calculation of the possible motor voltage: .....	44
3.3.3.1 Overload characteristic (OL) for 400 V devices.....	45
3.3.3.2 Frequency-dependent maximum current (OL2) for 400V devices .....	47
3.3.4 Power dissipation at rated operation of the 400 V devices .....	52
3.3.5 Fusing of the 400V devices .....	52
<b>3.4 General electrical data .....</b>	<b>53</b>
3.4.1 Switching frequency and temperature.....	53
3.4.2 Switching frequency and temperature of the 230 V devices .....	53
3.4.3 Switching frequency and temperature of the 400 V devices .....	53
3.4.4 DC link / braking transistor function.....	54
3.4.4.1 DC link / braking transistor function of the 230V devices .....	54
3.4.4.2 DC link / braking transistor function of the 400V devices .....	55
3.4.5 Fan .....	55
3.4.5.1 Switching behaviour of the fans .....	56
3.4.5.2 Switching points of the fans.....	56
<b>4 Installation.....</b>	<b>57</b>
<b>4.1 Dimensions and weights .....</b>	<b>57</b>
4.1.1 Built-in version air cooler .....	57
4.1.2 Push-through version air cooler IP20-ready.....	58
4.1.3 Push-through version air-cooling IP54-ready .....	59
4.1.4 Push-through version convection cooler .....	60
<b>4.2 Control cabinet installation .....</b>	<b>61</b>
4.2.1 Mounting instructions .....	61
4.2.2 Mounting distances .....	62
4.2.3 Installation of IP54-ready devices .....	63
4.2.5 Control cabinet ventilation.....	64
4.2.4 Airflow of the drive converter .....	64

<b>5</b>	<b>Installation and connection .....</b>	<b>65</b>
5.1	Overview of the COMBIVERT F6.....	65
5.2	Connection of the power unit.....	68
5.2.1	Connection of the voltage supply .....	68
5.2.1.1	Terminal block X1A.....	69
5.2.2	Protective earth and functional earth.....	70
5.2.2.1	Protective earth .....	70
5.2.2.2	Functional earthing.....	70
5.2.3	AC mains connection.....	71
5.2.3.1	AC supply 3-phase .....	71
5.2.3.2	Supply cable.....	71
5.2.3.3	Note on hard power systems.....	72
5.2.4	DC connection.....	73
5.2.4.1	Terminal block X1A DC connection .....	73
5.2.4.2	Wiring of the motor .....	74
5.2.4.3	Terminal block X1A motor connection .....	75
5.2.4.4	Selection of the motor line.....	76
5.2.4.5	Motor cable length and conducted interferences at AC supply .....	76
5.2.4.6	Motor cable length for parallel operation of motors .....	77
5.2.4.7	Motor cable cross-section .....	77
5.2.4.8	Interconnection of the motor.....	77
5.2.4.9	Connection of the temperature monitoring and brake control (X1C).....	78
5.2.5	Connection and use of a braking resistor.....	80
5.2.5.1	Terminal block X1A connection braking resistor.....	81
5.2.5.2	Use of intrinsically safe braking resistors .....	82
5.2.5.3	Use of non-intrinsically safe braking resistors .....	82
5.3	Accessories .....	83
5.3.1	Filters and chokes .....	83
5.3.2	Mounting kit shield connection brackets.....	83
5.3.3	Seal for IP54-ready devices .....	83
5.3.4	Side-mounted braking resistors.....	84
<b>6</b>	<b>Certification.....</b>	<b>85</b>
6.1	CE-Marking.....	85
6.2	UL certification .....	86
6.3	Further informations and documentation.....	87
<b>7</b>	<b>Revision history.....</b>	<b>88</b>

## List of Figures

Figure 1:	Nameplate.....	26
Figure 2:	Configurable options.....	27
Figure 3:	Switch-off time $t$ depending on the overload $I/IN$ at OC level 216%.....	34
Figure 4:	Switch-off time $t$ depending on the overload $I/IN$ at OC level 180% .....	35
Figure 5:	Typical overload characteristics in the lower output frequencies (OL2) example device size 10 .....	37
Figure 6:	Switch-off time $t$ depending on the overload $I/IN$ at OC level 216%.....	45
Figure 7:	Switch-off time $t$ depending on the overload $I/IN$ at OC level 180% .....	46
Figure 8:	Typical overload characteristics in the lower output frequencies (OL2) example device size 15 .....	48
Figure 9:	Block diagram of the energy flow.....	54
Figure 10:	Switching behaviour of the fan example heat sink fan.....	56
Figure 11:	Dimensions built-in version air cooler .....	57
Figure 12:	Dimensions push-through version air cooler IP20-ready .....	58
Figure 13:	Dimensions push-through version air cooler IP54-ready .....	59
Figure 14:	Dimensions push-through version convection cooler .....	60
Figure 15:	Mounting distances .....	62
Figure 16:	Installation of IP54-ready devices .....	63
Figure 18:	Control cabinet ventilation.....	64
Figure 17:	Airflow of the drive converter .....	64
Figure 19:	F6 housing 2 top view.....	65
Figure 20:	F6 housing 2 front view.....	66
Figure 21:	F6 housing 2 rear view with control board APPLICATION.....	67
Figure 22:	Input circuit.....	68
Figure 23:	Terminal block X1A .....	69
Figure 24:	Connection for protective earth.....	70
Figure 25:	Connection of the mains supply 3-phase.....	71
Figure 26:	Terminal block X1A DC connection.....	73
Figure 27:	Wiring of the motor.....	74
Figure 28:	Terminal block X1A motor connection.....	75
Figure 29:	Symmetrical motor line .....	76
Figure 30:	Terminal block X1C for control board APPLICATION and COMPACT.....	78
Figure 31:	Terminal block X1C for control board PRO.....	78
Figure 32:	Connection of the brake control.....	79
Figure 33:	Connection of a KTY sensor .....	79
Figure 34:	Terminal block X1A connection braking resistor .....	81
Figure 35:	Wiring of an intrinsically safe braking resistor.....	82



## List of Tables

Table 1:	Part code.....	25
Table 2:	Climatic environmental conditions .....	28
Table 3:	Mechanical environmental conditions.....	29
Table 4:	Chemical / mechanical active substances .....	29
Table 5:	Device classification.....	30
Table 6:	Electromagnetic compatibility .....	30
Table 7:	Overview of the 230 V device data .....	32
Table 8:	Input voltages and frequencies of the 230V devices .....	32
Table 9:	DC link voltage for 230V devices .....	32
Table 10:	Output voltages and frequencies of the 230V devices .....	32
Table 11:	Example of the calculation of the possible motor voltage 230V:.....	33
Table 12:	Input currents of the 230 V devices .....	33
Table 13:	Output currents of the 230 V devices.....	33
Table 14:	Frequency-dependent maximum current for device size 10 .....	38
Table 15:	Frequency-dependent maximum current for device size 12 .....	39
Table 16:	Frequency-dependent maximum current for device size 13 .....	39
Table 17:	Frequency-dependent maximum current for device size 14 .....	40
Table 18:	Power dissipation of the 230 V devices .....	40
Table 19:	Fusing of the 230V / 240V devices .....	41
Table 20:	Overview of the 400 V device data .....	43
Table 21:	Input voltages and frequencies of the 400V devices .....	43
Table 22:	DC link voltage for 400V devices .....	43
Table 23:	Output voltages and frequencies of the 400V devices .....	43
Table 24:	Example of the calculation of the possible motor voltage:.....	44
Table 25:	Input currents of the 400 V devices .....	44
Table 26:	Output currents and overload of the 400 V devices.....	44
Table 27:	Frequency-dependent maximum current for device size 12 .....	49
Table 28:	Frequency-dependent maximum current for device size 13 .....	49
Table 29:	Frequency-dependent maximum current for device size 14 .....	50
Table 30:	Frequency-dependent maximum current for device size 15 .....	50
Table 31:	Frequency-dependent maximum current for device size 16 (2 kHz).....	51
Table 32:	Frequency-dependent maximum current for device size 16 (4 kHz).....	51
Table 33:	Power dissipation of the 400 V devices .....	52
Table 34:	Fusing of the 400V / 480V devices .....	52
Table 35:	Switching frequency and temperature of the 230 V devices.....	53
Table 36:	Switching frequency and temperature of the 400 V devices.....	53
Table 37:	DC link / braking transistor function of the 230V devices .....	54
Table 38:	DC link / braking transistor function of the 400V devices .....	55
Table 39:	Fan.....	55
Table 40:	Switching points of the fans .....	56
Table 41:	Mounting instructions for built-in version / push-through version convection cooler .....	61

## LIST OF FIGURES

Table 42:	Mounting instructions for push-through version .....	61
Table 43:	Max. motor cable length.....	77
Table 44:	Filters and chokes for 230V devices.....	84
Table 45:	Filters and chokes for 400V devices.....	84
Table 46:	Mounting kit shield connection brackets .....	84
Table 47:	Mounting kit for IP20-ready devices.....	84
Table 48:	Seal for IP54-ready devices.....	85

## Glossary

0V	Earth-potential-free common point	Endat	Bidirectional encoder interface of the company Heidenhain
1ph	1-phase mains	EtherCAT	Real-time Ethernet bus system of the company Beckhoff
3ph	3-phase mains	Ethernet	Real-time bus system - defines protocols, plugs, types of cables
AC	AC current or voltage	FE	Functional earth
AFE	From 07/2019 AIC replaces the previous name AFE	FSoE	Functional Safety over Ethernet
AFE filter	From 07/2019 AIC filter replaces the previous name AFE filter	FU	Drive controller
AIC	Active Infeed Converter	GND	Reference potential, ground
AIC filter	Filter for Active Infeed Converter	GTR7	Braking transistor
Application	The application is the intended use of the KEB product	HF filter	High frequency filter to the mains
ASCL	Asynchronous sensorless closed loop	Hiperface	Bidirectional encoder interface of the company Sick-Stegmann
Auto motor ident.	Automatically motor identification; calibration of resistance and inductance	HMI	Human machine interface (touch screen)
AWG	American wire gauge	HSP5	Fast, serial protocol
B2B	Business-to-business	HTL	Incremental signal with an output voltage (up to 30V) -> TTL
BiSS	Open source real-time interface for sensors and actuators (DIN 5008)	IEC	International standard
CAN	Fieldbus system	IP xx	Degree of protection (xx for level)
c.d.f.	Cyclic duration factor	KEB product	The KEB product is subject of this manual
CDM	Complete drive module including auxiliary equipment (control cabinet)	KTY	Silicium temperature sensor (polarized)
COMBIVERT	KEB drive controller	Manufacturer	The manufacturer is KEB, unless otherwise specified (e.g. as manufacturer of machines, engines, vehicles or adhesives)
COMBIVIS	KEB start-up and parameterizing software	MCM	American unit for large wire cross sections
Customer	The customer has purchased a KEB product from KEB and integrates the KEB product into his product (customer product) or resells the KEB product (dealer)	Modulation	Means in drive technology that the power semiconductors are controlled
DC	DC current or voltage	MTTF	Mean service life to failure
DI	Demineralized water, also referred to as deionized (DI) water	NN	Sea level
DIN	German Institut for standardization	OC	Overcurrent
DS 402	CiA DS 402 - CAN device profile for drives	OH	Overheat
EMC	Electromagnetic compatibility	OL	Overload
Emergency stop	Shutdown of a drive in emergency case (not de-energized)	OSSD	Output signal swithcing device; - an output signal that is checked in regular intervals on its shutdown. (safety technology)
Emergency switching off	Switching off the voltage supply in emergency case	PDS	Power drive system incl. motor and measuring probe
EMS	Energy Management System	PE	Protective earth
EN	European standard	PELV	Protective Extra Low Voltage
Encoder emulation	Software-generated encoder output	PFD	Term used in the safety technology (EN 61508-1...7) for the size of error probability
End customer	The end customer is the user of the customer product		

## GLOSSARY

PFH	Term used in the safety technology (EN 61508-1...7) for the size of error probability per hour
PLC	Programmable logic controller
Pt100	Temperature sensor with $R_0=100\Omega$
Pt1000	Temperature sensor with $R_0=1000\Omega$
PTC	PTC-resistor for temperature detection
PWM	Pulse width modulation
RJ45	Modular connector with 8 lines
SCL	Synchronous sensorless closed loop
SELV	Safety Extra Low Voltage (<60V)
SIL	The safety integrity level is a measure for quantifying the risk reduction. Term used in the safety technology (EN 61508 -1...7)
SS1	Safety function „Safe stop 1“ in accordance with IEC 61800-5-2
SSI	Synchronous serial interface for encoder
STO	Safety function „Safe Torque Off“ in accordance with IEC 61800-5-2
TTL	Incremental signal with an output voltage up to 5V
USB	Universal serial bus
VARAN	Real-time Ethernet bus system

## Standards for drive controllers

### Product standards that apply directly to the drive controller

EN61800-2	Adjustable speed electrical power drive systems - Part 2: General requirements - Rating specifications for low voltage adjustable frequency a.c. power drive systems (VDE 0160-102, IEC 61800-2)
EN61800-3	Speed-adjustable electrical drives. Part 3: EMC requirements and specific test methods (VDE 0160-103, IEC 61800-3)
EN61800-5-1	Adjustable speed electrical power drive systems - Part 5-1: Safety requirements - Electrical, thermal and energy (IEC 61800-5-1); German version EN 61800-5-1
EN61800-5-2	Adjustable speed electrical power drive systems - Part 5-2: Safety Requirements - Functional (IEC 22G/264/CD)
UL61800-5-1	American version of the EN61800-5-1 with „National Deviations“

### Basic standards to which drive controller standards refer directly

EN 55011	Industrial, scientific and medical equipment - Radio frequency disturbance characteristics - Limits and methods of measurement (CISPR 11); German version EN 55011
EN 55021	Interference to mobile radiocommunications in the presence of impulse noise - Methods of judging degradation and measures to improve performance (IEC/ CISPR/D/230/FDIS); German version prEN 55021
EN 60529	Degrees of protection provided by enclosures (IP Code) (IEC 60529)
EN 60664-1	Insulation coordination for equipment within low-voltage systems Part 1: Principles, requirements and tests (IEC 60664-1)
EN 60721-3-1	Classification of environmental conditions - Part 3-1: Classification of groups of environmental parameters and their severities - Section 1: Storage (IEC 60721-3-1); German version EN 60721-3-1
EN 60721-3-2	Classification of environmental conditions - Part 3: Classification of groups of environmental parameters and their severities - Section 2: Transportation and handling (IEC 104/670/CD)
EN 60721-3-3	Classification of environmental conditions - Part 3: Classification of groups of environmental parameters and their severities; section 3: Stationary use at weatherprotected locations; Amendment A2 (IEC 60721-3-3); German version EN 60721-3-3   1994)
EN 61000-2-1	Electromagnetic compatibility (EMC) - Part 2: Environment - Section 1: Description of the environment - Electromagnetic environment for low-frequency conducted disturbances and signalling in public power supply systems
EN 61000-2-4	Electromagnetic compatibility (EMC) - Part 2-4: Environment; Compatibility levels in industrial plants for low-frequency conducted disturbances (IEC 61000-2-4); German version EN 61000-2-4
EN 61000-4-2	Electromagnetic compatibility (EMC) - Part 4-2: Testing and measurement techniques - Electrostatic discharge immunity test (IEC 61000-4-2); German version EN 61000-4-2
EN 61000-4-3	Electromagnetic compatibility (EMC) - Part 4-3: Testing and measurement techniques - Radiated, radio-frequency, electromagnetic field immunity test (IEC 61000-4-3); German version EN 61000-4-3
EN 61000-4-4	Electromagnetic compatibility (EMC) - Part 4-4: Testing and measurement techniques - Electrical fast transient/burst immunity test (IEC 61000-4-4); German version EN 61000-4-4

## STANDARDS FOR DRIVE CONTROLLERS

EN61000-4-5	Electromagnetic compatibility (EMC) - Part 4-5: Testing and measurement techniques - Surge immunity test (IEC 61000-4-5); German version EN 61000-4-5
EN61000-4-6	Electromagnetic compatibility (EMC) - Part 4-6: Testing and measurement techniques - Immunity to conducted disturbances, induced by radio-frequency fields (IEC 61000-4-6); German version EN 61000-4-6
EN61000-4-34	Electromagnetic compatibility (EMC) - Part 4-34: Testing and measurement techniques - Voltage dips, short interruptions and voltage variations immunity tests for equipment with mains current more than 16 A per phase (IEC 61000-4-34); German version EN 61000-4-34
EN61508-1...7	Functional safety of electrical/electronic/programmable electronic safety-related systems – Part 1...7 (VDE 0803-1...7, IEC 61508-1...7)
EN62061	Safety of machinery - functional safety of electrical, electronic and programmable electronic safety-related systems (VDE 0113-50, IEC 62061)
EN ISO 13849-1	Safety of machinery - safety-related parts of control systems - Part 1: General principles for design (ISO 13849-1); German version EN ISO 13849-1

### Standards that are used in the environment of the drive controller

DGUV regulation 3	Electrical installations and equipment
DIN IEC 60364-5-54	Low-voltage electrical installations - Part 5-54: Selection and erection of electrical equipment - Earthing arrangements, protective conductors and protective bonding conductors (IEC 64/1610/CD)
DIN VDE 0100-729	Low-voltage electrical installations - Part 7-729: Requirements for special installations or locations - Operating or maintenance gangways (IEC 60364-7-729:2007, modified); German implementation HD 60364-7-729:2009
DNVGL-CG-0339	Environmental test specification for electrical, electronic and programmable equipment and systems
EN 1037	Safety of machinery - Prevention of unexpected start-up; German version EN 1037
EN 12502-1...5	Protection of metallic materials against corrosion - Part 1...5
EN 60204-1	Safety of machinery - electrical equipment of machines Part 1: General requirements (VDE 0113-1, IEC 44/709/CDV)
EN 60439-1	Low-voltage switchgear and controlgear assemblies - Part 1: Type-tested and partially type-tested assemblies (IEC 60439-1); German version EN 60439-1
EN 60947-7-1	Low-voltage switchgear and controlgear - Part 7-1: Ancillary equipment - Terminal blocks for copper conductors (IEC 60947-7-1:2009); German version EN 60947-7-1:2009
EN 60947-8	Low-voltage switchgear and controlgear - Part 8: Control units for built-in thermal protection (PTC) for rotating electrical machines (IEC 60947-8:2003 + A1:2006 + A2:2011)
EN 61373	Railway applications - Rolling stock equipment - Shock and vibration tests (IEC 61373); German version EN 61373
EN 61439-1	Low-voltage switchgear and controlgear assemblies - Part 1: General rules (IEC 121B/40/CDV); German version FprEN 61439-1
VGB S 455 P	Water treatment and use of materials in cooling systems
DIN EN 60939-1	Passive filter units for electromagnetic interference suppression - Part 1: Generic specification (IEC 60939-1:2010); German version EN 60939-1:2010

# 1 Basic Safety Instructions

The products are designed and constructed in accordance with state-of-the-art technology and the recognized safety rules and regulations. However, the use of such devices may cause functional hazards for life and limb of the user or third parties, or damages to the system and other material property.

The following safety instructions have been created by the manufacturer for the area of electric drive technology. They can be supplemented by local, country- or application-specific safety instructions. This list is not exhaustive. Violation of the safety instructions by the customer, user or other third party leads to the loss of all resulting claims against the manufacturer.

## NOTICE



### Hazards and risks through ignorance!

- ▶ Read the instructions for use!
- ▶ Observe the safety and warning instructions!
- ▶ If anything is unclear, please contact KEB Automation KG!

## 1.1 Target group

This instruction manual is determined exclusively for electrical personnel. Electrical personnel for the purpose of this instruction manual must have the following qualifications:

- Knowledge and understanding of the safety instructions.
- Skills for installation and assembly.
- Start-up and operation of the product.
- Understanding of the function in the used machine.
- Detection of hazards and risks of the electrical drive technology.
- Knowledge of *DIN IEC 60364-5-54*.
- Knowledge of national safety regulations.

## 1.2 Transport, storage and proper use

The transport is carried out by qualified persons in accordance with the environmental conditions specified in this manual. Drive controller shall be protected against excessive strains.



### Transport of drive controllers with an edge length >75 cm

The transport by forklift without suitable tools can cause a deflection of the heat sink. This leads to premature aging or destruction of internal components.

- ▶ Transport of drive controllers on suitable pallets.
- ▶ Do not stack drive controllers or burden them with other heavy objects.

## NOTICE

### Damage to the coolant connections

#### Bending of the tubes!

- ▶ Never place the device on the coolant connections



**Drive controllers contain electrostatic sensitive components.**

- ▶ Avoid contact.
- ▶ Wear ESD-protective clothing.

Do not store drive controllers

- in the environment of aggressive and/or conductive liquids or gases.
- with direct sunlight.
- outside the specified environmental conditions.

### 1.3 Installation

**⚠ DANGER**



**Do not operate in an explosive environment!**

- ▶ The product is not intended for the use in potentially explosive environment.

**⚠ CAUTION**



**Design-related edges and high weight!**

**Contusions and bruises!**

- ▶ Never stand under suspended loads.
- ▶ Wear safety shoes.
- ▶ Secure drive controller accordingly when using lifting gear.

To prevent damages to the device:

- Make sure that no components are bent and/or isolation distances are changed.
- The device must not be put into operation in case of mechanical defects.
- Do not allow moisture or mist to penetrate the unit.
- Avoid dust permeating the device. Allow for sufficient heat dissipation if installed in a dust-proof housing.
- Note installation position and minimum distances to surrounding elements. Do not cover the ventilation openings.
- Mount the drive controller according to the specified degree of protection.
- Make sure that no small parts fall into the COMBIVERT during assembly and wiring (drilling chips, screws etc.). This also applies to mechanical components, which can lose small parts during operation.
- Check the reliable fit of the device connections in order to avoid contact resistances and sparking.
- Do not walk-on drive controller.
- Follow all safety instructions!



## 1.4 Electrical connection

### DANGER

#### Voltage at the terminals and in the device!

##### Danger to life due to electric shock !

- ▶ Never work on the open device or never touch exposed parts.
- ▶ For any work on the unit switch off the supply voltage, secure it against switching on and check absence of voltage by measuring at the input terminals.
- ▶ Wait until all drives has been stopped in order that no regenerative energy can be generated.
- ▶ Await capacitor discharge time (5 minutes). Check absence of voltage by measuring at the DC terminals.
- ▶ If personal protection is required, install suitable protective devices for drive converters.
- ▶ Never bridge upstream protective devices (even for testing purposes).
- ▶ Connect the protective earth conductor always to drive converter and motor.
- ▶ Install all required covers and protective devices for operation.
- ▶ The control cabinet shall be kept closed during operation.
- ▶ Residual current: This product may cause a dc current in the protective earth conductor. When a residual current protective device (RCD) or a residual current monitoring device (RCM) is used for the protection against direct or indirect contact, only a RCD or RCM type B is permitted on the power supply side of this product.
- ▶ Drive converters with a leakage current  $> 3.5 \text{ mA AC}$  current (10 mA DC current) are intended for a stationary connection. Protective earth conductors must be designed in accordance with the local regulations for equipment with high leakage currents according to *EN 61800-5-1*, *EN 60204-1* or *DIN IEC 60364-5-54*.



If personnel protection is required during installation of the system, suitable protective devices must be used for drive controllers.

[www.keb.de/fileadmin/media/Techinfo/dr/tn/ti\\_dr\\_tn-rcd-00008\\_en.pdf](http://www.keb.de/fileadmin/media/Techinfo/dr/tn/ti_dr_tn-rcd-00008_en.pdf)



Installations which include drive controller shall be equipped with additional control and protective devices in accordance with the relevant applicable safety requirements, e.g. act respecting technical equipment, accident prevention rules etc. They must always be complied with, also for drive controller bearing a CE marking.

For a trouble-free and safe operation, please pay attention to the following instructions:

- The electrical installation shall be carried out in accordance with the relevant requirements.
- Cable cross-sections and fuses must be dimensioned by the user according to the specified minimum/maximum values for the application.
- The wiring must be made with flexible copper cable for a temperature > 75°C.
- Connection of the drive converter is only permissible on symmetrical networks with a maximum line voltage (L1, L2, L3) with respect to earth (N/PE) of max. 300 V, USA UL: 480 / 277 V. An isolating transformer must be used for supply networks which exceed this value! In case of non-compliance the control is not longer considered to be a PELV circuit.
- With existing or newly wired circuits the person installing the units or machines must ensure that the PELV requirements are met.
- For drive converters that are not isolated from the supply circuit (in accordance with [EN 60721-3-2](#)) all control lines must be included in other protective measures (e.g. double insulation or shielded, earthed and insulated).
- When using components without isolated inputs/outputs, it is necessary that equipotential bonding exists between the components to be connected (e.g. by the equipotential line). Disregard can cause destruction of the components by equalizing currents.

### 1.4.1 EMC-compatible installation

Observance of the limit values required by EMC law is the responsibility of the customer.



Notes on EMC-compatible installation can be found here.  
[www.keb.de/fileadmin/media/Manuals/dr/emv/0000neb0000.pdf](http://www.keb.de/fileadmin/media/Manuals/dr/emv/0000neb0000.pdf)



### 1.4.2 Voltage test

Testing with AC voltage (in accordance with [EN 60204-1](#) chapter 18.4) may not be executed, since there is danger for the power semiconductors in the drive controller.



Due to the radio interference suppression capacitors, the test generator will switch off immediately with a current fault.



According to [EN 60204-1](#) it is permissible to disconnect already tested components. Drive controllers of the KEB Automation KG are delivered ex works voltage tested to 100% according to product standard.

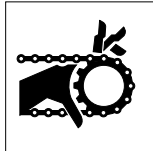
### 1.4.3 Insulation measurement

An insulation measurement (in accordance with [EN 60204-1](#) chapter 18.3) with DC 500 V is permissible, if all power unit connections (grid-connected potential) and all control connections are bridged with PE. The insulation resistance of the respective device can be found in the technical data.

## 1.5 Start-up and operation

The start-up (i.e. for the specified application) is forbidden until it is determined that the installation complies with the machine directive; account is to be taken of [EN 60204-1](#).

### ⚠ WARNING



#### Software protection and programming!

##### Hazards caused by unintentional behavior of the drive!

- ▶ Check especially during initial start-up or replacement of the drive controller if parameterization is compatible to application.
- ▶ Securing a unit solely with software-supported functions is not sufficient. It is imperative to install external protective measures (e.g. limit switch) that are independent of the drive controller.
- ▶ Secure motors against automatic restart.

### ⚠ CAUTION



#### High temperatures at heat sink and coolant!

##### Burning of the skin!

- ▶ Cover hot surfaces safe-to-touch.
- ▶ If necessary, attach warning signs on the system.
- ▶ Before touching, check the surface and coolant lines.
- ▶ Before working let the unit cool down.

- During operation, all covers and doors shall be kept closed.
- Use only approved accessories for this device.
- Never touch terminals, busbars or cable ends.



If a drive controller with electrolytic capacitors in a DC link has not been in operation for more than one year, observe the following instructions.

[www.keb.de/fileadmin/media/Techinfo/dr/tn/ti\\_dr\\_tn-format-capacitors-00009\\_en.pdf](http://www.keb.de/fileadmin/media/Techinfo/dr/tn/ti_dr_tn-format-capacitors-00009_en.pdf)



### ⚠ CAUTION



#### High sound level during operation!

##### Hearing damage possible!

- ▶ Wear hearing protection!

### NOTICE

#### Continuous operation (S1) with load > 60% or from a rated motor power of 55 kW!

##### Premature ageing of the electrolytic capacitors!

- ▶ Mains choke with  $U_k = 4\%$  absolutely necessary.

### **Switching at the output**

Switching between motor and drive controller is prohibited for single drives during operation as this may trigger the protection gear of the device. Function ‚speed search‘ must be activated if switching can not be avoided. Speed search may only be triggered after closing the motor contactor (e.g. by switching the control release).

Connecting and disconnecting is permissible with multiple motor drives if at least 1 motor is running during the switch-over process. The drive controller must be dimensioned to the occurring starting currents.

The ‚speed search‘ function must be activated if the motor is still running during a restart of the drive controller (mains on) (e.g. due to large rotating masses).

### **Switching at the input**

For applications that require cyclic switching off and on of the drive controller, maintain an off-time of at least 5 min after the last switch on. If you require shorter cycle times please contact KEB Automation KG.

### **Short-circuit resistance**

The drive converters are conditional short-circuit proof. After resetting the internal protection devices, the function as directed is guaranteed.

Exceptions:

- If an earth-leakage fault or short-circuit often occurs at the output, this can lead to a defect in the unit.
- If a short-circuit occurs during regenerative operation (2nd or 4th quadrant, regeneration into the DC link), this can lead to a defect in the unit.

## **1.6 Maintenance**

The following maintenance work has to be carried out when required, but at least once per year by authorized and trained personnel. Check unit for loose screws and plugs and tighten if necessary.

- ▶ Check system for loose screws and plugs and tighten if necessary.
- ▶ Clean drive controller from dirt and dust deposits. Pay attention especially to cooling fins and protective grid of the fans.
- ▶ Examine and clean extracted air filter and cooling air filter of the control cabinet.
- ▶ Check the function of the fans of the drive controller. The fan must be replaced in case of audible vibrations or squeak.
- ▶ In the case of liquid-cooled drive controllers a visual test of the cooling circuit for leaks and corrosion must be carried out. The cooling circuit must be completely empty if a unit shall be switched off for a longer period. The cooling circuit must be blown out additionally with compressed air at temperatures below 0°C.

## 1.8 Repair

In case of malfunction, unusual noises or smells inform a person in charge!

### DANGER



#### Unauthorized exchange, repair and modifications!

##### Unpredictable malfunctions!

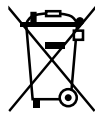
- ▶ The function of the drive controller is dependent on its parameterization. Never replace without knowledge of the application.
- ▶ Modification or repair is permitted only by KEB Automation KG authorized personnel.
- ▶ Only use original manufacturer parts.
- ▶ Infringement will annul the liability for resulting consequences.

In case of failure, please contact the machine manufacturer. Only the machine manufacturer knows the parameterisation of the used drive controller and can provide an appropriate replacement or induce the maintenance.

## 1.7 Disposal

Electronic devices of the KEB Automation KG are exclusively professional devices for further industrial processing (so-called B2B devices).

Manufacturers of B2B devices are obliged to take back and recycle devices manufactured after 14.08.2018. These devices may not be disposed at the collection centres of public sector disposal organisations.



If no deviating agreement has been made between the customer and KEB or no deviating mandatory legal regulation exists, KEB products marked in this way can be returned. Company and keyword to the return point can be taken from the list below. Shipping costs are paid by the customer. Thereupon the devices will be professionally recycled and disposed.

The entry numbers are listed country-specific in the following table. The corresponding KEB return addresses can be found on our website.

Withdrawal by	WEEE-Reg.-No.	Keyword
<b>Austria</b>		
KEB Automation GmbH	ERA: 51976	Stichwort „Rücknahme WEEE“
<b>France</b>		
RÉCYLUM - Recycle point	ADEME: FR021806	Mots clés „KEB DEEE“
<b>Germany</b>		
KEB Automation KG	EAR: DE12653519	Stichwort „Rücknahme WEEE“
<b>Italy</b>		
COBAT	AEE: (IT) 1903000011216	Parola chiave „Ritiro RAEE“
<b>Spain</b>		
KEB Automation KG	RII-AEE 7427	Palabra clave „Retirada RAEE“
<b>Česko</b>		
KEB Automation KG	RETELA 09281/20 ECZ	Klíčové slovo: Zpětný odběr OEEZ
<b>Slowakei</b>		
KEB Automation KG	ASEKOL: RV22EEZ0000421	Klíčové slovo: "Spätný odber OEEZ"

The packaging must be feed to paper and cardboard recycling.

## 2 Product Description

The device series COMBIVERT F6 concerns to drive controllers, which are optimized for operation at synchronous and asynchronous motors.

The COMBIVERT can be extended with a safety module for the use in safety-oriented applications. The COMBIVERT F6 series are drive converters with functional safety, optimized for operation at synchronous and asynchronous motors.

Various safety functions are available for different applications. It can be operated with a fieldbus module at different fieldbus systems. The control board has a system comprehensive operating concept.

The COMBIVERT complies with the requirements of the Machinery Directive. The possible functions are certified via a type test.

The COMBIVERT is a product of limited availability in accordance with [EN 61800-3](#). This product may cause radio interference in residential areas. In this case the operator may need to take corresponding measures.

The Machinery Directive, EMC Directive, Low Voltage Directive and other directives and regulations must be observed

### 2.1 Specified application

The COMBIVERT serves exclusively for the control and regulation of three-phase motors. It is intended for the installation into electrical systems or machines.

Technical data and information for connection conditions shall be taken from the nameplate and from the instructions for use and must be strictly observed.

The used semiconductors and components of the KEB Automation KG are developed and dimensioned for the use in industrial products.

#### **Restriction**

If the product is used in machines, which work under exceptional conditions or if essential functions, life-supporting measures or an extraordinary safety step must be fulfilled, the necessary reliability and security must be ensured by the machine builder.

#### 2.1.1 Residual risks

Despite intended use, the drive converter can reach unexpected operating conditions in case of error, with wrong parameterization, by faulty connection or unprofessional interventions and repairs. This can be:

- wrong direction of rotation
- motor speed too high
- motor is running into limitation
- motor can be under voltage even in standstill
- automatic start

### 2.2 Unintended use

The operation of other electric consumers is prohibited and can lead to the destruction of the devices. The operation of our products outside the indicated limit values of the technical data leads to the loss of any liability claims.

## 2.3 Product features

These instructions for use describe the power units of the following devices:

Device type:	drive controller
Series:	COMBIVERT F6
Power range:	2.2...7.5 kW / 230 V 4...15 kW / 400 V
Housing:	2

The COMBIVERT F6 is characterized by the following features:

- Operation of three-phase asynchronous motors and three-phase synchronous motors, in operating modes open-loop or closed-loop with and without speed feedback
- Following fieldbus systems are supported:  
EtherCAT, VARAN, PROFINET, POWERLINK or CAN
- System-overlapping operating concept
- Wide operating temperature range
- Low switching losses by IGBT power unit
- Low noise development due to high switching frequencies
- Different heat sink concepts
- Temperature-controlled fan, easily replaceable
- Torque limits and s-curves are adjustable to protect gearboxes
- General protection functions of the COMBIVERT series against overcurrent, overvoltage, ground fault and overtemperature
- Analog inputs and outputs, digital inputs and outputs, relay output (potential-free), brake control and -supply, motor protection by I<sup>2</sup>t, KTY- or PTC input, two encoder interfaces, diagnostic interface, fieldbus interface (depending on the control board)
- Integrated safety function according to [EN 61800-5-2](#)

2.4 Part code

xx F6 xx-x-xx-xx

Heat sink version

1: Air-cooler, mounted version
2: Liquid cooler (water), mounted version
3: Air-cooler, through-mount version IP54-ready
4: Liquid cooler (water), through-mount version IP54-ready
5: Air-cooler, through-mount version IP20
6: Liquid cooler (water), trough-mount version IP54-ready, sub-mounted braking resistors
7: Liquid cooler (oil), through-mount version IP54-ready
9: Liquid cooler (water), mounted version, sub-mounted braking resistors
A: Liquid cooler (water), mounted version, High Performance, sub-mounted braking resistors
B: Liquid cooler (water), through-mount version, IP54-ready, High Performance, sub-mounted braking resistors
C: Air-cooler, mounted version, Version 2
D: Air-cooler, mounted version, High-Performance
E: Liquid cooler (water), mounted version, High-Performance
F: Air-cooler, through-mount version IP54-ready, High-Performance
G: Liquid cooler (water), trough-mount version IP54-ready, High-Performance
H: Air-cooler,, Convektion, trough-mount version IP54-ready

Control board variant

<b>APPLIKATION</b>
1: Multi Encoder Interface, CAN <sup>® 2)</sup> , Real-Time Ethernet-busmodule <sup>3)</sup>
B Multi Encoder Interface, CAN <sup>® 2)</sup> , Real-Time Ethernet-busmodule <sup>3)</sup> , Alternative connector
<b>KOMPAKT</b>
1: Multi Encoder Interface, CAN <sup>® 2)</sup> , STO, EtherCAT <sup>® 1)</sup>
2: Multi Encoder Interface, CAN <sup>® 2)</sup> , STO, VARAN
<b>PRO</b>
0: No Encoder, CAN <sup>® 2)</sup> , Real-Time Ethernetinterface <sup>3)</sup>
1: Multi Encoder Interface, CAN <sup>® 2)</sup> , Real-Time Ethernet interface <sup>3)</sup>
3: Multi Encoder Interface, CAN <sup>® 2)</sup> , Real-Time Ethernet interface <sup>3)</sup> , RS485-potential free
4: No Encoder, CAN <sup>® 2)</sup> , Real-Time Ethernetinterface <sup>3)</sup> , safe relay
5: Multi Encoder Interface, CAN <sup>® 2)</sup> , Real-Time Ethernet interface <sup>3)</sup> , safety relay
B: Multi Encoder Interface, CAN <sup>® 2)</sup> , Real-Time Ethernet interface <sup>3)</sup> , alternative connector

*continued on the next page*



<b>x x</b>	<b>F 6</b>	<b>x</b>	<b>x</b>	<b>x</b>	<b>-x</b>	<b>x</b>	<b>x</b>	<b>x</b>
		Switching frequency, Software current limit, Turn-off current		0: 2 kHz / 125% / 150%	8: 2 kHz / 180% / 216%			
				1: 4 kHz / 125% / 150%	9: 4 kHz / 180% / 216%			
				2: 8 kHz / 125% / 150%	A: 8 kHz / 180% / 216%			
				3: 16 kHz / 125% / 150%	B: 8 kHz / HSD			
				4: 2 kHz / 150% / 180%	C: 6 kHz / HSD			
				5: 4 kHz / 150% / 180%	Non standard switching		D: frequency / Overload characteristic	
				6: 8 kHz / 150% / 180%	E: Special Device			
				7: 16 kHz / 150% / 180%				
		Voltage / Connection type		1: 3ph 230 V AC/DC with braking transistor				
				2: 3ph 230 V AC/DC without braking transistor				
				3: 3ph 400 V AC/DC with braking transistor				
				4: 3ph 400 V AC/DC without braking transistor				
				A: 3ph 400 V AC/DC incl. GTR7 / max. rectifier / max. pre-charging				
				B: 3ph 400 V AC/DC without GTR7 / max. rectifier / max. pre-charging				
				C: 3ph 400 V AC/DC. GTR7-variant 2				
				D: 3ph 400 V AC/DC GTR7-variant 2 / max. rectifier / max. pre-charging				
		Housing		2...9				
		Equipment		1: Safety module type 1 /STO at control type K				
				3: Safety module type 3				
				4: Safety module type 4				
				5: Safety module type 5				
		Control type		A: APPLICATION				
				K: COMPACT				
				P: PRO				
		Series		COMBIVERT F6				
		Inverter size		10...33				

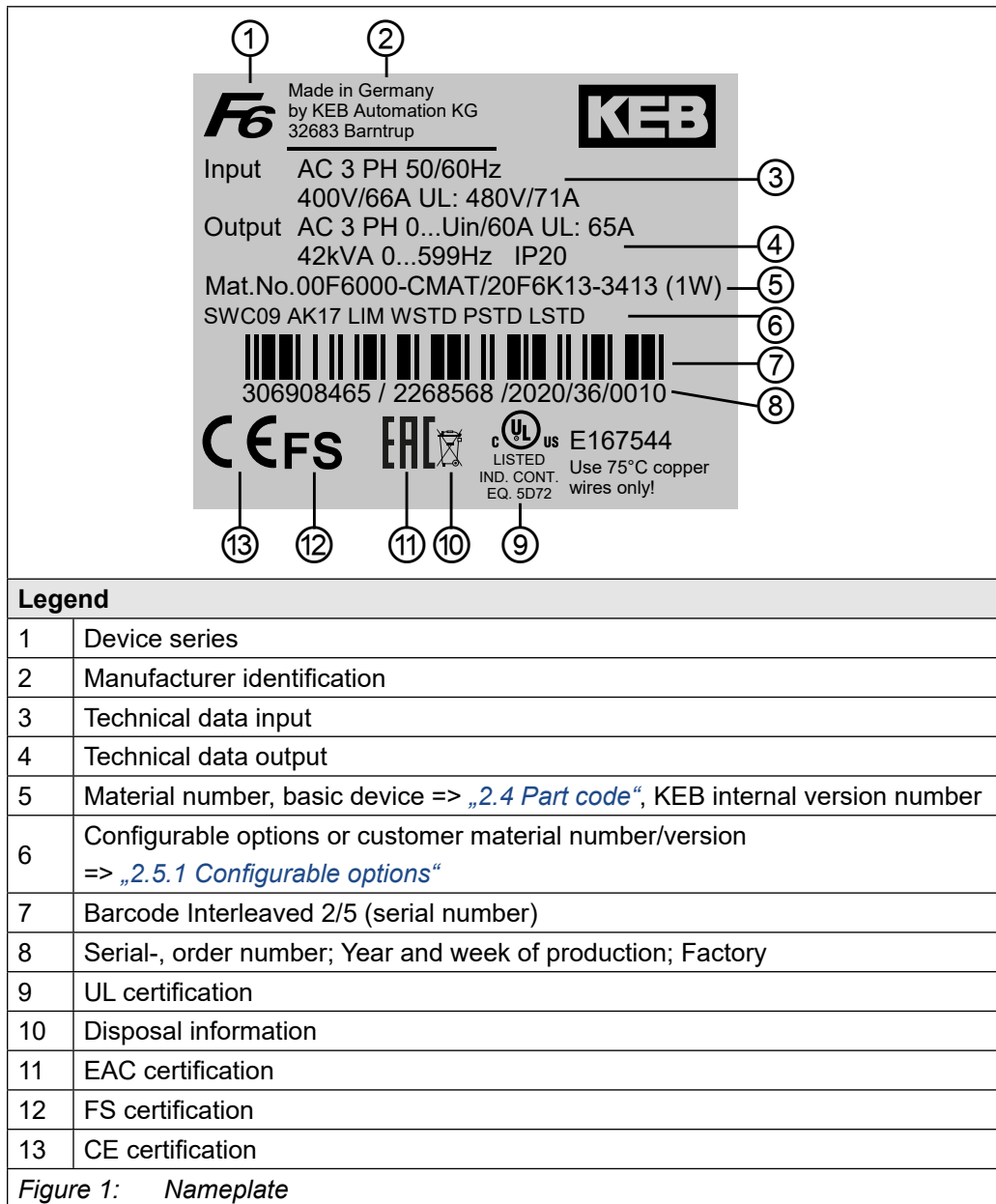
Table 1: Part code

- 1) EtherCAT® is registered trademark and patented technology, licensed by Beckhoff Automation GmbH, Germany
- 2) CANopen® is registered trademark of CAN in AUTOMATION - International Users and Manufacturers Group e.V.
- 3) The Real-Time Ethernetbusmodul / Real-Time Ethernet interface contains various fieldbus control types which can be adjusted by software (parameter fb68)



The part code may not be used as order code, but only for identification!

## 2.5 Nameplate



2.5.1 Configurable options

Features	Feature values	Description
Software	SWxxx <sup>1)</sup>	Software status of the drive converter
Accessories	Axxx <sup>1)</sup>	Selected accessories
	NAK	No accessories
Output frequency activation	LIM	Limitation to 599 Hz
	ULO	> 599 Hz activated
Warranty	WSTD	Warranty - Standard
	Wxxx <sup>1)</sup>	Warranty extension
Parameterization	PSTD	Parameterization - Standard
	Pxxx <sup>1)</sup>	Parameterization - Customer-specific
Nameplate logo	LSTD	Logo - Standard
	Lxxx <sup>1)</sup>	Logo - Customer-specific
<i>Figure 2: Configurable options</i>		

<sup>1)</sup> „x“ indicates a variable value

### 3 Technical data

Unless otherwise indicated, all electrical data in the following chapter refer to a 3-phase AC mains.

#### 3.1 Operating conditions

##### 3.1.1 Climatic environmental conditions

Storage		Standard	Class	Descriptions
Ambient temperature		EN 60721-3-1	1K4	-25...55 °C
Relative humidity		EN 60721-3-1	1K3	5...95 % (without condensation)
Storage height		–	–	Max. 3000 m above sea level
Transport		Standard	Class	Descriptions
Ambient temperature		EN 60721-3-2	2K3	-25...70 °C
Relative humidity		EN 60721-3-2	2K3	95 % at 40 °C (without condensation)
Operation		Standard	Class	Descriptions
Ambient temperature		EN 60721-3-3	3K3	5...40 °C (extended to -10...45 °C)
Coolant inlet temperature	Air	–	–	5...40 °C (extended to -10...45 °C)
Relative humidity		EN 60721-3-3	3K3	5...85 % (without condensation)
Version and degree of protection		EN 60529	IP20	Protection against foreign material > ø12.5 mm No protection against water Non-conductive pollution, occasional condensation when PDS is out of service. Drive controller generally, except power connections and fan unit (IPxxA)
Site altitude		–	–	Max. 2000 m above sea level • With site altitudes over 1000 m a derating of 1 % per 100 m must be taken into consideration. • With site altitudes over 2000 m, the control board to the mains has only basic isolation. Additional measures must be taken when wiring the control.

Table 2: Climatic environmental conditions

3.1.2 Mechanical environmental conditions

Storage	Standard	Class	Descriptions
Vibration limits	EN 60721-3-1	1M2	Vibration amplitude 1.5 mm (2...9 Hz) Acceleration amplitude 5 m/s <sup>2</sup> (9...200 Hz)
Shock limit values	EN 60721-3-1	1M2	40 m/s <sup>2</sup> ; 22 ms
Transport	Standard	Class	Descriptions
Vibration limits	EN 60721-3-2	2M1	Vibration amplitude 3.5 mm (2...9 Hz) Acceleration amplitude 10 m/s <sup>2</sup> (9...200 Hz) (Acceleration amplitude 15 m/s <sup>2</sup> (200...500 Hz)) <sup>1)</sup>
Shock limit values	EN 60721-3-2	2M1	100 m/s <sup>2</sup> ; 11 ms
Operation	Standard	Class	Descriptions
Vibration limits	EN 60721-3-3	3M4	Vibration amplitude 3.0 mm (2...9 Hz) Acceleration amplitude 10 m/s <sup>2</sup> (9...200 Hz)
	EN 61800-5-1	–	Vibration amplitude 0.075 mm (10...57 Hz) Acceleration amplitude 10 m/s <sup>2</sup> (57...150 Hz)
Shock limit values	EN 60721-3-3	3M4	100 m/s <sup>2</sup> ; 11 ms

Table 3: Mechanical environmental conditions

<sup>1)</sup> Not tested

3.1.3 Chemical / mechanical active substances

Storage	Standard	Class	Descriptions	
Contamination	EN 60721-3-1	Gases	1C2	–
		Solids	1S2	–
Transport	Standard	Class	Descriptions	
Contamination	EN 60721-3-2	Gases	2C2	–
		Solids	2S2	–
Operation	Standard	Class	Descriptions	
Contamination	EN 60721-3-3	Gases	3C2	–
		Solids	3S2	–

Table 4: Chemical / mechanical active substances

**3.1.4 Electrical operating conditions**

3.1.4.1 Device classification

Requirement	Standard	Class	Descriptions
Overtoltage category	<a href="#">EN 61800-5-1</a>	III	–
Pollution degree	<a href="#">EN 60664-1</a>	2	Non-conductive pollution, occasional condensation when PDS is out of service

Table 5: Device classification

3.1.4.2 Electromagnetic compatibility

For devices without an internal filter, an external filter is required to comply with the following limits.

EMC emitted interference	Standard	Class	Descriptions
Conducted interference emission	<a href="#">EN 61800-3</a>	C2 / C3	The specified value is only maintained in connection with a filter. Information on interference suppression (max. switching frequency, cable length) can be found in the corresponding filter instructions.
Radiated emitted interference	<a href="#">EN 61800-3</a>	C2	–
Immunity	Standard	Level	Descriptions
Static discharges	<a href="#">EN 61000-4-2</a>	8 kV 4 kV	AD (air discharge) CD (contact discharge)
Burst - Ports for process measurement control lines and signal interfaces	<a href="#">EN 61000-4-4</a>	2 kV	–
Burst - AC - Power ports	<a href="#">EN 61000-4-4</a>	4 kV	–
Surge - Power ports	<a href="#">EN 61000-4-5</a>	1 kV 2 kV	Phase-phase Phase-ground
Conducted immunity, induced by high-frequency fields	<a href="#">EN 61000-4-6</a>	10 V	0.15...80 MHz
Electromagnetic fields	<a href="#">EN 61000-4-3</a>	10 V/m 3 V/m 1 V/m	80 MHz...1 GHz 1.4...2 GHz 2...2.7 GHz
Voltage fluctuations/ voltage dips	<a href="#">EN 61000-2-1</a> <a href="#">EN 61000-4-34</a>	–	-15 %...+10 % Class 3
Frequency changes	<a href="#">EN 61000-2-4</a>	–	≤ 2 %
Voltage deviations	<a href="#">EN 61000-2-4</a>	–	±10 %
Voltage unbalances	<a href="#">EN 61000-2-4</a>	–	≤ 3 %

Table 6: Electromagnetic compatibility

### 3.2 Device data of the 230 V devices

#### 3.2.1 Overview of the 230 V devices

The technical data are for 2/4-pole standard motors. With other pole numbers the drive controller must be dimensioned onto the rated motor current. Contact KEB for special or medium frequency motors.

Device size		10	12	13	14
<b>Housing</b>		<b>2</b>			
Rated apparent output power	$S_{out}$ / kVA	4.4	7	9.6	13
Max. rated motor power	<sup>1)</sup> $P_{mot}$ / kW	2.2	4	5.5	7.5
Rated input voltage	$U_N$ / V	230 (UL: 240)			
Input voltage range	$U_{in}$ / V	170...264			
Mains phases		3			
Mains frequency	$f_N$ / Hz	50 / 60 ±2			
Rated input current @ $U_N = 230V$	$I_{in}$ / A	15.3	23	31	43
Rated input current @ $U_N = 240V$	$I_{in\_UL}$ / A	15.3	23	31	43
Insulation resistance @ $U_{dc} = 500V$	$R_{iso}$ / MΩ	> 20			
Output voltage	$U_{out}$ / V	0... $U_{in}$			
Output frequency	<sup>2)</sup> $f_{out}$ / Hz	0...599			
Output phases		3			
Rated output current @ $U_N = 230V$	$I_N$ / A	11	17.5	24	33
Rated output current @ $U_N = 240V$	$I_{N\_UL}$ / A	11	17.5	24	33
Rated output overload (60 s)	<sup>3) 4)</sup> $I_{60s}$ / %	150			
Software current limit	<sup>3)</sup> $I_{lim}$ / %	180		150	
Overcurrent	<sup>3)</sup> $I_{oc}$ / %	216		180	
Rated switching frequency	$f_{SN}$ / kHz	8	8	4	4
Max. switching frequency	<sup>5)</sup> $f_{S\_max}$ / kHz	16			
Power dissipation at rated operation	<sup>1)</sup> $P_D$ / W	123	168	186	267
Overload current over time	<sup>3)</sup> $I_{OL}$ / %	=> „3.2.3.1 Overload characteristic (OL) for 230 V devices“			
Maximum current 0Hz/50Hz at $f_s = 2$ kHz	$I_{out\_max}$ / %	216/216	216/216	171/180	170/180
Maximum current 0Hz/50Hz at $f_s = 4$ kHz	$I_{out\_max}$ / %	200/216	206/216	150/180	155/180
Maximum current 0Hz/50Hz at $f_s = 8$ kHz	$I_{out\_max}$ / %	173/216	171/216	125/180	120/180
Maximum current 0Hz/50Hz at $f_s = 16$ kHz	$I_{out\_max}$ / %	127/216	126/216	92/180	94/180
<i>continued on the next page</i>					

## DEVICE DATA OF THE 230 V DEVICES

Device size	10	12	13	14
<b>Housing</b>	<b>2</b>			
Max. braking current $I_{B\_max} / A$	21.5			33.6
Min. braking resistor value $R_{B\_min} / \Omega$	19			12
Braking transistor <sup>6)</sup>	Max. cycle time: 120 s; Max c.d.f.: 50 %			
Protective function for braking transistor	No protection function available			
Max. motor cable length shielded <sup>7</sup> // m	100			
<i>Table 7: Overview of the 230 V device data</i>				

<sup>1)</sup> Rated operation corresponds to  $U_N = 230V$ , rated switching frequency, output frequency = 50 Hz (4-pole standard asynchronous motor).

<sup>2)</sup> The output frequency is to be limited in such a way that it does not exceed 1/10 of the switching frequency. Notice! Devices with a maximum output frequency higher than 599Hz are subject to export restrictions.h

<sup>3)</sup> The values refer in % to the rated output current  $I_N$ .

<sup>4)</sup> Observe limitations „3.2.3.1 Overload characteristic (OL) for 230 V devices“.

<sup>5)</sup> A detailed description of the derating „3.4.2 Switching frequency and temperature of the 230 V devices“.

<sup>6)</sup> The cyclic duration factor is additionally limited by the used braking resistor.

<sup>7)</sup> The maximum cable length depends on various factors. Further information can be found in the corresponding filter instructions.

### 3.2.2 Voltage and frequencies for 230V devices

Input voltages and frequencies		
Rated input voltage	$U_N / V$	230
Rated mains voltage (USA)	$U_{N\_UL} / V$	240
Input voltage range	$U_{IN} / V$	170...264
Input phases		3
Mains frequency	$f_N / Hz$	50/60
Mains frequency tolerance	$\pm f_N / Hz$	2
<i>Table 8: Input voltages and frequencies of the 230V devices</i>		

DC link voltage		
DC link rated voltage @ $U_N = 400V$	$U_{N\_dc} / V$	325
DC link rated voltage @ $U_{N\_UL} = 480V$	$U_{N\_UL\_dc} / V$	339
DC link voltage working voltage range	$U_{IN\_dc} / V$	240...373
<i>Table 9: DC link voltage for 230V devices</i>		



Output voltages and frequencies		
Output voltage at AC supply	<sup>1)</sup> $U_{out} / V$	0... $U_{in}$
Output frequency	<sup>2)</sup> $f_{out} / Hz$	0...599
Output phase		3

Table 10: Output voltages and frequencies of the 230V devices

- <sup>1)</sup> The voltage to the motor is dependent on the actual input voltage and the control method („Example of the calculation of the possible motor voltage 230V:“).
- <sup>2)</sup> The output frequency is to be limited in such a way that it does not exceed 1/10 of the switching frequency. Devices with a maximum output frequency higher than 599Hz are restricted for exportt.

3.2.2.1 Example of the calculation of the possible motor voltage 230V:

The motor voltage for dimensioning of the drive is depending on the used components. The motor voltage reduces according to the following table:

Component	Reduction / %	Example
Mains choke $U_k$	4	Example: open-loop drive converter with mains- and motor choke at non-rigid supply system: 230 V mains voltage - 11 % = 204,7 V motor voltage
Drive converter open-loop	4	
Drive converter closed-loop	8	
Motor choke $U_k$	1	
Non-rigid supply system	2	

Table 11: Example of the calculation of the possible motor voltage 230V:

3.2.3 Input and output currents / overload for 230 V devices

Device size		10	12	13	14
Rated input current @ $U_N = 230V$	<sup>1)</sup> $I_{in} / A$	15.3	23	31	43
Rated input current @ $U_{N\_UL} = 240V$	<sup>1)</sup> $I_{in\_UL} / A$	15.3	23	31	43

Table 12: Input currents of the 230 V devices

- <sup>1)</sup> The values resulting from rated operation with B6 rectifier circuit and mains choke 4%  $U_k$ .

Device size		10	12	13	14
Rated output current @ $U_N = 230V$	$I_N / A$	11	17.5	24	33
Rated output current @ $U_{N\_UL} = 240V$	$I_{N\_UL} / A$	11	17.5	24	33
Rated output overload (60s)	<sup>1)</sup> $I_{60s} / \%$	150			
Overload current	<sup>1)</sup> $I_{OL} / \%$	„3.2.3.1 Overload characteristic (OL) for 230 V devices“			
Software current limit	<sup>1) 2)</sup> $I_{lim} / \%$	180		150	
Overcurrent	<sup>1)</sup> $I_{oc} / \%$	216		180	

Table 13: Output currents of the 230 V devices

- <sup>1)</sup> The values refer in % to the rated output current  $I_N$ .
- <sup>2)</sup> Limitation of the current setpoint in closed-loop operation. This setpoint limit is not active in v/f operation.

3.2.3.1 Overload characteristic (OL) for 230 V devices

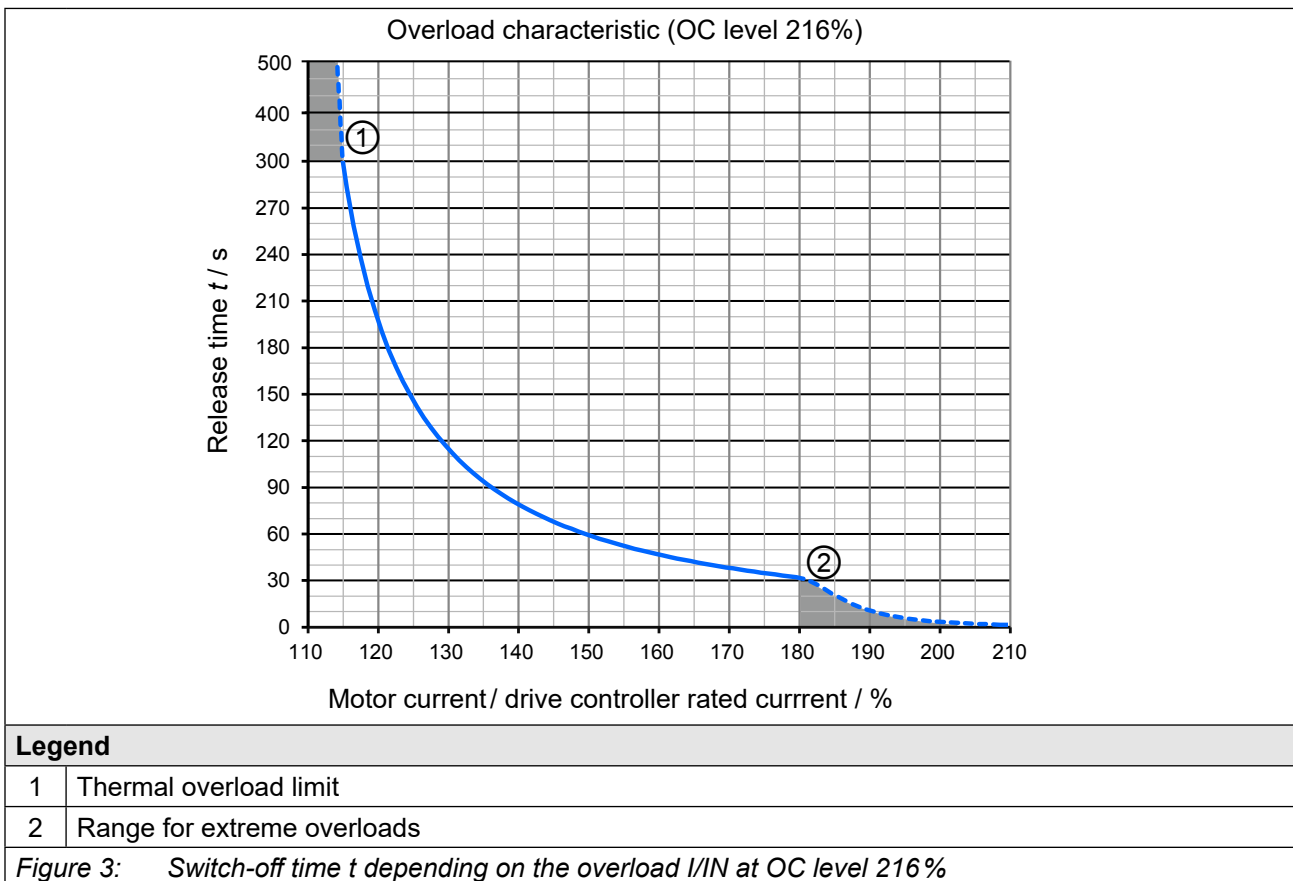
All drive controllers can be operated at rated switching frequency with an utilisation of 150 % for 60 s.

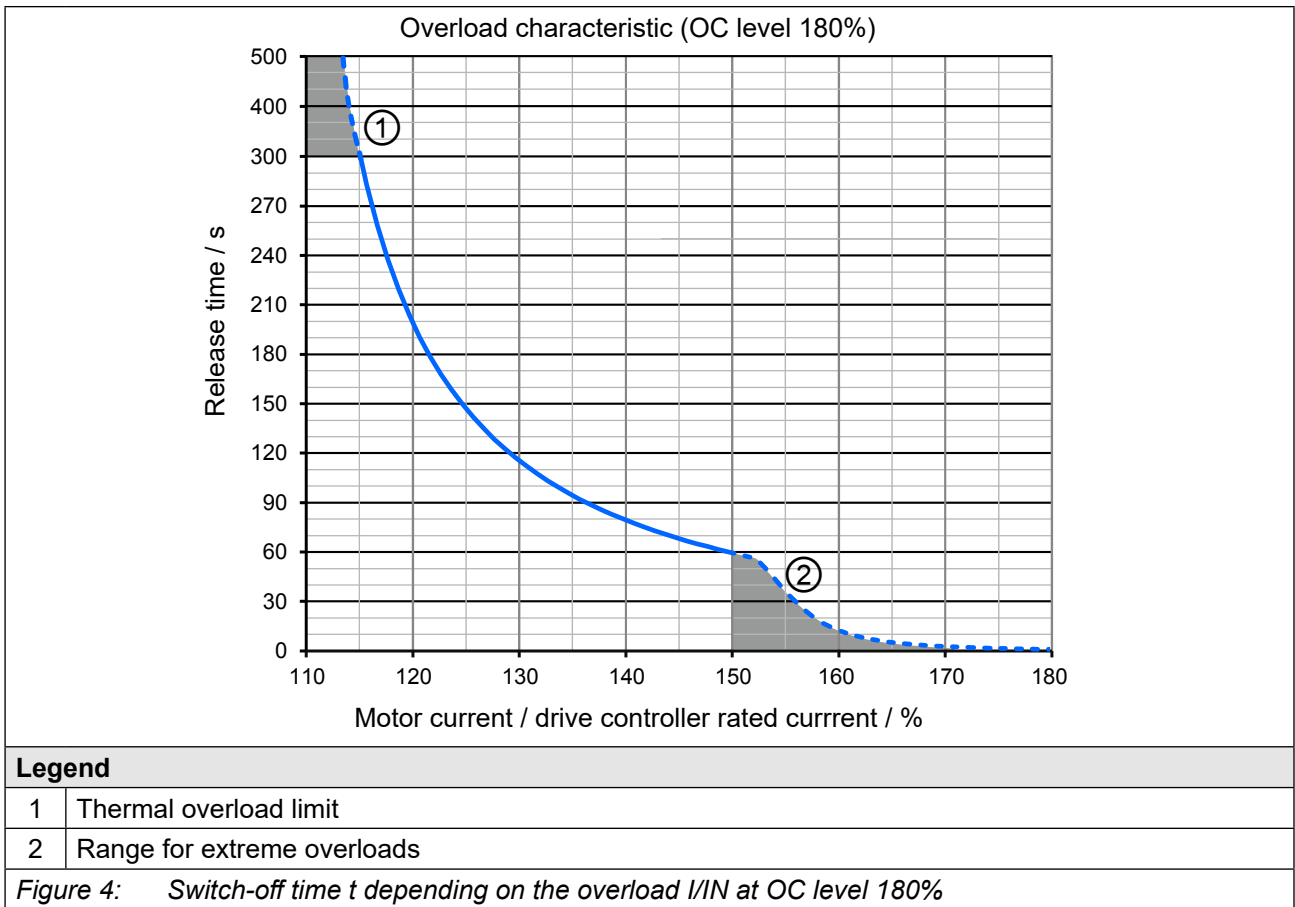
The OL overload function is a root mean square (RMS) function. The greater the difference between the overload and underload phases, the greater the deviation of the RMS from the arithmetic mean value.

For extreme overloads (=> „Figure 3: Switch-off time  $t$  depending on the overload  $I/I_N$  at OC level 216%“ or „Figure 4: Switch-off time  $t$  depending on the overload  $I/I_N$  at OC level 180%“) the load is weighted more heavily. This means the load is provided with a factor for the calculation of the RMS value, by way that the overload protection function triggers, even if the RMS value does not reach 100%.

**Restrictions:**

- The thermal design of the heat sink is based on the rated operation. The following values are taken into account: Rated output current, ambient temperature, rated switching frequency, rated voltage.
- At high ambient temperatures and/or high heat sink temperatures (for example, by preceding utilisation nearby 100%) the drive controller can change to overtemperature error before triggering the protective function OL.
- At low output frequencies or switching frequencies higher than the rated switching frequency, the frequency-dependent maximum current can be exceeded before triggering the overload error OL and error OL2 can be triggered (=> „3.2.3.2 Frequency-dependent maximum current (OL2) for 230V devices“).





- On exceeding a load of 105 % the overload integrator starts.
- When falling below the integrator counts backwards.
- If the integrator reaches the overload characteristic "Error overload (OL)" is triggered.

After a cooling down period, the integrator can be reset now. The drive controller must remain switched on during the cooling down phase.

**Operation in the range of the thermal overload limit**

Due to the high steepness of the overload characteristic, the duration of a permissible overload in this range ① cannot be determined exactly. Therefore, the design of the drive controller should be assumed to have a maximum overload time of 300 s.

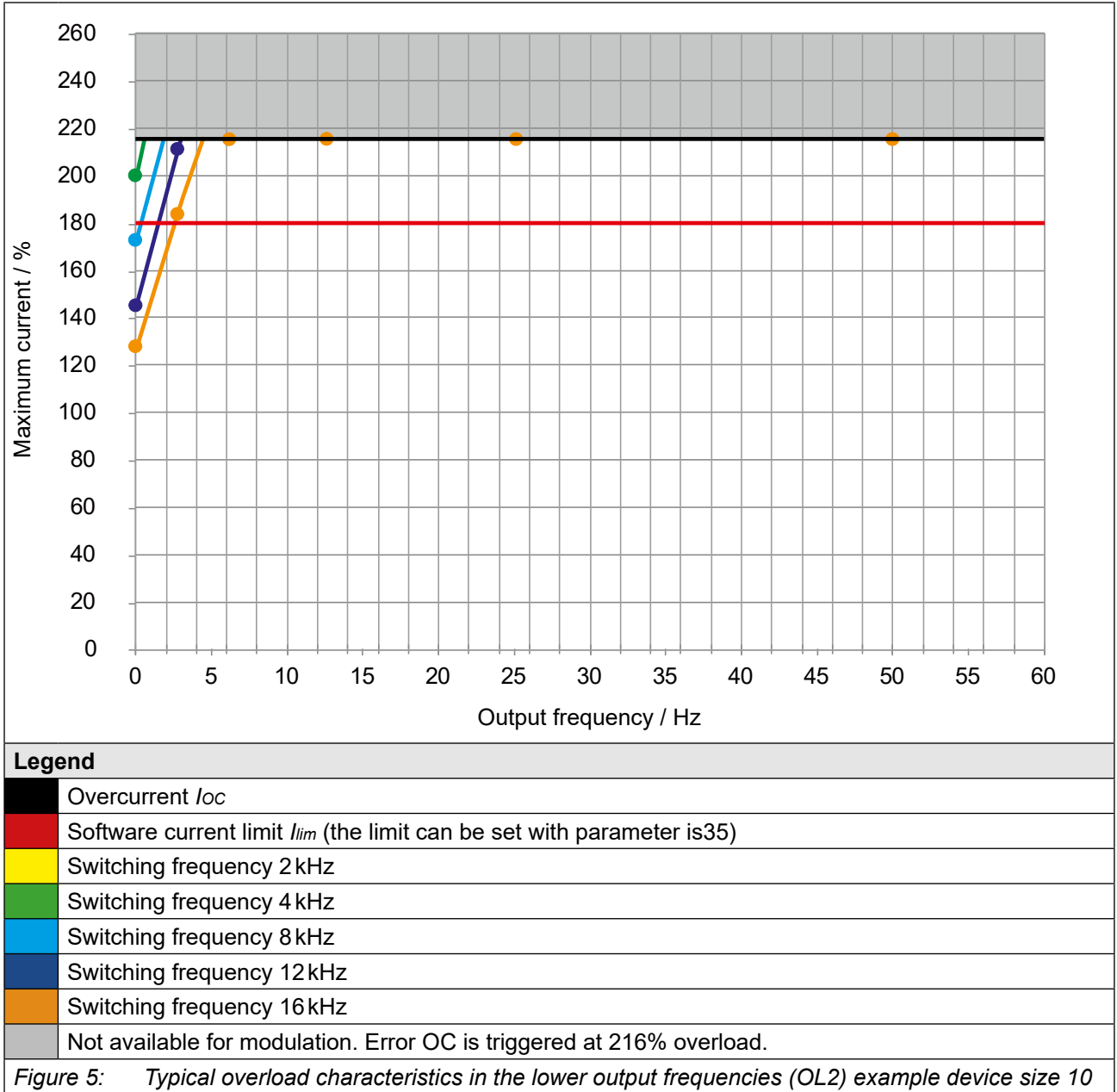
### 3.2.3.2 Frequency-dependent maximum current (OL2) for 230V devices

The characteristics of the maximum currents for a switching frequency which are depending on the output frequency are different for each drive controller, but the following rules are generally applicable:

- Applies for the rated switching frequency: at 0 Hz the drive controller can provide at least the rated output current and from 6 Hz the overcurrent  $I_{oc}$ .
- Lower maximum currents apply for switching frequencies  $>$  rated switching frequency.

If error (OL2) shall be triggered on exceeding the maximum currents or if the switching frequency is automatically reduced "derating" can be adjusted in the drive controller parameters.

The following characteristic curve indicates the permissible maximum current for the output frequency values 0 Hz, 3.1 Hz, 6.2 Hz, 12.5 Hz, 25 Hz and 50 Hz. Device size 10 is represented exemplary.



The frequency-dependent maximum current  $I_{out\_max}$  refers in % to the rated output current  $I_N$ .

The current remains constant from the last specified output frequency value.



The values for the respective device size are listed in the following tables.

***Frequency-dependent maximum current***

Device size	10						
Rated switching frequency	8 kHz						
Output frequency	<i>f<sub>out</sub></i> / Hz	0	3.1	6.2	12.5	25	50
<b>Frequency-dependent maximum current @ <i>f<sub>s</sub></i></b> <i>I<sub>out_max</sub></i> / % <i>Basic Time Period = 62.5 μs (Parameter is22=0)</i>	2 kHz	216	216	216	216	216	216
	4 kHz	200	216	216	216	216	216
	8 kHz	173	216	216	216	216	216
	16 kHz	127	191	216	216	216	216
<b>Frequency-dependent maximum current @ <i>f<sub>s</sub></i></b> <i>I<sub>out_max</sub></i> / % <i>Basic Time Period = 71.4 μs (Parameter is22=1)</i>	1.75 kHz	216	216	216	216	216	216
	3.5 kHz	205	216	216	216	216	216
	7 kHz	180	216	216	216	216	216
	14 kHz	136	205	216	216	216	216
<b>Frequency-dependent maximum current @ <i>f<sub>s</sub></i></b> <i>I<sub>out_max</sub></i> / % <i>Basic Time Period = 83.3 μs (Parameter is22=2)</i>	1.5 kHz	216	216	216	216	216	216
	3 kHz	209	216	216	216	216	216
	6 kHz	186	216	216	216	216	216
	12 kHz	146	216	216	216	216	216
<b>Frequency-dependent maximum current @ <i>f<sub>s</sub></i></b> <i>I<sub>out_max</sub></i> / % <i>Basic Time Period = 100 μs (Parameter is22=3)</i>	1.25 kHz	216	216	216	216	216	216
	2.5 kHz	214	216	216	216	216	216
	5 kHz	193	216	216	216	216	216
	10 kHz	159	216	216	216	216	216

Table 14: Frequency-dependent maximum current for device size 10

Device size		12					
Rated switching frequency		4 kHz					
Output frequency	$f_{out}$ / Hz	0	3	6	12.5	25	50
<b>Frequency-dependent maximum current @ <math>f_s</math></b> $i_{out\_max}$ % <i>Basic Time Period = 62.5 <math>\mu</math>s (Parameter is22=0)</i>	2 kHz	216	216	216	216	216	216
	4 kHz	206	216	216	216	216	216
	8 kHz	171	206	216	216	216	216
	16 kHz	126	149	194	216	216	216
<b>Frequency-dependent maximum current @ <math>f_s</math></b> $i_{out\_max}$ % <i>Basic Time Period = 71.4 <math>\mu</math>s (Parameter is22=1)</i>	1.75 kHz	216	216	216	216	216	216
	3.5 kHz	213	216	216	216	216	216
	7 kHz	180	214	216	216	216	216
	14 kHz	134	160	206	216	216	216
<b>Frequency-dependent maximum current @ <math>f_s</math></b> $i_{out\_max}$ % <i>Basic Time Period = 83.3 <math>\mu</math>s (Parameter is22=2)</i>	1.5 kHz	216	216	216	216	216	216
	3 kHz	216	216	216	216	216	216
	6 kHz	189	216	216	216	216	216
	12 kHz	143	171	216	216	216	216
<b>Frequency-dependent maximum current @ <math>f_s</math></b> $i_{out\_max}$ % <i>Basic Time Period = 100 <math>\mu</math>s (Parameter is22=3)</i>	1.25 kHz	216	216	216	216	216	216
	2.5 kHz	216	216	216	216	216	216
	5 kHz	197	216	216	216	216	216
	10 kHz	157	189	216	216	216	216

Table 15: Frequency-dependent maximum current for device size 12

Device size		13					
Rated switching frequency		4 kHz					
Output frequency	$f_{out}$ / Hz	0	3.1	6.2	12.5	25	50
<b>Frequency-dependent maximum current @ <math>f_s</math></b> $i_{out\_max}$ % <i>Basic Time Period = 62.5 <math>\mu</math>s (Parameter is22=0)</i>	2 kHz	171	180	180	180	180	180
	4 kHz	150	175	180	180	180	180
	8 kHz	125	150	180	180	180	180
	16 kHz	92	108	142	180	180	180
<b>Frequency-dependent maximum current @ <math>f_s</math></b> $i_{out\_max}$ % <i>Basic Time Period = 71.4 <math>\mu</math>s (Parameter is22=1)</i>	1.75 kHz	171	180	180	180	180	180
	3.5 kHz	155	180	180	180	180	180
	7 kHz	131	156	180	180	180	180
	14 kHz	98	117	150	180	180	180
<b>Frequency-dependent maximum current @ <math>f_s</math></b> $i_{out\_max}$ % <i>Basic Time Period = 83.3 <math>\mu</math>s (Parameter is22=2)</i>	1.5 kHz	171	180	180	180	180	180
	3 kHz	160	180	180	180	180	180
	6 kHz	138	163	180	180	180	180
	12 kHz	104	125	158	180	180	180
<b>Frequency-dependent maximum current @ <math>f_s</math></b> $i_{out\_max}$ % <i>Basic Time Period = 100 <math>\mu</math>s (Parameter is22=3)</i>	1.25 kHz	171	180	180	180	180	180
	2.5 kHz	166	180	180	180	180	180
	5 kHz	144	169	180	180	180	180
	10 kHz	115	138	171	180	180	180

Table 16: Frequency-dependent maximum current for device size 13

Device size		14					
Rated switching frequency		4 kHz					
Output frequency	$f_{out}$ / Hz	0	3.1	6.2	12.5	25	50
<b>Frequency-dependent maximum current @ <math>f_s</math></b> <i>Basic Time Period = 62.5 <math>\mu</math>s (Parameter is22=0)</i>	2 kHz	170	180	180	180	180	180
	4 kHz	155	179	180	180	180	180
	8 kHz	130	155	180	180	180	180
	16 kHz	94	115	148	180	180	180
<b>Frequency-dependent maximum current @ <math>f_s</math></b> <i>Basic Time Period = 71.4 <math>\mu</math>s (Parameter is22=1)</i>	1.75 kHz	170	180	180	180	180	180
	3.5 kHz	158	180	180	180	180	180
	7 kHz	136	161	180	180	180	180
	14 kHz	103	124	158	180	180	180
<b>Frequency-dependent maximum current @ <math>f_s</math></b> <i>Basic Time Period = 83.3 <math>\mu</math>s (Parameter is22=2)</i>	1.5 kHz	170	180	180	180	180	180
	3 kHz	162	180	180	180	180	180
	6 kHz	142	167	180	180	180	180
	12 kHz	112	133	167	180	180	180
<b>Frequency-dependent maximum current @ <math>f_s</math></b> <i>Basic Time Period = 100 <math>\mu</math>s (Parameter is22=3)</i>	1.25 kHz	170	180	180	180	180	180
	2.5 kHz	166	180	180	180	180	180
	5 kHz	149	173	180	180	180	180
	10 kHz	121	144	179	180	180	180

Table 17: Frequency-dependent maximum current for device size 14

3.2.4 Power dissipation at rated operation of the 230V devices

Device size		10	12	13	14
Rated switching frequency	$f_{SN}$ / kHz	8	8	4	4
Power dissipation at rated operation	<sup>1)</sup> $P_D$ / W	123	168	186	267

Table 18: Power dissipation of the 230 V devices

<sup>1)</sup> Rated operation corresponds to  $U_N = 230$  V;  $f_{SN}$ ;  $I_N$ ;  $f_N = 50$  Hz (typically value)



3.2.5 Fusing of the 230V devices

Device size	Max. size of the fuse / A			
	$U_N = 230\text{ V}$ gG (IEC)	$U_N = 240\text{ V}$ class "J"	$U_N = 240\text{ V}$ gR	
	SCCR 30 kA	SCCR 5 kA	SCCR 30 kA	Type
10	20	25	25	SIBA 501xy06.25 COOPER BUSSMANN 170M1xy1 LITTELFUSE L25S025
12	32	40	40	SIBA 501xy06.40 COOPER BUSSMANN 170M1xy3 LITTELFUSE L25S040
13	35	50	50	SIBA 501xy06.50 COOPER BUSSMANN 170M1xy4 LITTELFUSE L25S050
14	50	70	63	SIBA 501xy06.63 COOPER BUSSMANN 170M1xy5
			70	LITTELFUSE L25S070

Table 19: Fusing of the 230 V / 240 V devices

1) "x" stands for various indicators. "y" stands for different connection variants.



**Short-circuit capacity**

After requests from [EN 60439-1](#) and [EN 61800-5-1](#) the following is valid for the connection to a network: The devices are suitable for use in a circuit capable of delivering not more than 30 kA eff. unaffected symmetrical short-circuit current.

### 3.3 Device data of the 400 V devices

#### 3.3.1 Overview of the 400 V devices

The technical data are for 2/4-pole standard motors. With other pole numbers the drive controller must be dimensioned onto the rated motor current. Contact KEB for special or medium frequency motors.

Device size		12	13	14	15	16	
<b>Housing</b>		<b>2</b>					
Rated apparent output power	$S_{out}$ / kVA	6.6	8.3	11.4	16.6	22.9	
Max. rated motor power	<sup>1)</sup> $P_{mot}$ / kW	4	5.5	7.5	11	15	
Rated input voltage	$U_N$ / V	400 (UL: 480)					
Input voltage range	$U_{in}$ / V	280...550					
Mains phases		3					
Mains frequency	$f_N$ / Hz	50 / 60 ±2					
Rated input current @ $U_N = 400V$	$I_{in}$ / A	13	17	21	31	43	
Rated input current @ $U_N = 480V$	$I_{in\_UL}$ / A	11	15	18	27	35	
Insulation resistance @ $U_{dc} = 500V$	$R_{iso}$ / MΩ	> 20					
Output voltage	$U_{out}$ / V	0... $U_{in}$					
Output frequency	<sup>2)</sup> $f_{out}$ / Hz	0...599					
Output phases		3					
Rated output current @ $U_N = 400V$	$I_N$ / A	9.5	12	16.5	24	33	
Rated output current @ $U_N = 480V$	$I_{N\_UL}$ / A	7.6	11	14	21	27	
Rated output overload (60 s)	<sup>3) 4)</sup> $I_{60s}$ / %	150					
Software current limit	<sup>3)</sup> $I_{lim}$ / %	180			150		
Overcurrent	<sup>3)</sup> $I_{oc}$ / %	216			180		
Rated switching frequency	$f_{SN}$ / kHz	8	8	4	4	2	4
Max. switching frequency	<sup>4)</sup> $f_{S\_max}$ / kHz	16					
Power dissipation at rated operation	<sup>3)</sup> $P_D$ / W	155	180	175	250	275	330
Overload current over time	<sup>3)</sup> $I_{OL}$ / %	=> „3.3.3.1 Overload characteristic (OL) for 400 V devices“					
Maximum current 0Hz/50Hz at $f_S = 2$ kHz	$I_{out\_max}$ / %	211/216	216/216	157/216	108/180	100/180	127/180
Maximum current 0Hz/50Hz at $f_S = 4$ kHz	$I_{out\_max}$ / %	168/216	200/216	145/216	100/180	75/166	100/180
Maximum current 0Hz/50Hz at $f_S = 8$ kHz	$I_{out\_max}$ / %	116/216	100/216	72/187	50/129	48/118	91/180
Maximum current 0Hz/50Hz at $f_S = 16$ kHz	$I_{out\_max}$ / %	63/168	58/150	42/109	29/75	24/69	58/124
<i>continued on the next page</i>							

Device size		12	13	14	15	16
<b>Housing</b>		<b>2</b>				
Max. braking current	$I_{B\_max} / A$	21.5				33.6
Min. braking resistor value	$R_{B\_min} / \Omega$	39				25
Braking transistor	<sup>6)</sup>	Max. cycle time: 120s; Max c.d.f.: 50 %				
Protective function for braking transistor		No protection function available				
Max. motor cable length shielded	<sup>7)</sup> // m	100				

*Table 20: Overview of the 400 V device data*

- <sup>1)</sup> Rated operation corresponds to  $U_N = 400V$ , rated switching frequency, output frequency = 50Hz (4-pole standard asynchronous motor).
- <sup>2)</sup> The output frequency is to be limited in such a way that it does not exceed 1/10 of the switching frequency. Notice! Devices with a maximum output frequency higher than 599Hz are subject to export restrictions
- <sup>3)</sup> The values refer in % to the rated output current  $I_N$ .
- <sup>4)</sup> Observe limitations => „3.3.3.1 Overload characteristic (OL) for 400 V devices“.
- <sup>5)</sup> A detailed description of the Derating => „3.4.3 Switching frequency and temperature of the 400 V devices“.
- <sup>6)</sup> The cyclic duration factor is additionally limited by the used braking resistor.
- <sup>7)</sup> The maximum cable length depends on various factors. Further information can be found in the corresponding filter instructions.

### 3.3.2 Voltage and frequencies for 400V devices

Input voltages and frequencies		
Rated input voltage	$U_N / V$	400
Rated mains voltage (USA)	$U_{N\_UL} / V$	480
Input voltage range	$U_{IN} / V$	280...550
Input phases		3
Mains frequency	$f_N / Hz$	50/60
Mains frequency tolerance	$\pm f_N / Hz$	2

*Table 21: Input voltages and frequencies of the 400V devices*

DC link voltage		
DC link rated voltage @ $U_N = 400V$	$U_{N\_dc} / V$	565
DC link rated voltage @ $U_{N\_UL} = 480V$	$U_{N\_UL\_dc} / V$	680
DC link voltage working voltage range	$U_{IN\_dc} / V$	390...780

*Table 22: DC link voltage for 400V devices*

Output voltages and frequencies		
Output voltage at AC supply	<sup>1)</sup> $U_{out}$ / V	0... $U_{N\_ac}$
Output frequency	<sup>2)</sup> $f_{out}$ / Hz	0...599
Output phase		3

Table 23: Output voltages and frequencies of the 400V devices

- <sup>1)</sup> The voltage to the motor is dependent on the actual input voltage and the control method („3.3.2.1 Example of the calculation of the possible motor voltage:“).
- <sup>2)</sup> The output frequency is to be limited in such a way that it does not exceed 1/10 of the switching frequency. Devices with a maximum output frequency higher than 599Hz are restricted for export.

3.3.2.1 Example of the calculation of the possible motor voltage:

The motor voltage for dimensioning of the drive is depending on the used components. The motor voltage reduces according to the following table:

Component	Reduction / %	Example
Mains choke $U_k$	4	Open-loop drive converter with mains- and motor choke at non-rigid supply system: 400 V mains voltage (100%) - 36 V reduced voltage (11%) = 356 V motor voltage
Drive converter open-loop	4	
Drive converter closed-loop	8	
Motor choke $U_k$	1	
Non-rigid supply system	2	

Table 24: Example of the calculation of the possible motor voltage:

3.3.3 Input and output currents / overload for 400 V devices

Device size		12	13	14	15	16
Rated input current @ $U_N = 400V$	<sup>1)</sup> $I_{in}$ / A	13	17	21	31	43
Rated input current @ $U_{N\_UL} = 480V$	<sup>1)</sup> $I_{in\_UL}$ / A	11	15	18	27	35

Table 25: Input currents of the 400 V devices

- <sup>1)</sup> The values resulting from rated operation with B6 rectifier circuit and mains choke 4%  $U_k$ .

Device size		12	13	14	15	16 (2kHz)	16 (4kHz)
Rated output current @ $U_N = 400V$	$I_N$ / A	9.5	12	16.5	24	33	
Rated output current @ $U_{N\_UL} = 480V$	$I_{N\_UL}$ / A	7.6	11	14	21	27	
Rated output overload (60 s)	<sup>1)</sup> $I_{60s}$ / %	150					
Overload current	<sup>1)</sup> $I_{OL}$ / %	=> „3.3.3.1 Overload characteristic (OL) for 400 V devices“					
Software current limit	<sup>1) 2)</sup> $I_{lim}$ / %	180				150	
Overcurrent	<sup>1)</sup> $I_{oc}$ / %	216				180	

Table 26: Output currents and overload of the 400 V devices

- <sup>1)</sup> The values refer in % to the rated output current  $I_N$ .
- <sup>2)</sup> Limitation of the current setpoint in closed-loop operation. This setpoint limit is not active in v/f operation.

3.3.3.1 Overload characteristic (OL) for 400 V devices

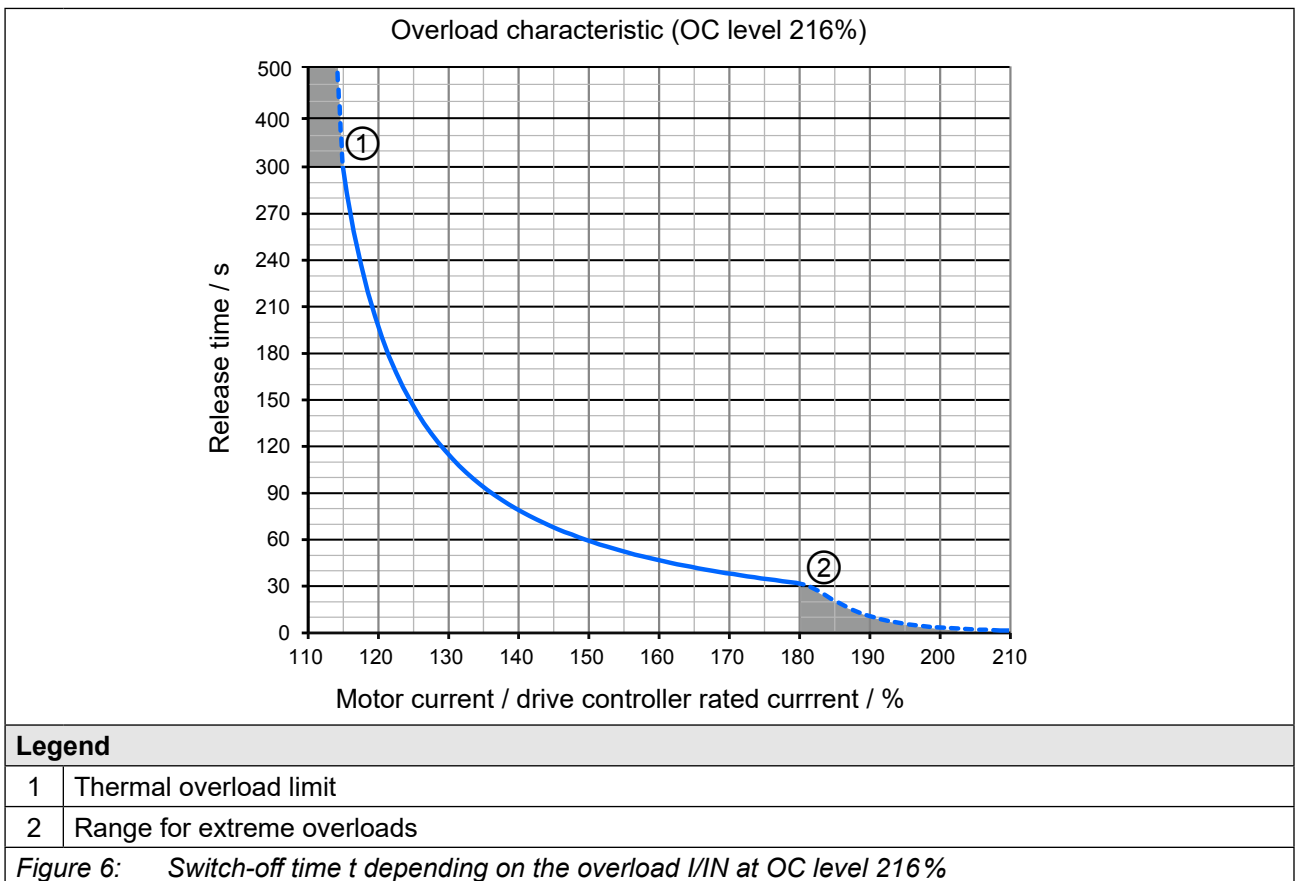
All drive controllers can be operated at rated switching frequency with an utilization of 150 % for 60 s.

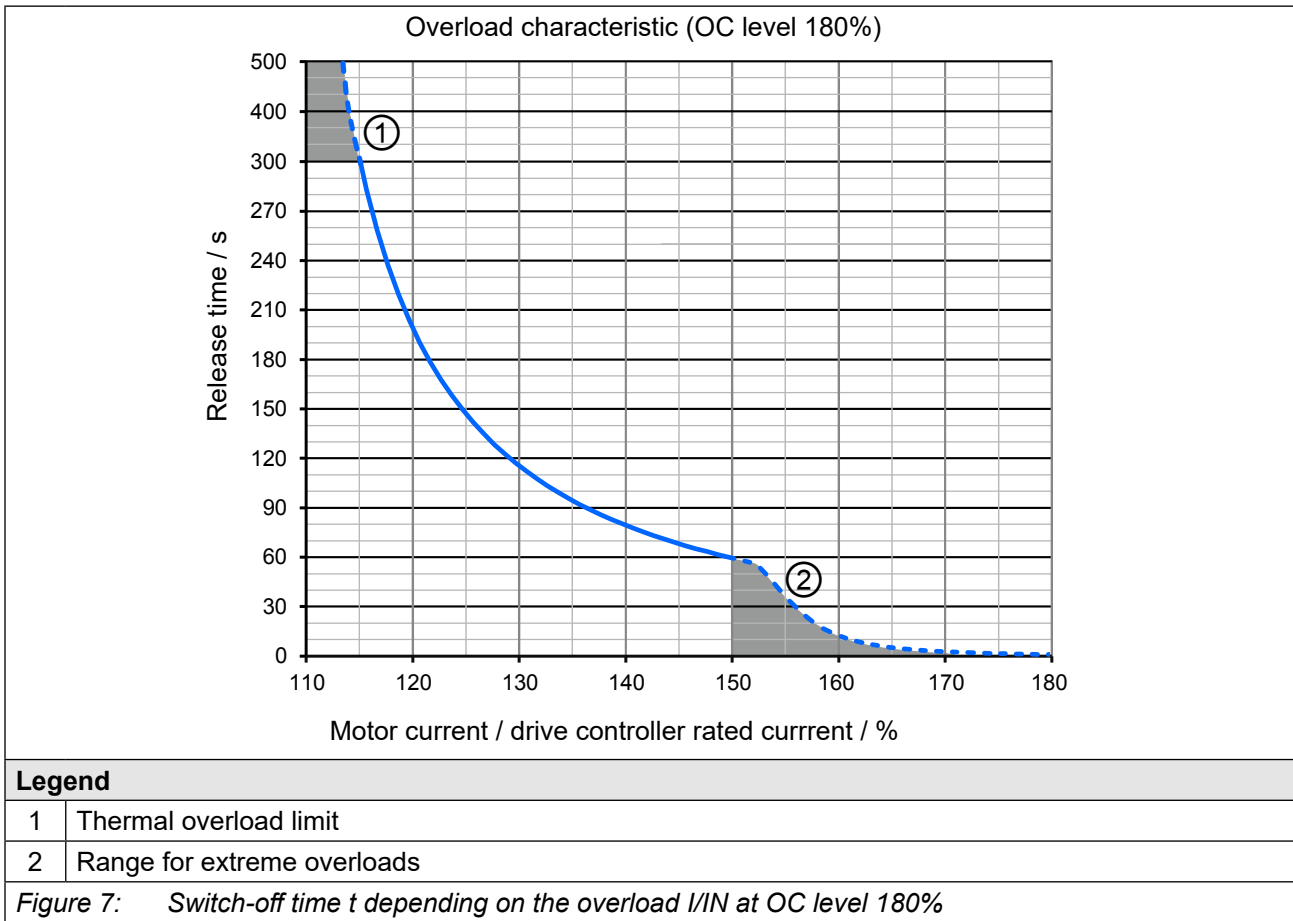
The OL overload function is a root mean square (RMS) function. The greater the difference between the overload and underload phases, the greater the deviation of the RMS from the arithmetic mean value.

For extreme overloads (=> „Figure 6: Switch-off time *t* depending on the overload *I*/IN at OC level 216%“ or „Figure 7: Switch-off time *t* depending on the overload *I*/IN at OC level 180%“) the load is weighted more heavily. This means the load is provided with a factor for the calculation of the RMS value, by way that the overload protection function triggers, even if the RMS value does not reach 100%.

**Restrictions:**

- The thermal design of the heat sink is based on the rated operation. The following values are taken into account: Rated output current, ambient temperature, rated switching frequency, rated voltage.
- At high ambient temperatures and/or high heat sink temperatures (for example, by preceding utilisation nearby 100%) the drive controller can change to overtemperature error before triggering the protective function OL.
- At low output frequencies or switching frequencies higher than the rated switching frequency, the frequency-dependent maximum current can be exceeded before triggering the overload error OL and error OL2 can be triggered (=> „3.3.3.2 Frequency-dependent maximum current (OL2) for 400V devices“).





- On exceeding a load of 105 % the overload integrator starts.
- When falling below the integrator counts backwards.
- If the integrator reaches the overload characteristic "Error overload (OL)" is triggered.

After a cooling down period, the integrator can be reset now. The drive controller must remain switched on during the cooling down phase.

**Operation in the range of the thermal overload limit**

Due to the high steepness of the overload characteristic, the duration of a permissible overload in this range ① cannot be determined exactly. Therefore, the design of the drive controller should be assumed to have a maximum overload time of 300s.

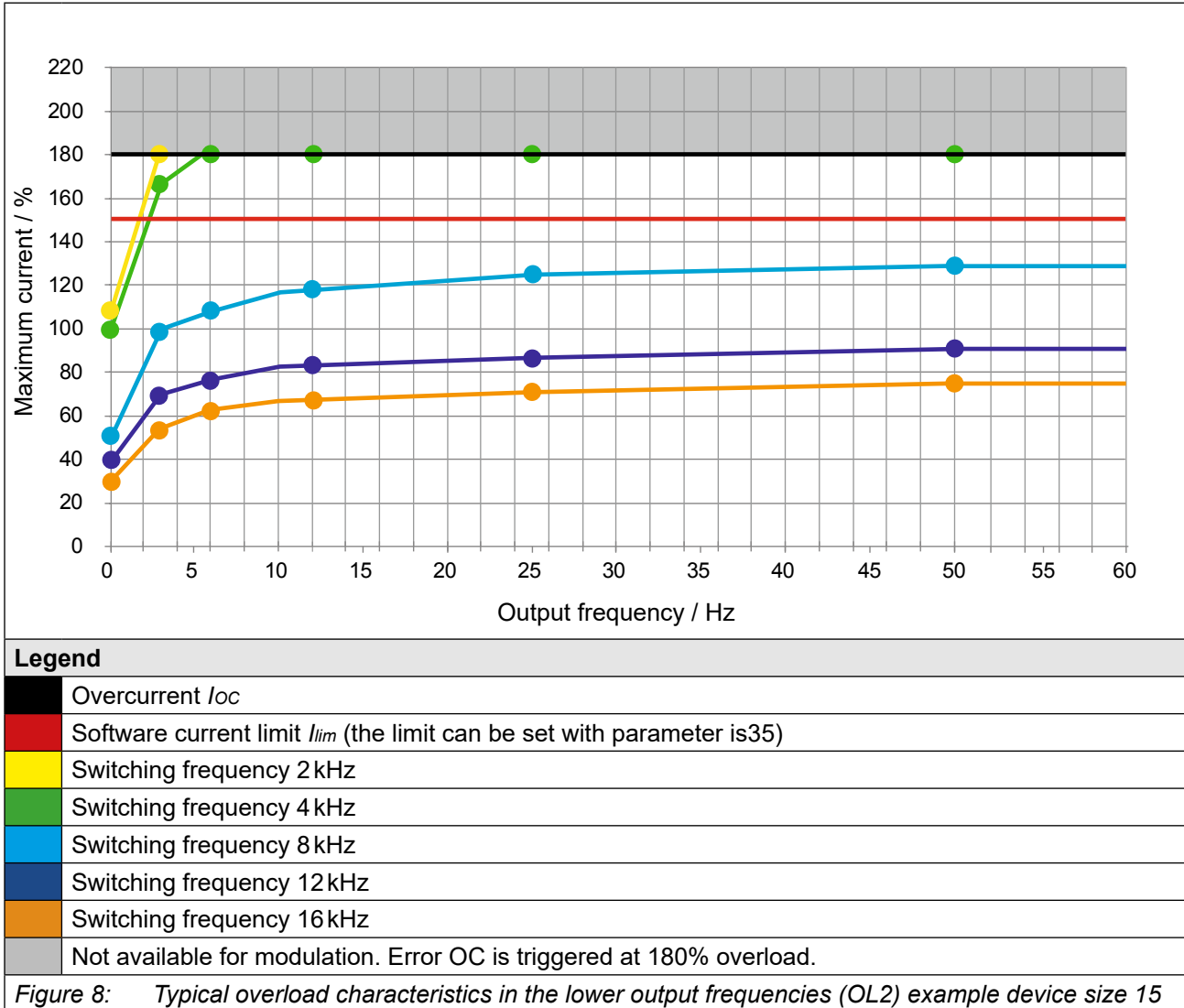
### 3.3.3.2 Frequency-dependent maximum current (OL2) for 400V devices

The characteristics of the maximum currents for a switching frequency which are depending on the output frequency are different for each drive controller, but the following rules are generally applicable:

- Applies for the rated switching frequency: at 0 Hz the drive controller can provide at least the rated output current and from 6 Hz the overcurrent  $I_{oc}$ .
- Lower maximum currents apply for switching frequencies  $>$  rated switching frequency.

If error (OL2) shall be triggered on exceeding the maximum currents or if the switching frequency is automatically reduced "derating" can be adjusted in the drive controller parameters.

The following characteristic curve indicates the permissible maximum current for the output frequency values 0 Hz, 3.1 Hz, 6.2 Hz, 12.5 Hz, 25 Hz and 50 Hz. Device size 15 is represented exemplary.



The frequency-dependent maximum current  $I_{lim}$  refers in % to the rated output current  $I_N$ .

The current remains constant from the last specified output frequency value.





The values for the respective device size are listed in the following tables.

**Frequency-dependent maximum current**

Device size		12					
Rated switching frequency		8 kHz					
Output frequency	$f_{out}$ / Hz	0	3.1	6.2	12.5	25	50
Frequency-dependent maximum current @ $f_s$ $I_{out\_max}$ % Basic Time Period = 62.5 $\mu$ s (Parameter is22=0)	2 kHz	211	216	216	216	216	216
	4 kHz	168	216	216	216	216	216
	8 kHz	116	211	216	216	216	216
	16 kHz	63	116	137	147	158	168
Frequency-dependent maximum current @ $f_s$ $I_{out\_max}$ % Basic Time Period = 71.4 $\mu$ s (Parameter is22=1)	1.75 kHz	210	216	216	216	216	216
	3.5 kHz	179	216	216	216	216	216
	7 kHz	129	216	216	216	216	216
	14 kHz	74	137	158	168	179	190
Frequency-dependent maximum current @ $f_s$ $I_{out\_max}$ % Basic Time Period = 83.3 $\mu$ s (Parameter is22=2)	1.5 kHz	210	216	216	216	216	216
	3 kHz	190	216	216	216	216	216
	6 kHz	142	216	216	216	216	216
	12 kHz	84	158	179	190	200	211
Frequency-dependent maximum current @ $f_s$ $I_{out\_max}$ % Basic Time Period = 100 $\mu$ s (Parameter is22=3)	1.25 kHz	211	216	216	216	216	216
	2.5 kHz	200	216	216	216	216	216
	5 kHz	155	216	216	216	216	216
	10 kHz	100	184	205	216	216	216

Table 27: Frequency-dependent maximum current for device size 12

Device size		13					
Rated switching frequency		8 kHz					
Output frequency	$f_{out}$ / Hz	0	3	6	12.5	25	50
Frequency-dependent maximum current @ $f_s$ $I_{out\_max}$ % Basic Time Period = 62.5 $\mu$ s (Parameter is22=0)	2 kHz	216	216	216	216	216	216
	4 kHz	200	216	216	216	216	216
	8 kHz	100	200	216	216	216	216
	16 kHz	58	108	125	133	142	150
Frequency-dependent maximum current @ $f_s$ $I_{out\_max}$ % Basic Time Period = 71.4 $\mu$ s (Parameter is22=1)	1.75 kHz	216	216	216	216	216	216
	3.5 kHz	204	216	216	216	216	216
	7 kHz	125	216	216	216	216	216
	14 kHz	67	130	142	154	163	171
Frequency-dependent maximum current @ $f_s$ $I_{out\_max}$ % Basic Time Period = 83.3 $\mu$ s (Parameter is22=2)	1.5 kHz	216	216	216	216	216	216
	3 kHz	208	216	216	216	216	216
	6 kHz	150	216	216	216	216	216
	12 kHz	75	150	158	175	183	192
Frequency-dependent maximum current @ $f_s$ $I_{out\_max}$ % Basic Time Period = 100 $\mu$ s (Parameter is22=3)	1.25 kHz	216	216	216	216	216	216
	2.5 kHz	212	216	216	216	216	216
	5 kHz	175	216	216	216	216	216
	10 kHz	88	175	188	204	216	216

Table 28: Frequency-dependent maximum current for device size 13

Device size		14					
Rated switching frequency		4 kHz					
Output frequency	$f_{out}$ / Hz	0	3.1	6.2	12.5	25	50
<b>Frequency-dependent maximum current @ <math>f_s</math></b> <i>Basic Time Period = 62.5 <math>\mu</math>s (Parameter is22=0)</i>	2 kHz	157	216	216	216	216	216
	4 kHz	145	216	216	216	216	216
	8 kHz	73	146	158	170	182	188
	16 kHz	42	79	91	97	103	110
<b>Frequency-dependent maximum current @ <math>f_s</math></b> <i>Basic Time Period = 71.4 <math>\mu</math>s (Parameter is22=1)</i>	1.75 kHz	158	216	216	216	216	216
	3.5 kHz	149	216	216	216	216	216
	7 kHz	91	170	185	197	209	215
	14 kHz	49	94	103	112	118	124
<b>Frequency-dependent maximum current @ <math>f_s</math></b> <i>Basic Time Period = 83.3 <math>\mu</math>s (Parameter is22=2)</i>	1.5 kHz	158	216	216	216	216	216
	3 kHz	152	216	216	216	216	216
	6 kHz	109	194	212	216	216	216
	12 kHz	55	109	115	127	133	139
<b>Frequency-dependent maximum current @ <math>f_s</math></b> <i>Basic Time Period = 100 <math>\mu</math>s (Parameter is22=3)</i>	1.25 kHz	158	216	216	216	216	216
	2.5 kHz	155	216	216	216	216	216
	5 kHz	127	216	216	216	216	216
	10 kHz	64	127	136	149	158	164

Table 29: Frequency-dependent maximum current for device size 14

Device size		15					
Rated switching frequency		4 kHz					
Output frequency	$f_{out}$ / Hz	0	3.1	6.2	12.5	25	50
<b>Frequency-dependent maximum current @ <math>f_s</math></b> <i>Basic Time Period = 62.5 <math>\mu</math>s (Parameter is22=0)</i>	2 kHz	108	180	180	180	180	180
	4 kHz	100	167	180	180	180	180
	8 kHz	50	100	108	117	125	129
	16 kHz	29	54	63	67	71	75
<b>Frequency-dependent maximum current @ <math>f_s</math></b> <i>Basic Time Period = 71.4 <math>\mu</math>s (Parameter is22=1)</i>	1.75 kHz	108	180	180	180	180	180
	3.5 kHz	102	171	180	180	180	180
	7 kHz	63	117	127	135	144	148
	14 kHz	33	65	71	77	81	85
<b>Frequency-dependent maximum current @ <math>f_s</math></b> <i>Basic Time Period = 83.3 <math>\mu</math>s (Parameter is22=2)</i>	1.5 kHz	108	180	180	180	180	180
	3 kHz	104	175	180	180	180	180
	6 kHz	75	133	146	154	163	167
	12 kHz	38	75	79	88	92	96
<b>Frequency-dependent maximum current @ <math>f_s</math></b> <i>Basic Time Period = 100 <math>\mu</math>s (Parameter is22=3)</i>	1.25 kHz	108	180	180	180	180	180
	2.5 kHz	106	179	180	180	180	180
	5 kHz	88	150	165	173	180	180
	10 kHz	44	88	94	102	108	113

Table 30: Frequency-dependent maximum current for device size 15

Device size		16					
Rated switching frequency		2 kHz					
Output frequency	$f_{out}$ / Hz	0	3.1	6.2	12.5	25	50
<b>Frequency-dependent maximum current @ <math>f_s</math></b> <i>Basic Time Period = 62.5 <math>\mu</math>s (Parameter is22=0)</i>	2 kHz	100	166	180	180	180	180
	4 kHz	75	136	149	158	164	167
	8 kHz	49	94	103	109	115	118
	16 kHz	24	52	58	64	67	70
<b>Frequency-dependent maximum current @ <math>f_s</math></b> <i>Basic Time Period = 71.4 <math>\mu</math>s (Parameter is22=1)</i>	1.75 kHz	100	167	180	180	180	180
	3.5 kHz	82	144	157	165	172	176
	7 kHz	55	105	114	121	127	130
	14 kHz	30	59	67	73	76	79
<b>Frequency-dependent maximum current @ <math>f_s</math></b> <i>Basic Time Period = 83.3 <math>\mu</math>s (Parameter is22=2)</i>	1.5 kHz	100	167	180	180	180	180
	3 kHz	88	152	165	173	180	180
	6 kHz	62	115	126	133	139	142
	12 kHz	36	67	76	82	85	88
<b>Frequency-dependent maximum current @ <math>f_s</math></b> <i>Basic Time Period = 100 <math>\mu</math>s (Parameter is22=3)</i>	1.25 kHz	100	167	180	180	180	180
	2.5 kHz	94	159	174	180	180	180
	5 kHz	69	126	137	146	152	155
	10 kHz	42	80	89	96	100	103

Table 31: Frequency-dependent maximum current for device size 16 (2 kHz)

Device size		16					
Rated switching frequency		4 kHz					
Output frequency	$f_{out}$ / Hz	0	3.1	6.2	12.5	25	50
<b>Frequency-dependent maximum current @ <math>f_s</math></b> <i>Basic Time Period = 62.5 <math>\mu</math>s (Parameter is22=0)</i>	2 kHz	127	179	180	180	180	180
	4 kHz	100	164	180	180	180	180
	8 kHz	91	136	167	180	180	180
	16 kHz	58	88	109	118	121	124
<b>Frequency-dependent maximum current @ <math>f_s</math></b> <i>Basic Time Period = 71.4 <math>\mu</math>s (Parameter is22=1)</i>	1.75 kHz	127	179	180	180	180	180
	3.5 kHz	107	167	180	180	180	180
	7 kHz	93	143	174	180	180	180
	14 kHz	65	99	121	129	133	138
<b>Frequency-dependent maximum current @ <math>f_s</math></b> <i>Basic Time Period = 83.3 <math>\mu</math>s (Parameter is22=2)</i>	1.5 kHz	127	179	180	180	180	180
	3 kHz	114	171	180	180	180	180
	6 kHz	96	150	180	180	180	180
	12 kHz	73	109	133	139	146	152
<b>Frequency-dependent maximum current @ <math>f_s</math></b> <i>Basic Time Period = 100 <math>\mu</math>s (Parameter is22=3)</i>	1.25 kHz	127	179	180	180	180	180
	2.5 kHz	121	175	180	180	180	180
	5 kHz	98	157	180	180	180	180
	10 kHz	82	123	150	161	167	173

Table 32: Frequency-dependent maximum current for device size 16 (4 kHz)

3.3.4 Power dissipation at rated operation of the 400 V devices

Device size	12	13	14	15	16	16
Rated switching frequency	8	8	4	4	2	4
Power dissipation at rated operation <sup>1)</sup> $P_D / W$	155	180	175	250	275	330

Table 33: Power dissipation of the 400 V devices

<sup>1)</sup> Rated operation corresponds to  $U_N = 400 V$ ;  $f_{SN}$ ;  $I_N$ ;  $f_N = 50 Hz$  (typically value)

3.3.5 Fusing of the 400V devices

Device size	Max. size of the fuse / A			
	$U_N = 400 V$ gG (IEC)	$U_N = 480 V$ class "J"	$U_N = 480 V$ gR	
	SCCR 30 kA	SCCR 5 kA	SCCR 30 kA	Type
12	20	15	16	SIBA 50 1xy 06.16
			15	COOPER BUSSMANN 170M1xy9 LITTELFUSE L50S015
13	25	20	20	SIBA 50 1xy 06.20 COOPER BUSSMANN 170M1xy0 LITTELFUSE L50S020
14	25	25	25	SIBA 50 1xy 06.25 COOPER BUSSMANN 170M1xy1 LITTELFUSE L50S025
15	35	35	40	SIBA 50 1xy 06.40 COOPER BUSSMANN 170M1xy3 LITTELFUSE L50S040
16	50	50	50	SIBA 50 1xy 06.50 COOPER BUSSMANN 170M1xy4 LITTELFUSE L50S050

Table 34: Fusing of the 400 V / 480 V devices

<sup>1)</sup> "x" stands for various indicators. "y" stands for different connection variants.



**Short-circuit capacity**

After requests from *EN 60439-1* and *EN 61800-5-1* the following is valid for the connection to a network: The devices are suitable for use in a circuit capable of delivering not more than 30 kA eff. unaffected symmetrical short-circuit current.

### 3.4 General electrical data

#### 3.4.1 Switching frequency and temperature

The drive controller cooling is designed by way that the heat sink overtemperature threshold is not exceeded at rated conditions. A switching frequency higher than the rated switching frequency also produces higher losses and thus a higher heat sink heating. If the heat sink temperature reaches a critical threshold ( $T_{DR}$ ), the switching frequency can be reduced automatically step by step. This prevents that the drive controller switches off due to overheating of the heat sink. If the heat sink temperature falls below the threshold  $T_{UR}$ , the switching frequency is increased back to the setpoint. At temperature  $T_{EM}$  the switching frequency is immediately reduced to rated switching frequency. „Derating“ must be activated, for this function to work.

#### 3.4.2 Switching frequency and temperature of the 230 V devices

Device size		10	12	13	14
Rated switching frequency	<sup>1)</sup> $f_{SN}$ / kHz	8	8	4	4
Max. switching frequency	<sup>1)</sup> $f_{S\_max}$ / kHz	16			
Min. switching frequency	<sup>1)</sup> $f_{S\_min}$ / kHz	1.25			
Max. heat sink temperature	$T_{HS}$ / °C	90			
Temperature for derating the switching frequency	$T_{DR}$ / °C	80			
Temperature for uprating the switching frequency	$T_{UR}$ / °C	70			
Temperature for switching to rated switching frequency	$T_{EM}$ / °C	85			

Table 35: Switching frequency and temperature of the 230 V devices

<sup>1)</sup> The output frequency is to be limited in such a way that it does not exceed 1/10 of the switching frequency.

#### 3.4.3 Switching frequency and temperature of the 400 V devices

Device size		12	13	14	15	16	
Rated switching frequency	<sup>1)</sup> $f_{SN}$ / kHz	8	8	4	4	2	4
Max. switching frequency	<sup>1)</sup> $f_{S\_max}$ / kHz	16					
Min. switching frequency	<sup>1)</sup> $f_{S\_min}$ / kHz	1.25					
Max. heat sink temperature	$T_{HS}$ / °C	90					
Temperature for derating the switching frequency	$T_{DR}$ / °C	80					
Temperature for uprating the switching frequency	$T_{UR}$ / °C	70					
Temperature for switching to rated switching frequency	$T_{EM}$ / °C	85					

Table 36: Switching frequency and temperature of the 400 V devices

<sup>1)</sup> The output frequency is to be limited in such a way that it does not exceed 1/10 of the switching frequency.

3.4.4 DC link / braking transistor function

**NOTICE**

Destruction of the drive controller if the value falls below the minimum braking resistor value.

► The minimum brake resistance value must not fall below!

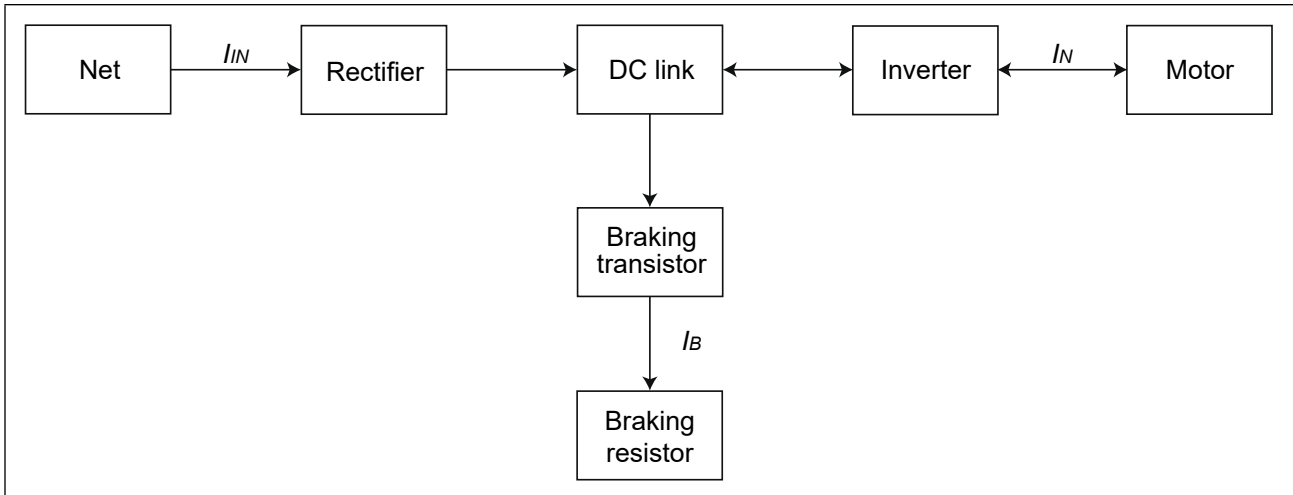


Figure 9: Block diagram of the energy flow

3.4.4.1 DC link / braking transistor function of the 230V devices

Device size		10	12	13	14
Rated DC link voltage @ $U_N = 230\text{V}$	$U_{N\_dc} / \text{V}$	325			
Rated DC link voltage @ $U_{N\_UL} = 240\text{V}$	$U_{N\_dc\_UL} / \text{V}$	339			
DC link voltage working voltage range	$U_{IN\_dc} / \text{V}$	240...373			
DC switch-off level "ERROR underpotential"	$U_{UP} / \text{V}$	216			
DC switch-off level "ERROR overpotential"	$U_{OP} / \text{V}$	400			
DC switch-off level braking resistor	<sup>1)</sup> $U_B / \text{V}$	380			
Max. braking current	$I_{B\_max} / \text{A}$	21.5			33.6
Min. braking resistor value	$R_{B\_min} / \Omega$	19			12
Braking transistor	<sup>2)</sup>	Max. cycle time: 120 s; Max c.d.f.: 50 %			
Protective function for braking transistor		No protection function available			
DC link capacity	$C / \mu\text{F}$	1120	2240	3280	4100

Table 37: DC link / braking transistor function of the 230V devices

<sup>1)</sup> The DC switching level for the braking transistor is adjustable. The default value is the value specified in the table.

<sup>2)</sup> The cyclic duration factor is additionally limited by the used braking resistor.

3.4.4.2 DC link / braking transistor function of the 400 V devices

Device size		12	13	14	15	16
Rated DC link voltage @ $U_N = 400\text{ V}$	$U_{N\_dc} / \text{V}$	565				
Rated DC link voltage @ $U_{N\_UL} = 480\text{ V}$	$U_{N\_dc\_UL} / \text{V}$	680				
DC link voltage working voltage range	$U_{IN\_dc} / \text{V}$	390...780				
DC switch-off level "ERROR underpotential"	$U_{UP} / \text{V}$	240				
DC switch-off level "ERROR overpotential"	$U_{OP} / \text{V}$	840				
DC switch-off level braking resistor	<sup>1)</sup> $U_B / \text{V}$	780				
Max. braking current	$I_{B\_max} / \text{A}$	21.5				33.6
Min. braking resistor value	$R_{B\_min} / \Omega$	39				25
Braking transistor	<sup>2)</sup>	Max. cycle time: 120s; Max c.d.f.: 50 %				
Protective function for braking transistor		No protection function available				
DC link capacity	$C / \mu\text{F}$	470	705	820	1230	1230

Table 38: DC link / braking transistor function of the 400 V devices

- <sup>1)</sup> The DC switching level for the braking transistor is adjustable. The default value is the value specified in the table.
- <sup>2)</sup> The cyclic duration factor is additionally limited by the used braking resistor.

3.4.5 Fan

Device size		10	12	13	14	15	16
Interior fan	Number	1					
	Speed-variable	no					
Heat sink fan	Number	2					
	Speed-variable	no					

Table 39: Fan



The fans are not speed-variable.

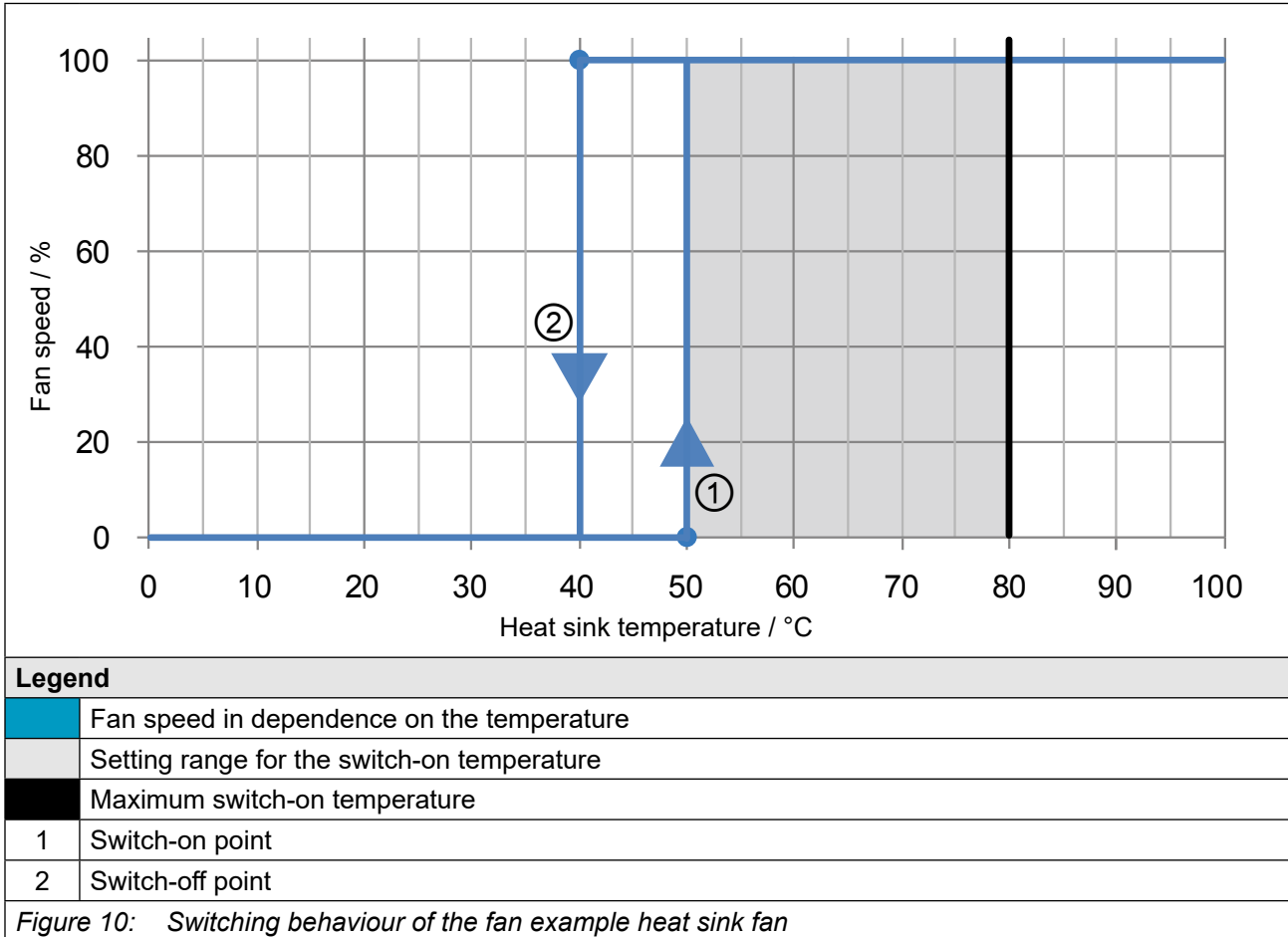
**NOTICE**

**Destruction of the fan!**

- ▶ Take care that no foreign substances drop into the fan!

3.4.5.1 Switching behaviour of the fans

The fans have different switch-on and switch-off points. The switching point for the switch-on temperature ① is adjustable. The hysteresis for the switch-off temperature ② cannot be changed. The switching behaviour of the fans depends on the heat sink and interior temperature.



3.4.5.2 Switching points of the fans

The switching point for the switch-on temperature and the maximum speed level of the fans are adjustable. The following table shows the default values.

Fan		Heat sink	Interior
Switch-on temperature	$T / ^\circ\text{C}$	50	45
Maximum switch-on temperature	$T / ^\circ\text{C}$	80	55

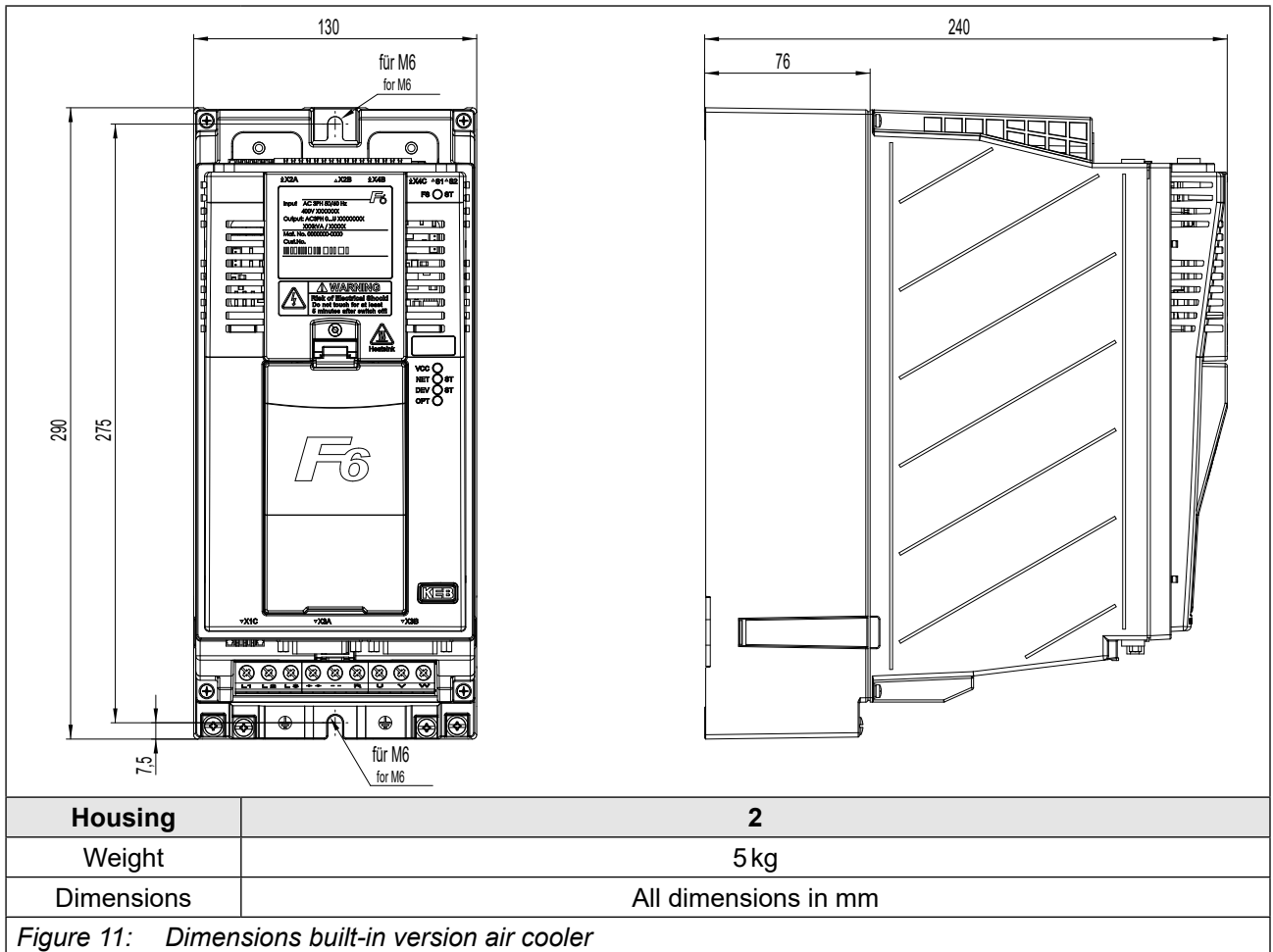
Table 40: Switching points of the fans



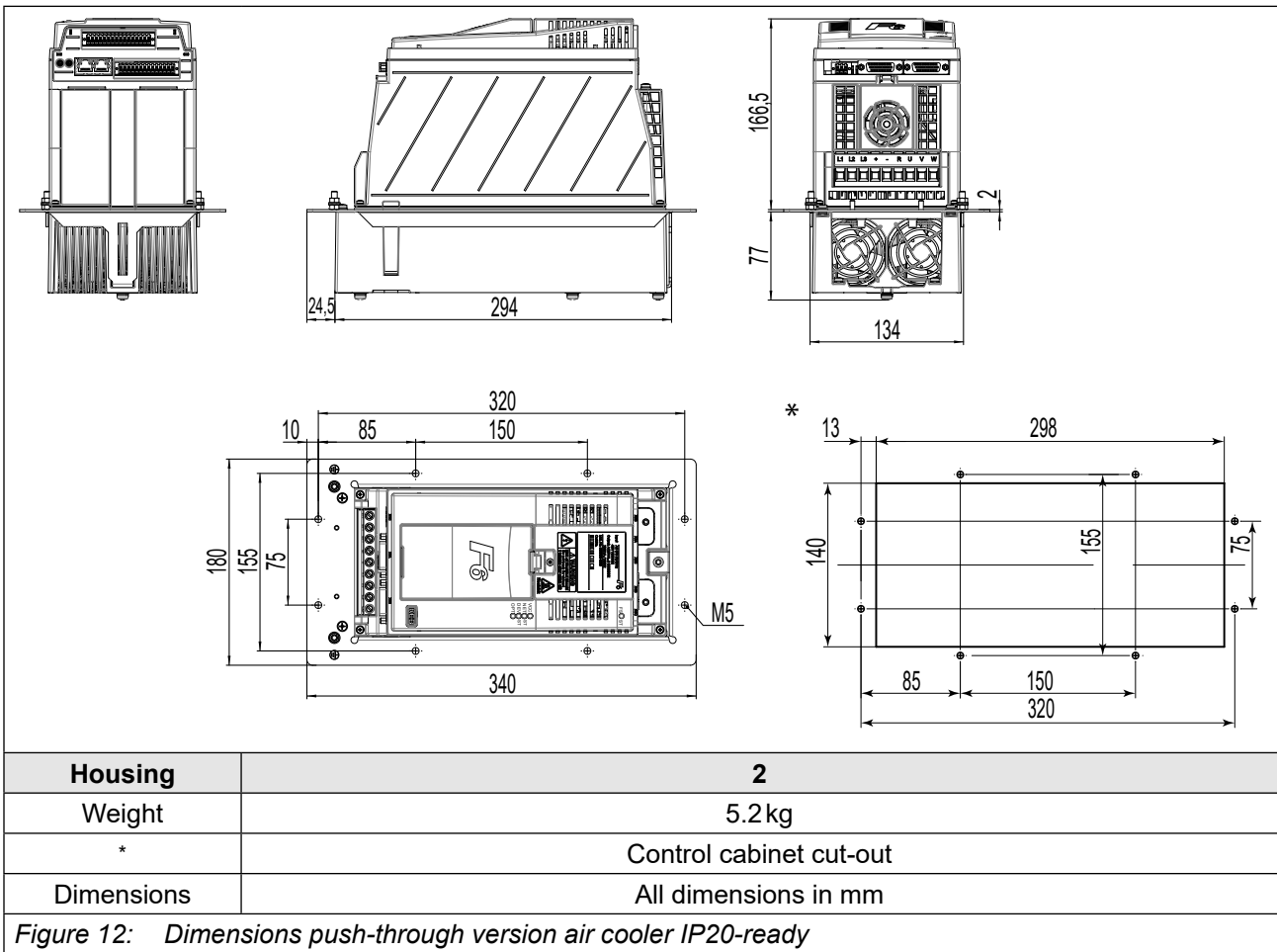
## 4 Installation

### 4.1 Dimensions and weights

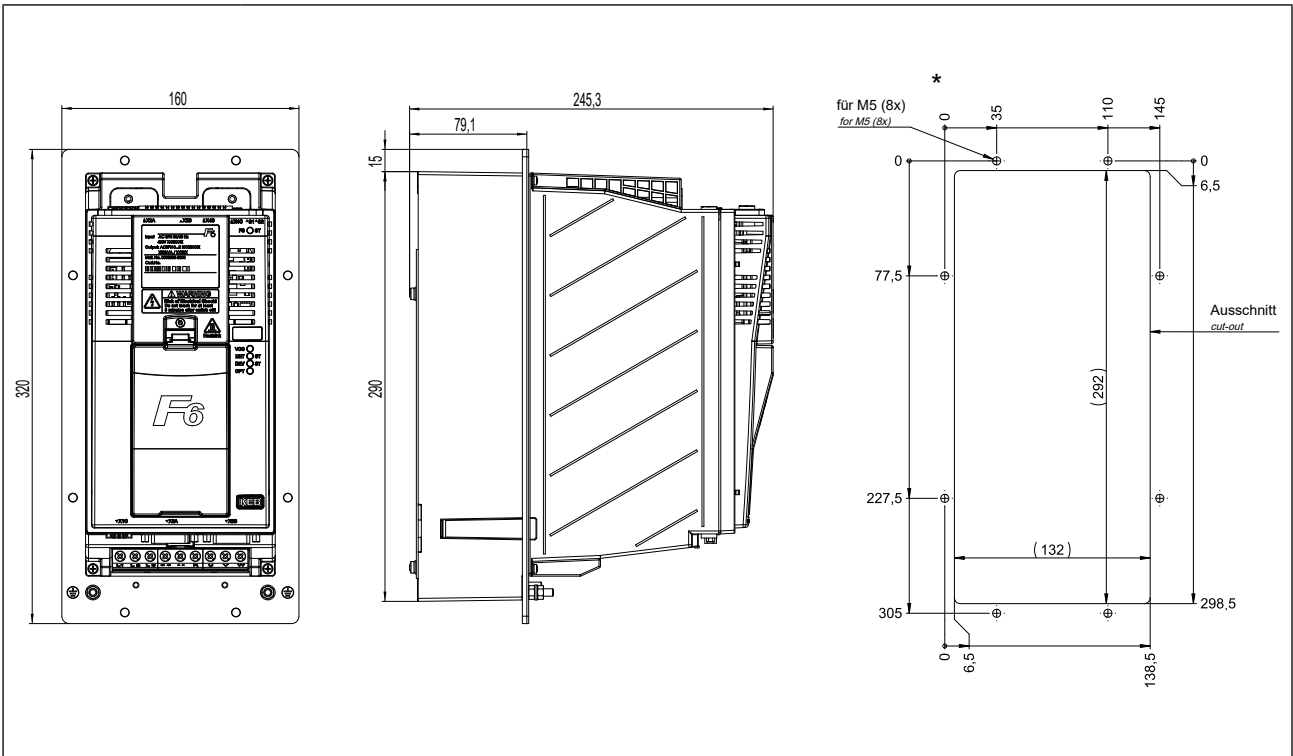
#### 4.1.1 Built-in version air cooler



**4.1.2 Push-through version air cooler IP20-ready**



4.1.3 Push-through version air-cooling IP54-ready

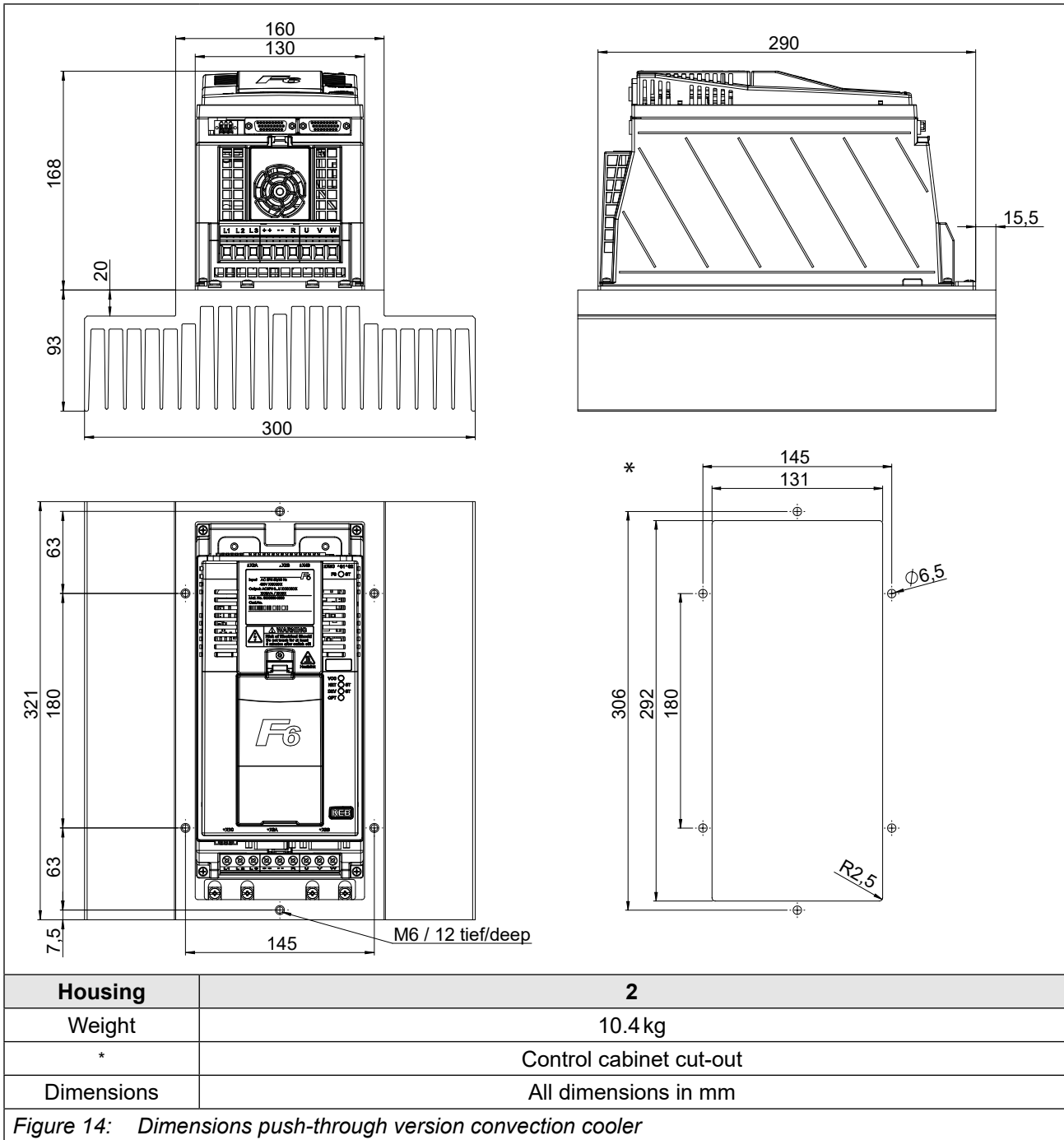


<b>Housing</b>	<b>2</b>
Weight	5.2 kg
*	Control cabinet cut-out
Dimensions	All dimensions in mm

Figure 13: Dimensions push-through version air cooler IP54-ready

**DIMENSIONS AND WEIGHTS**

**4.1.4 Push-through version convection cooler**



## 4.2 Control cabinet installation

### 4.2.1 Mounting instructions

For the mounting of the drive controllers the following mounting materials with the appropriate quality were tested by KEB.

Required material	Tightening torque
Socket screw ISO 4762 - M6 - 8.8	6.5 Nm 58 lb inch
Flat washer ISO 7092 - 6 - 200 HV	—
<i>Table 41: Mounting instructions for built-in version / push-through version convection cooler</i>	

Required material	Tightening torque
Socket screw ISO 4762 - M5 - 8.8	2.5 Nm 22 lb inch
Flat washer ISO 7092 - 5 - 200 HV	—
<i>Table 42: Mounting instructions for push-through version</i>	

### NOTICE

#### Use of other fixing material

- The alternatively selected fixing material must meet the above material characteristics (quality) and tightening torques!

The use of other fixing materials is beyond the control of KEB and is therefore the sole responsibility of the customer.

4.2.2 Mounting distances

Power dissipation for the control cabinet dimension => „3.3.4 Power dissipation at rated operation of the 400 V devices“. A lower value can be used here depending on the operating mode/load.



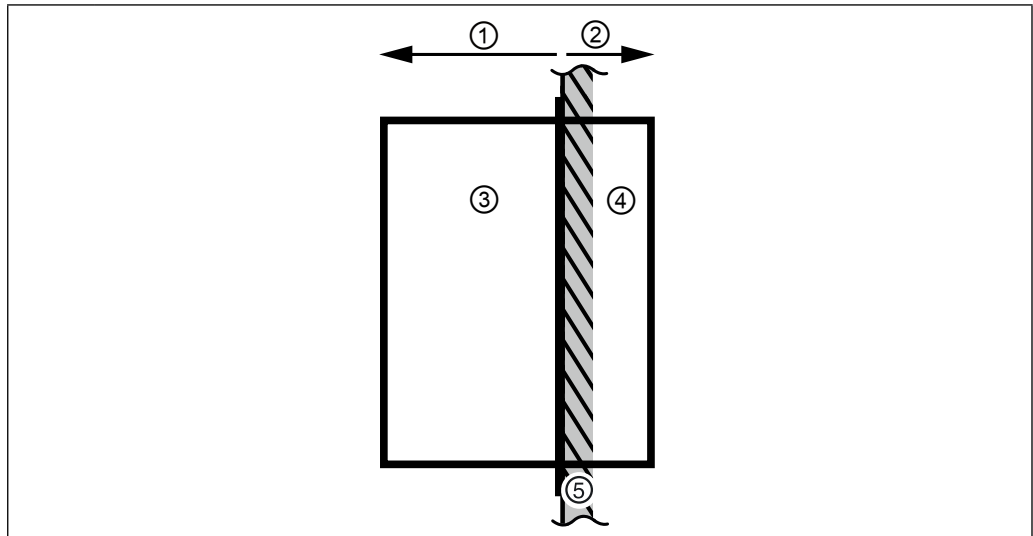
**Mounting the drive controller**

For reliable operation, the drive controller must be mounted without any distance on a smooth, closed, metallicly bright mounting plate.

Mounting distances	Dimension	Distance in mm	Distance in inch
	A	150	6
	B	100	4
	C	30	1.2
	D	0	0
	E	0	0
	F <sup>1)</sup>	50	2
	<sup>1)</sup> Distance to preceding elements in the control cabinet door.		

Figure 15: Mounting distances

4.2.3 Installation of IP54-ready devices



Legend	
1	IP20 zone inside the housing
2	IP54 zone outside the housing
3	Drive controller (power unit and control unit)
4	Drive controller (heat sink)
5	Housing (e.g. Control cabinet wall)

Figure 16: Installation of IP54-ready devices



**IP54 zone: Heat sink outside the housing**

The protection class IP54 can only be achieved when the device is properly installed.

For proper installation, a suitable IP54 seal (=> „5.3.3 Seal for IP54-ready devices“) must be installed between heat sink and housing (e.g. control cabinet wall).

The tightness must be checked after the installation. If properly installed, the separation to the housing corresponds to degree of protection IP54.

In the case of fan-cooled units, the fans must be protected from negative environmental influences.

These include combustible, oily or dangerous fumes or gases, corrosive chemicals, coarse foreign bodies and excessive dust. This applies especially to the access of the heatsink from the top (air outlet).Icing is inadmissible.

UL: Device heat sink is classified as NEMA type 1

**IP20 zone: Device inside the housing**

This part is intended for the installation in a suitable housing for the required degree of protection (e.g. control cabinet).

The power connections are excluded => „3.1.1 Climatic environmental conditions“.

**NOTICE**

**Defect due to continuous splash water !**

- ▶ Never expose the device to continuous splashing water (e.g. direct exposure to rain)!

**4.2.5 Control cabinet ventilation**

If construction-conditioned the control cabinet cannot be without indoor ventilation, appropriate filters must avoid suction of foreign objects.

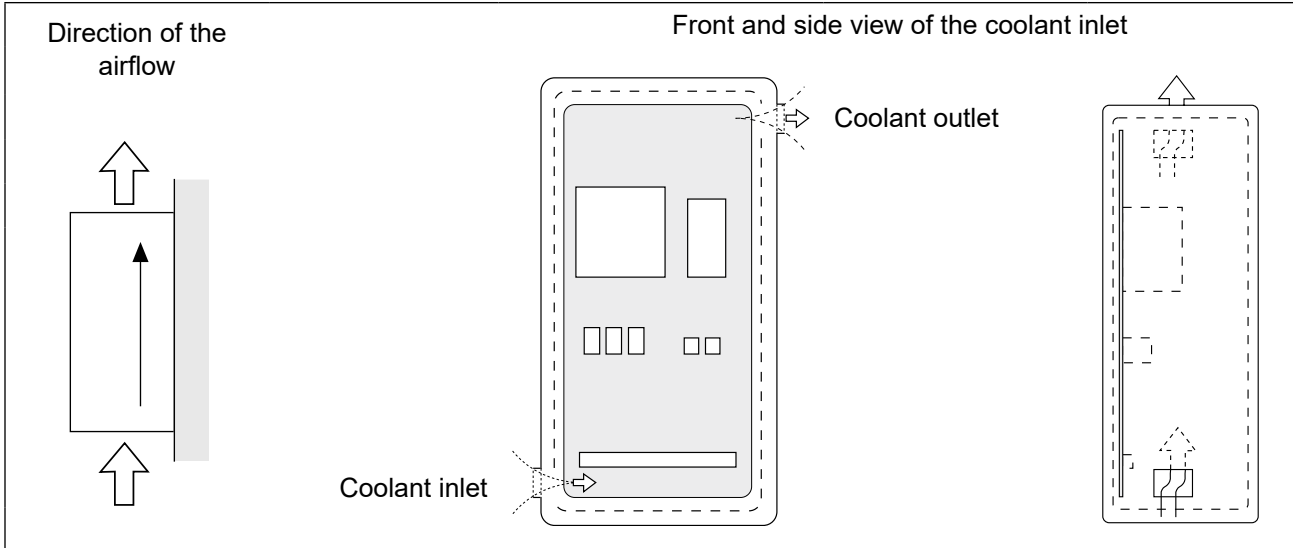
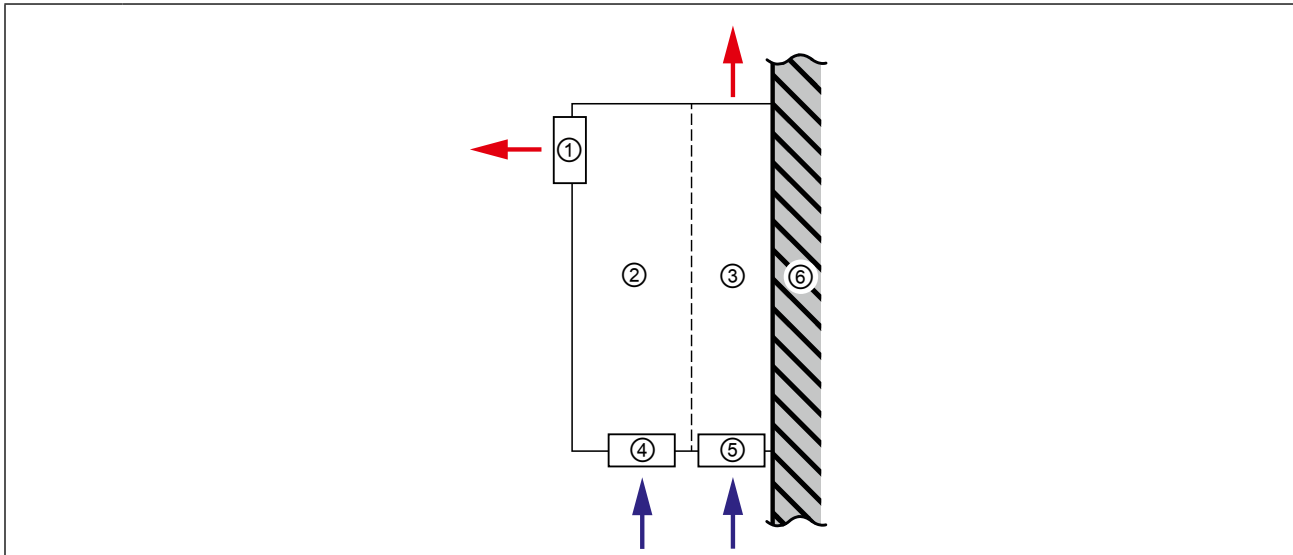


Figure 18: Control cabinet ventilation

**4.2.4 Airflow of the drive converter**



Legend	
	Airflow direction
1	Interior fan (from housing 4)
2	Drive converter (power unit and control)
3	Drive converter (heat sink)
4	Interior fan for (housing 2 and 3)
5	Heatsink fan
6	Housing (e.g. Control cabinet rear)

Figure 17: Airflow of the drive converter



## 5 Installation and connection

### 5.1 Overview of the COMBIVERT F6

Housing 2	No.	Name	Description
	1 / 6a	---	Fixing points for the optional shielding plates. The shielding e.g. from the motor cable is laid on the mounting plate in the control cabinet or on the shield connection bracket (optionally available).  Control unit: • 00F6V80-2000  Power unit: • Built-in version 00F6V80-2001 • Push-through version 00F6V80-2002
	2	---	LEDs (=> manual for control unit chapter "Overview") For control board COMPACT: FS without function. • For control board COMPACT: FS without function • For control card APPLICATION and PRO: Status indication of the safety module
	3	---	Nameplates
	4	X4A	Diagnostic interface with RS232/485 interface according to DIN 66019II protocol / operator slot
	5	X1A	Power circuit terminals for: • Mains input • Braking resistor • DC supply • Motor connection
	6	PE	Protective earth; at connection to protective earth each terminal may be assigned only once.

Figure 19: F6 housing 2 top view

Housing 2		No.	Name	Description
	5	X1A	Power circuit terminals for: <ul style="list-style-type: none"> <li>• Mains input</li> <li>• Braking resistor</li> <li>• DC supply</li> <li>• Motor connection</li> </ul>	
	6	PE	Protective earth; when connecting the protective earth, each terminal may be assigned only once.	
	6a	---	Fixing points for the optional shielding plates. The shielding e.g. from the motor cable is laid on the mounting plate in the control cabinet or on the shielding plates (optionally available). Power unit: <ul style="list-style-type: none"> <li>• Built-in version 00F6V80-2001</li> <li>• Push-through version 00F6V80-2002</li> </ul>	
	7	X3A	Encoder interface channel A	
	8	X3B	Encoder interface channel B	
	9	X1C	Terminal for: <ul style="list-style-type: none"> <li>• Motor temperature monitoring</li> <li>• Brake control</li> </ul>	
	10	---	Interior fan	
	11	---	Heat sink fan	

Figure 20: F6 housing 2 front view



Terminal R can alternatively be labeled with PB.

Housing 2		No.	Name	Description
	12	S1	Rotary coding switch A	
	13	S2	Rotary coding switch B	
	14	X4C	Fieldbus interface (out)	
	15	X4B	Fieldbus interface (in)	
	16	X2B	Safety module	
	17	X2A	Connection for: <ul style="list-style-type: none"> <li>CAN bus</li> <li>Analog inputs and analog output</li> <li>Digital inputs and outputs</li> <li>24V DC voltage supply</li> </ul>	

Figure 21: F6 housing 2 rear view with control board APPLICATION



Further information can be found in the respective control board manual.



Instructions for use COMBIVERT F6 control board APPLICATION  
[www.keb.de/fileadmin/media/Manuals/dr/ma\\_dr\\_f6-cu-a-inst-20118593\\_en.pdf](http://www.keb.de/fileadmin/media/Manuals/dr/ma_dr_f6-cu-a-inst-20118593_en.pdf)



Instructions for use COMBIVERT F6 control board COMPACT  
[www.keb.de/fileadmin/media/Manuals/dr/ma\\_dr\\_f6-cu-k-inst-20144795\\_en.pdf](http://www.keb.de/fileadmin/media/Manuals/dr/ma_dr_f6-cu-k-inst-20144795_en.pdf)



Instructions for use COMBIVERT F6 control board PRO  
[www.keb.de/fileadmin/media/Manuals/dr/ma\\_dr\\_f6-cu-p-inst-20182705\\_en.pdf](http://www.keb.de/fileadmin/media/Manuals/dr/ma_dr_f6-cu-p-inst-20182705_en.pdf)



## 5.2 Connection of the power unit

### NOTICE

#### Destruction of the drive controller!

- ▶ Never exchange mains input and motor output!

### 5.2.1 Connection of the voltage supply

The COMBIVERT F6 housing 2 can be supplied from the mains. The starting current limiting is arranged before the DC link.

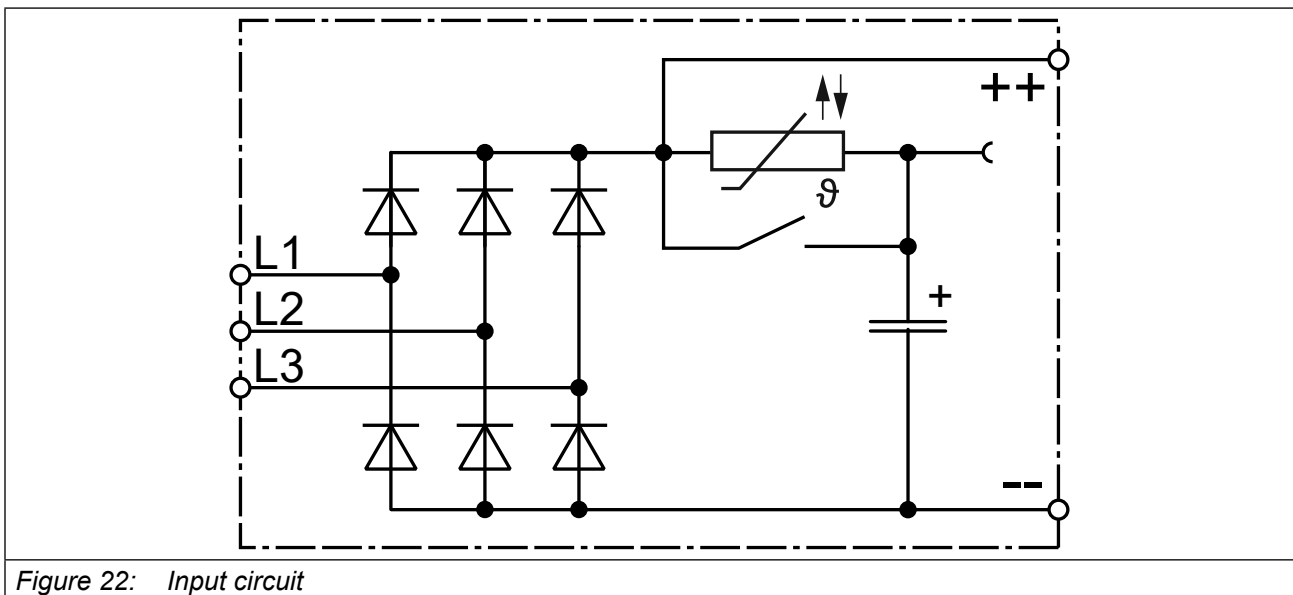


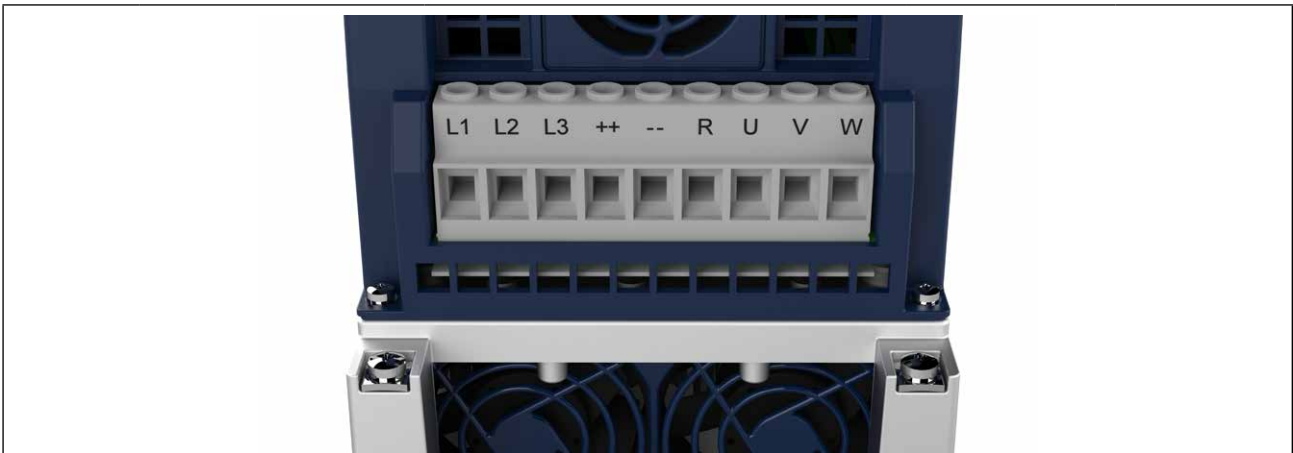
Figure 22: Input circuit



#### Minimum waiting period between two switch-on procedures 5 minutes!

Cyclic switching on and off of the device leads to temporary low resistance of the resistor (NTC) in the input. This causes a higher starting current, which causes stress to the components in the input range (e.g. the input rectifier) and can lead to triggering of the mains fuse.

5.2.1.1 Terminal block X1A



Name	Function	Cross-section for terminal connection	Tightening torque	Max. number of conductors
L1	Mains connection 3-phase	Flexible cable with wire-end ferrule with plastic collars 2.5...10 mm <sup>2</sup> For 2 conductors 0.5mm...1.5mm <sup>2</sup> For UL flexible cable without wire-end ferrule AWG 26...6	1.5 Nm 13 lb inch	For IEC: 2  For UL: 1
L2				
L3				
++	DC terminals			
--				
R	Connection for braking resistor (between R and ++)			
U	Motor connection			
V				
W				

Figure 23: Terminal block X1A



Terminal R can alternatively be labeled with PB.

5.2.2 Protective earth and functional earth



Protective and functional earth must not be connected to the same terminal.

5.2.2.1 Protective earth

The protective earth (PE) serves for electrical safety particularly personal protection in error case.



**Electric shock due to incorrect dimensioning!**



► Cross-section wire to ground should be selected according to *DIN IEC 60364-5-54!*

Name	Function	Terminal connection	Tightening torque
PE, ⊕	Connection for protective earth	Screw M4 for crimp connector	1.3 Nm 11 lb inch

Figure 24: Connection for protective earth



**Incorrect installation of the PE connection.**

Only the M4 screws may be used to connect the protective earth!

5.2.2.2 Functional earthing

A functional earthing may also be necessary, if for EMC requirements additional potential equalization between devices or parts of the system must be available.



The use of the functional earth (FE) is not required if the frequency inverter is EMC-technically wired.

The functional earth may not be wired green/yellow!

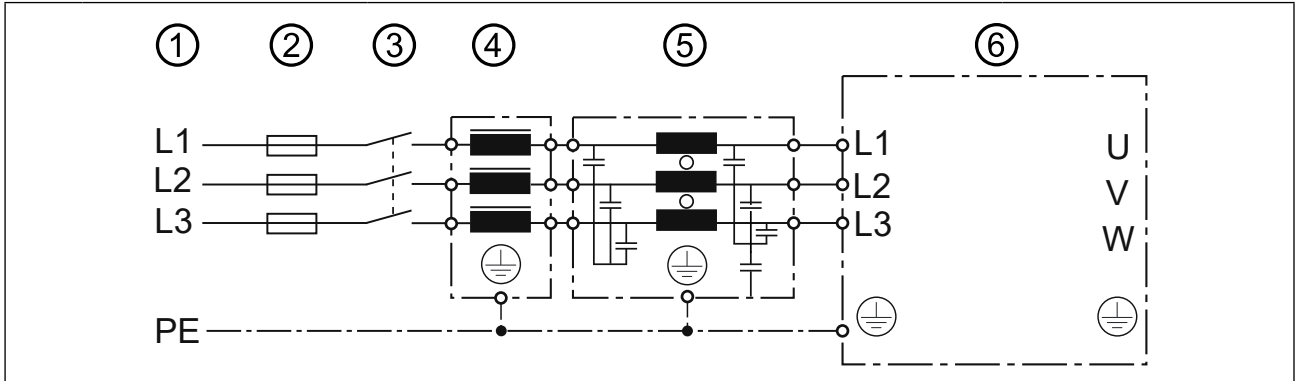


Notes on EMC-compatible installation can be found here.  
[www.keb.de/fileadmin/media/Manuals/emv/0000neb0000.pdf](http://www.keb.de/fileadmin/media/Manuals/emv/0000neb0000.pdf)



5.2.3 AC mains connection

5.2.3.1 AC supply 3-phase



No.	Typ	Description	
1	Mains phase	3-phase	
	Mains form	TN, TT	IT
		The rated voltage between one phase conductor and earth potential (or the neutral point in the IT system) must not exceed 300V, USA UL: 480 / 277V. (For the IT system, a short-term disconnection must be ensured).	
Personal protection	RCMA with separator or RCD type B	Insulation monitors	
2	Mains fuses	see chapter "Protection of the drive controllers"	
3	Mains contactor	-	
4	Mains choke	see notes in chapter "Filters and chokes"	
5	HF filter for TN-, TT systems	Required for compliance with the limit values in accordance with <a href="#">EN 61800-3</a> .	
	HF filter for IT systems		
6	Drive controller	COMBIVERT F6	

Figure 25: Connection of the mains supply 3-phase

5.2.3.2 Supply cable

The conductor cross-section of the supply cable is determined by the following factors:

- Input current of the drive controller
- Used line type
- Installation and ambient temperatures
- The locally valid electrical regulations



The application engineer is responsible for the design!

5.2.3.3 Note on hard power systems

The service life of drive controllers with voltage DC link depends on the DC voltage, ambient temperature and the current load of the electrolytic capacitors in the DC link. The use of mains chokes can increase the service life of the condensators to a considerable extent, especially when connecting to "hard" power systems or when under permanent drive load (continuous duty).

The term "hard" power system means that the nodal point power ( $S_{Net}$ ) of the mains is very high ( $\gg 200$ ) compared to the rated apparent output power of the drive controller ( $S_{out}$ ).

$k = \frac{S_{Net}}{S_{out}} \gg 200$	e.g.	$k = \frac{2 \text{ MVA (supply transformer)}}{11.4 \text{ kVA (14F6)}} = 176 \longrightarrow \text{no choke required}$
---------------------------------------	------	---



A listing of filters and chokes => „5.3.1 Filters and chokes“.



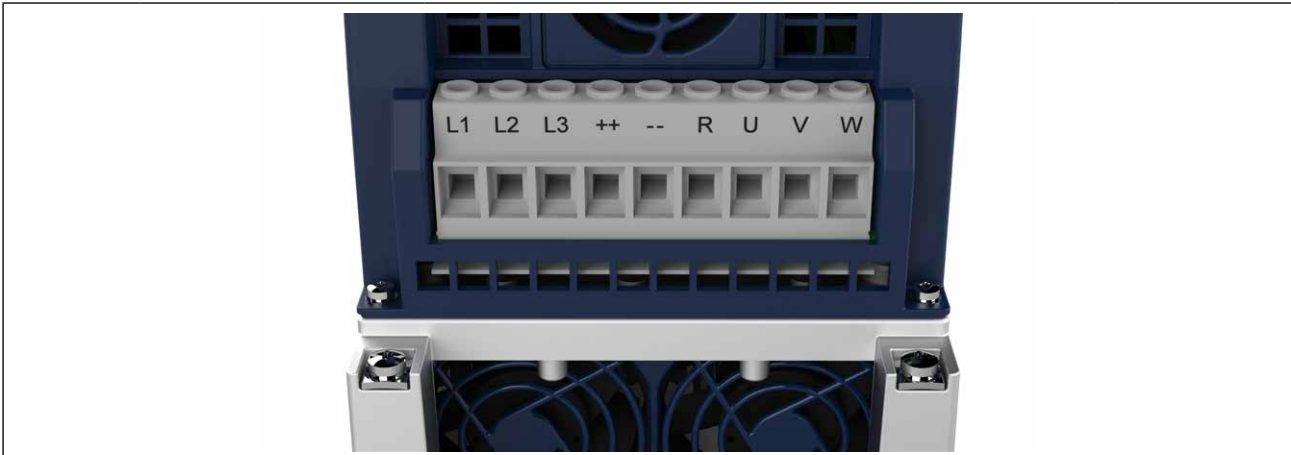
5.2.4 DC connection

**NOTICE**

**DC operation**

▶ DC operation is only permitted after consultation with KEB!

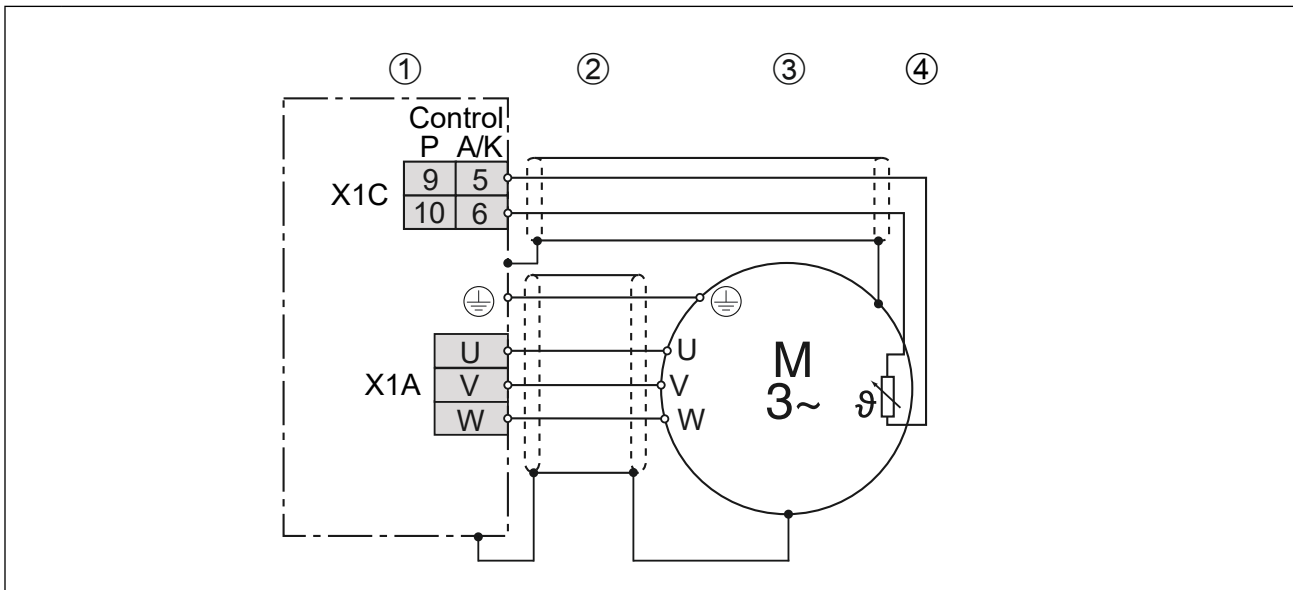
5.2.4.1 Terminal block X1A DC connection



Name	Function	Cross-section for terminal connection	Tightening torque	Max. number of conductors
++	DC terminals	Flexible cable with wire-end ferrule with plastic collars 2.5...10 mm <sup>2</sup>	1.5 Nm 13 lb inch	For IEC: 2
--		For 2 conductors 0.5mm...1.5mm <sup>2</sup>		For UL: 1
		For UL flexible cable without wire-end ferrule AWG 26...6		

Figure 26: Terminal block X1A DC connection

5.2.4.2 Wiring of the motor

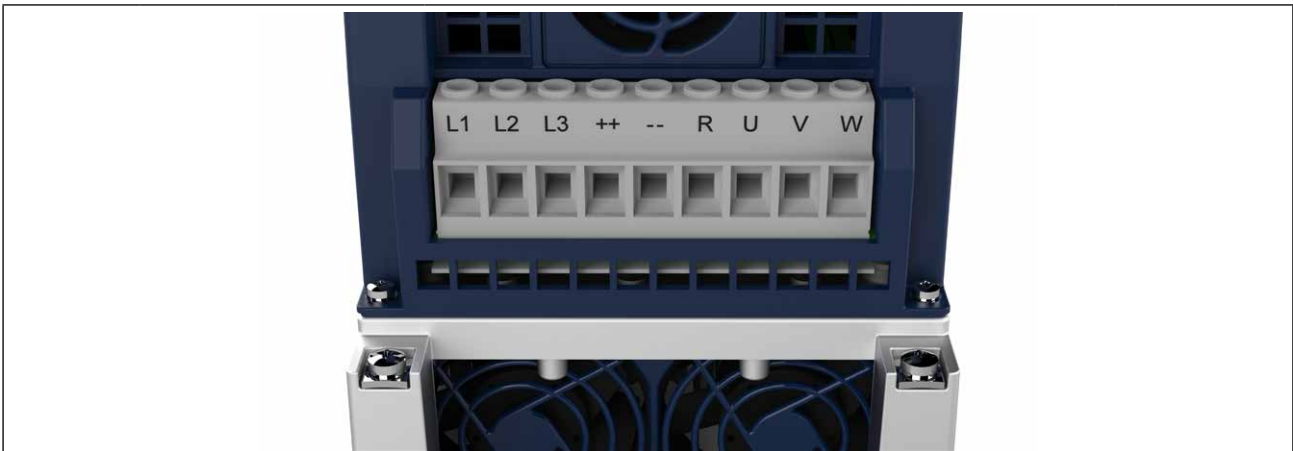


**Legend**

1	KEB COMBIVERT
2	Apply motor cable, shielding on both sides over a large surface on the bare metallic frame or mounting plate (remove paint if necessary)
3	Three-phase motor
4	Temperature monitoring (optional) => <i>Instructions for use "Control circuit"</i>

Figure 27: Wiring of the motor

5.2.4.3 Terminal block X1A motor connection



Name	Function	Cross-section for terminal connection	Tightening torque	Max. number of conductors
U	Motor connection	Flexible cable with wire-end ferrule with plastic collars 2.5...10 mm <sup>2</sup>	1.5 Nm 13 lb inch	For IEC: 2  For UL: 1
V		For 2 conductors 0.5mm...1.5mm <sup>2</sup>		
W		For UL flexible cable without wire-end ferrule AWG 26...6		

Figure 28: Terminal block X1A motor connection

5.2.4.4 Selection of the motor line

The correct cabling as well as the motor line itself play an important part in case of low power in connection with long motor line lengths. Low-capacitance line (phase/phase < 65 pF/m, phase/screen < 120 pF/m) at the inverter output have the following effects:

- allow major motor line lengths („5.2.4.5 Motor cable length and conducted interferences at AC supply“)
- better EMC properties (reduction of the common-mode output currents to earth)

	<p>The use of shielded motor lines with symmetrical structure is required for higher motor power (from 30 kW). In these lines the protective earth conductor is tripartite and evenly arranged between the phase lines. A cable without protective earth conductor can be used if local regulations so permit. Then the protective earth conductor must be laid externally. Certain lines also permit the shield for the use as protective earth conductor. For this, observe the details of the line manufacturer!</p>
<p>Figure 29: Symmetrical motor line</p>	

5.2.4.5 Motor cable length and conducted interferences at AC supply

The maximum motor cable length is depending on the capacity of the motor cable as well as on the EMC emitted interference. External measures must be taken here (e.g. the use of a line filter).



The cable length can be increased significantly by using motor chokes or motor filters. KEB recommends the use of motor chokes or filters for a cable length upto 50 m. Motor chokes or filters are absolutely necessary upto 100 m.



Further information on the motor cable length can be found in the corresponding filter instructions.

#### 5.2.4.6 Motor cable length for parallel operation of motors

The resulting motor cable length for parallel operation of motors, or parallel installation with multiple cables arises from the following formula:

$$\text{Resulting motor cable length} = \sum \text{single cable length} \times \sqrt{\text{Number of motor cables}}$$

#### 5.2.4.7 Motor cable cross-section

The motor cable cross-section is dependent

- on the characteristic of the output current (e.g. harmonic content)
- on the real effective value of the motor current
- on the cable length
- on the type of the used cable
- on the ambient conditions such as bundling and temperature

#### 5.2.4.8 Interconnection of the motor

##### **NOTICE**

##### **Incorrect behavior of the motor!**

- ▶ The connecting-up instructions of the motor manufacturer are always generally valid!

##### **NOTICE**

##### **Protect motor against voltage peaks!**

- ▶ Drive controllers switch at the output with high  $dV/dt$ . Voltage peaks that endanger the insulation system at the motor can occur especially in case of long motor cables (>15 m). A motor choke, a  $dV/dt$ -filter or sine-wave filter can be used to protect the motor with regard to the operating mode.

5.2.4.9 Connection of the temperature monitoring and brake control (X1C)

A switchable temperature evaluation is implemented in the COMBIVERT.

There are different types for the evaluation available. These are depending on the control board => *instruction manual „control board“*.

The desired operating mode can be adjusted via software (dr33). If the evaluation is not required, it must be deactivated via software (parameter pn12 = 7) => *Programming manual*

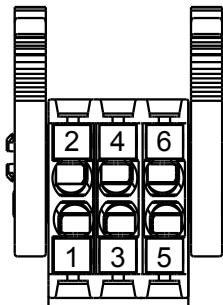
X1C	PIN	Name	Description
	1	BR+	Brake control / output +
	2	BR-	Brake control / output -
	3	reserved	–
	4	reserved	–
	5	TA1	Temperature detection / output +
	6	TA2	Temperature detection / output -

Figure 30: Terminal block X1C for control board APPLICATION and COMPACT

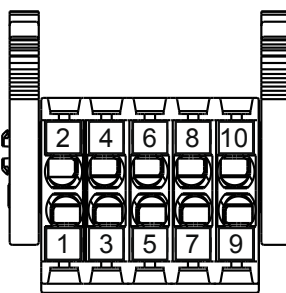
X1C	PIN	Name	Description
	1	BR+	Brake control / output +
	2	BR-	Brake control / output -
	3	0V	For supply of the checkback inputs
	4	24Vout	
	5	DIBR1	Checkback input 1 for brake and relay
	6	DIBR2	Checkback input 2 for brake and relay
	7	reserved	–
	8	reserved	–
	9	TA1	Temperature detection / output +
	10	TA2	Temperature detection / output -

Figure 31: Terminal block X1C for control board PRO

**NOTICE**

**Malfunctions due to incorrect line or laying!**

**Malfunctions of the control due to capacitive or inductive coupling.**

- ▶ Do not route cables from the motor temperature sensor (also shielded) together with control cables.
- ▶ Cables from the motor temperature sensor within the motor cables may only be used with double shielding!
- ▶ The input of the temperature detection has basic isolation.

		<p>For control board APPLICATION and COMPACT. The voltage to the control of a brake is decoupled from the internal voltage supply. The brake works only with external voltage supply.</p> <p>For control board PRO The brake can be supplied with both, internal and external voltage. Voltage tolerances and output currents vary for internal and external voltage supply..</p>
1	COMBIVERT	<p>Respect the specifications =&gt; <a href="#">instruction manual „control board“</a></p>
4	Brake	
<p>Figure 32: Connection of the brake control</p>		

		<p>KTY sensors are polarized semiconductors and must be operated in forward direction! To this connect the anode to TA1 and the cathode to TA2! Non-observance leads to incorrect measurements in the upper temperature range. A protection of the motor winding is then no longer guaranteed.</p>
1	Connection via shield plate (if not available, place on the mounting plate).	
<p>Figure 33: Connection of a KTY sensor</p>		

**NOTICE**

- No protection of the motor winding in case of wrong connection.**
- ▶ Operate KTY sensors in forward direction.
  - ▶ KTY sensors may not be combined with other detections.



Further information about the wiring of the temperature monitoring and the brake control have to be observed in the respective control unit manual.

### 5.2.5 Connection and use of a braking resistor

**⚠ CAUTION**



**Fire risk by using brake resistors!**

- ▶ The risk of fire can be significantly reduced by using „intrinsically safe braking resistors“ or by using suitable monitoring functions / circuits.

**NOTICE**

**Destruction of the frequency inverter if the value has fallen below the minimum brake resistance value!**

- ▶ The minimum brake resistance value must not fall below!  
*„3.3 Device data of the 400 V devices“*

**⚠ CAUTION**



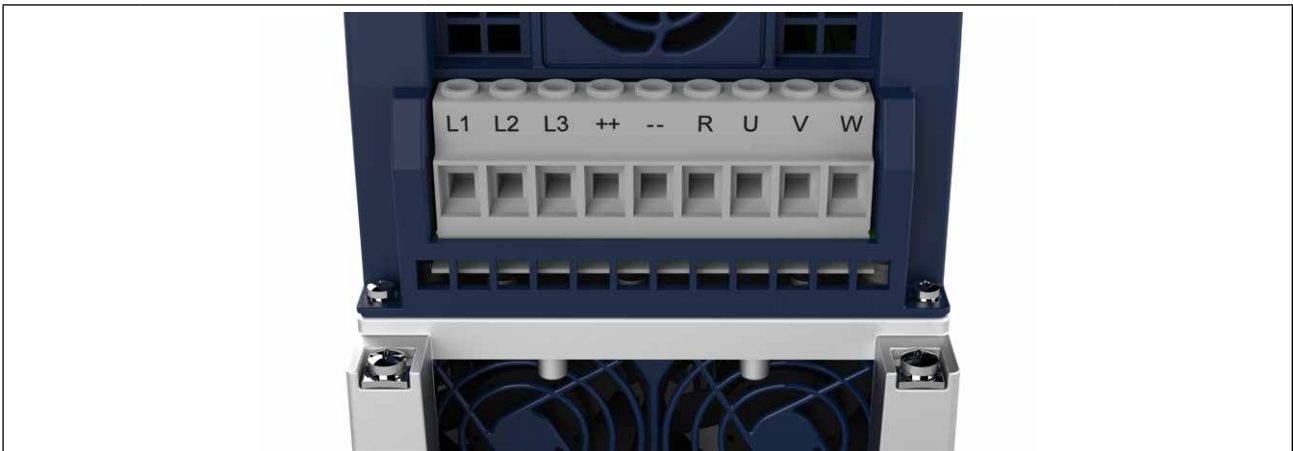
**Hot surfaces caused by load of the braking resistor!**

**Burning of the skin!**

- ▶ Cover hot surfaces safe-to-touch.
- ▶ Before touching, check the surface.
- ▶ If necessary, attach warning signs on the system.



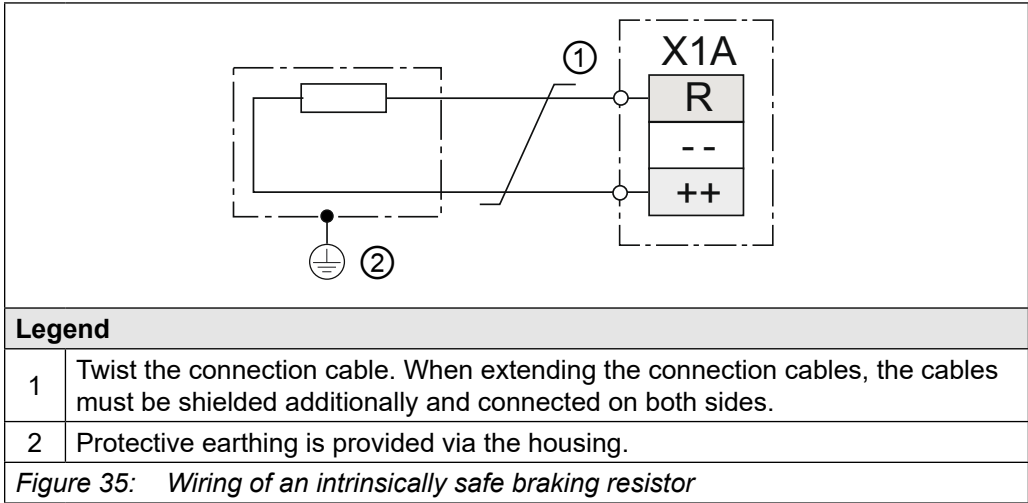
5.2.5.1 Terminal block X1A connection braking resistor



Name	Function	Cross-section for terminal connection	Tightening torque	Max. number of conductors
++	Connection for braking resistor	Flexible cable with wire-end ferrule with plastic collars 2.5...10 mm <sup>2</sup> For 2 conductors 0.5mm...1.5mm <sup>2</sup>	1.5 Nm 13 lb inch	For IEC: 2
R		For UL flexible cable without wire-end ferrule AWG 26...6		For UL: 1

Figure 34: Terminal block X1A connection braking resistor

5.2.5.2 Use of intrinsically safe braking resistors



Intrinsically safe braking resistors behave in error case such as a safety fuse. They interrupt themselves without fire risk.

More information about intrinsically safe braking resistors

[www.keb.de/fileadmin/media/Manuals/dr/ma\\_dr\\_safe-braking-resistors-20106652\\_en.pdf](http://www.keb.de/fileadmin/media/Manuals/dr/ma_dr_safe-braking-resistors-20106652_en.pdf)



5.2.5.3 Use of non-intrinsically safe braking resistors



**Use of non-intrinsically safe braking resistors**

**Fire or smoke emission in case of overload or error!**

- ▶ Only use braking resistors with temperature sensor.
- ▶ Evaluate temperature sensor.
- ▶ Trigger an error at the drive controller (e.g. external input).
- ▶ Switch off input voltage (e.g. input contactor).
- ▶ Connection examples for non-intrinsically safe braking resistors
- ▶ => *Instructions for use "Installation braking resistors"*



Instructions for use "Installation braking resistors"

[www.keb.de/fileadmin/media/Manuals/dr/ma\\_dr\\_braking-resistors-20116737\\_en.pdf](http://www.keb.de/fileadmin/media/Manuals/dr/ma_dr_braking-resistors-20116737_en.pdf)



## 5.3 Accessories

### 5.3.1 Filters and chokes

Voltage class	Drive controller size	HF filter	Mains choke 50 Hz / 4% $U_k$
230V	10	14E6T60-3000	10Z1B03-1000
	12	14E6T60-3000	12Z1B03-1000
	13	16E6T60-3000	13Z1B03-1000
	14	16E6T60-3000	14Z1B03-1000

Table 43: Filters and chokes for 230V devices

Voltage class	Drive controller size	HF filter	Mains choke 50 Hz / 4% $U_k$
400V	12	12E6T60-3000	12Z1B04-1000
	13	14E6T60-3000	13Z1B04-1000
	14	14E6T60-3000	14Z1B04-1000
	15	16E6T60-3000	15Z1B04-1000
	16	16E6T60-3000	16Z1B04-1000

Table 44: Filters and chokes for 400 V devices



The specified filters and chokes are designed for rated operation.

### 5.3.2 Mounting kit shield connection brackets

Name	Material number
Mounting kit shield connection bracket control unit	00F6V80-2000
Mounting kit shield connection bracket power unit for built-in version	00F6V80-2001
Mounting kit shield connection bracket power unit for push-through version IP20-ready / IP54-ready	00F6V80-2002

Table 45: Mounting kit shield connection brackets

### 5.3.3 Seal for IP54-ready devices

Name	Material number
Seal IP54	20F6T45-0001
Seal IP54 convection cooler	09F4T45-A087

Table 46: Seal for IP54-ready devices

### 5.3.4 Side-mounted braking resistors



Technical data and design about intrinsically safe braking resistors => [https://www.keb.de/fileadmin/media/Manuals/dr/ma\\_dr\\_safe-braking-resistors-20106652\\_en.pdf](https://www.keb.de/fileadmin/media/Manuals/dr/ma_dr_safe-braking-resistors-20106652_en.pdf)



Technical data and design about non-intrinsically safe braking resistors => [https://www.keb.de/fileadmin/media/Manuals/dr/ma\\_dr\\_braking-resistors-20116737\\_en.pdf](https://www.keb.de/fileadmin/media/Manuals/dr/ma_dr_braking-resistors-20116737_en.pdf)



## 6 Certification

### 6.1 CE-Marking

The drive controllers marked with a CE logo comply with the requirements of the Machine Directive as well as the EMC and Rohs Directives and energy efficiency regulations.



---

For further information regarding the CE declarations of conformity  
=> „6.3 Further informations and documentation“.

---

6.2 UL certification

	<p>Acceptance according to UL is marked at KEB drive controllers with the adjacent logo on the nameplate.</p>
--	---

To be conform according to UL for use on the North American and Canadian Market the following additionally instructions must be observed (original text of the UL-File):

- Control Board Rating of relays (30Vdc/1A)
- Brake resistor ratings and duty cycle: see RATINGS
- Maximum Surrounding Air Temperature 45°C
- Use in a Pollution Degree 2 environment
- Power Terminals X1A  
Use 75°C Copper Conductors Only

CSA:

- Power Terminals X1A:
 

Maximum wire sizes and tightening torques:	
	MKDS 10HV/9-ZB-10.16 (Phoenix)
	max AWG 6,
	15 lb-inch (1.7 Nm)
	LU10.16 (Weidmueller):
	max. AWG 8 (maximum stripping length 10 mm),
	20.5 lb-inch (2.3 Nm)
- During the UL evaluation, only Risk of Electrical Shock and Risk of Fire aspects were investigated. Functional Safety aspects were not evaluated!
- **WARNING** – The opening of the branch circuit protective device may be an indication that a fault current has been interrupted. To reduce the risk of fire or electrical shock, current-carrying parts and other components of the controller should be examined and replaced if damaged. If burnout of the current element of an overload relay occurs, the complete overload relay must be replaced.

### 6.3 Further informations and documentation

You find supplementary manuals and instructions for the download under [www.keb.de/de/service/downloads](http://www.keb.de/de/service/downloads)

#### General instructions

- EMC and safety instructions
- Manuals for additional control boards, safety modules, fieldbus modules, etc.

#### Instruction and information for construction and development

- Input fuses in accordance with UL
- Programming manual for control and power unit
- Motor configurator to select the appropriate drive converter and to create downloads for parameterizing the drive converter

#### Approvals and approbations

- Declaration of conformity CE
- TÜV certificate
- FS certification

#### Others

- COMBIVIS, the software for comfortable parameterization of drive converters via PC (available per download)
- EPLAN drawings

## 7 Revision history

Version	Date	Description
00	2015-10	Prototype
01	2016-04	Pre-series
02	2016-08	Pre-series (without UL certification)
03	2016-11	UL certified terminal X1A included
04	2017-02	Series version, 4kHz devices included (device size 16), new CI, UL certification included
05	2018-05	Corrections to the technical data figures of the overload characteristics adapted
06	2019-11	Switching performance of fans added, data of overload characteristics adapted.
07	2020-01	Inclusion of the 230V devices
08	2021-10	Fuse values and frequency-dependent maximum currents adapted.
09	2022-05	Fuses of the 400V units extended, type code updated, chapter sequence for installation adapted.
10	2023-02	Inclusion of the convection cooler
11	2024-04	Type code updated, product description updated, editorial changes.





**MORE KEB PARTNERS WORLDWIDE:**

[www.keb-automation.com/contact](http://www.keb-automation.com/contact)





**Automation with Drive**

**[www.keb-automation.com](http://www.keb-automation.com)**

KEB Automation KG Suedstrasse 38 D-32683 Barntrop Tel. +49 5263 401-0 E-Mail: [info@keb.de](mailto:info@keb.de)