

Instructions for use

# F6 Accessories

Flachdichtung für Gehäusegrößen 8 und 9

Translation of the original manual

Document 20336552 DE 00

## Imprint

KEB Automation KG  
Suedstraße 38, D-32683 Bartrup  
Germany  
Tel: +49 5263 401-0 • Fax: +49 5263 401-116  
E-Mail: [info@keb.de](mailto:info@keb.de) • URL: <https://www.keb.de>

ma\_dr\_zub-geh89\_en.pdf  
Version 00 • Edition 07/06/2023

## 1 Scope of delivery

The following flat gaskets are supplied:

- For enclosure size 8: Use inner flat gasket
- For enclosure size 9: Use outer flat gasket

The flat gaskets are

- check for damage
- to be separated at the retaining elements.

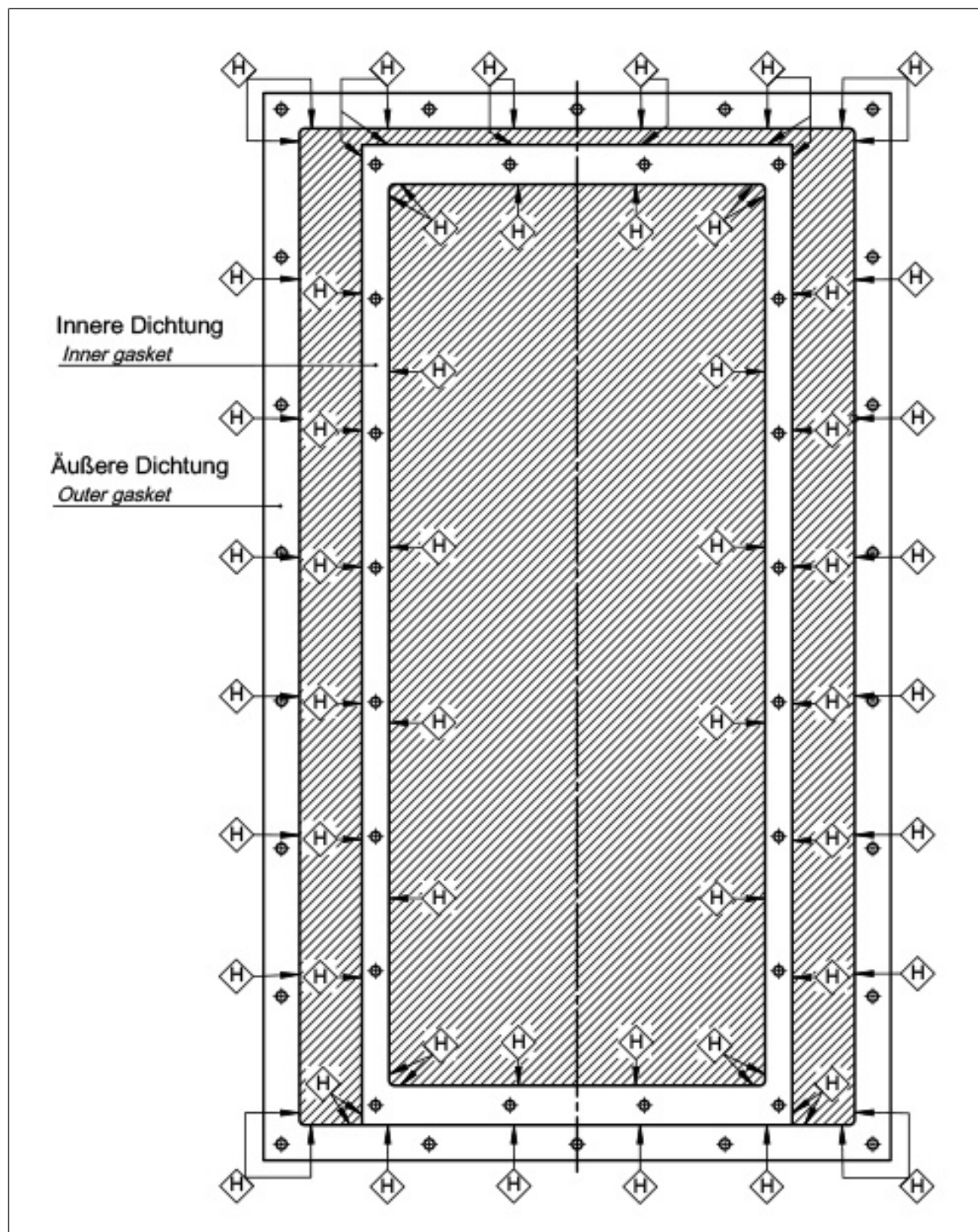


Fig. 1: Flat gaskets

## 2 Installation instructions

**⚠ CAUTION**

---

**Design-related edges and heavy weight****Contusions and bruises**

- a) Never stand under suspended loads.
  - b) Wear safety shoes.
  - c) Secure product accordingly when using lifting tools.
-

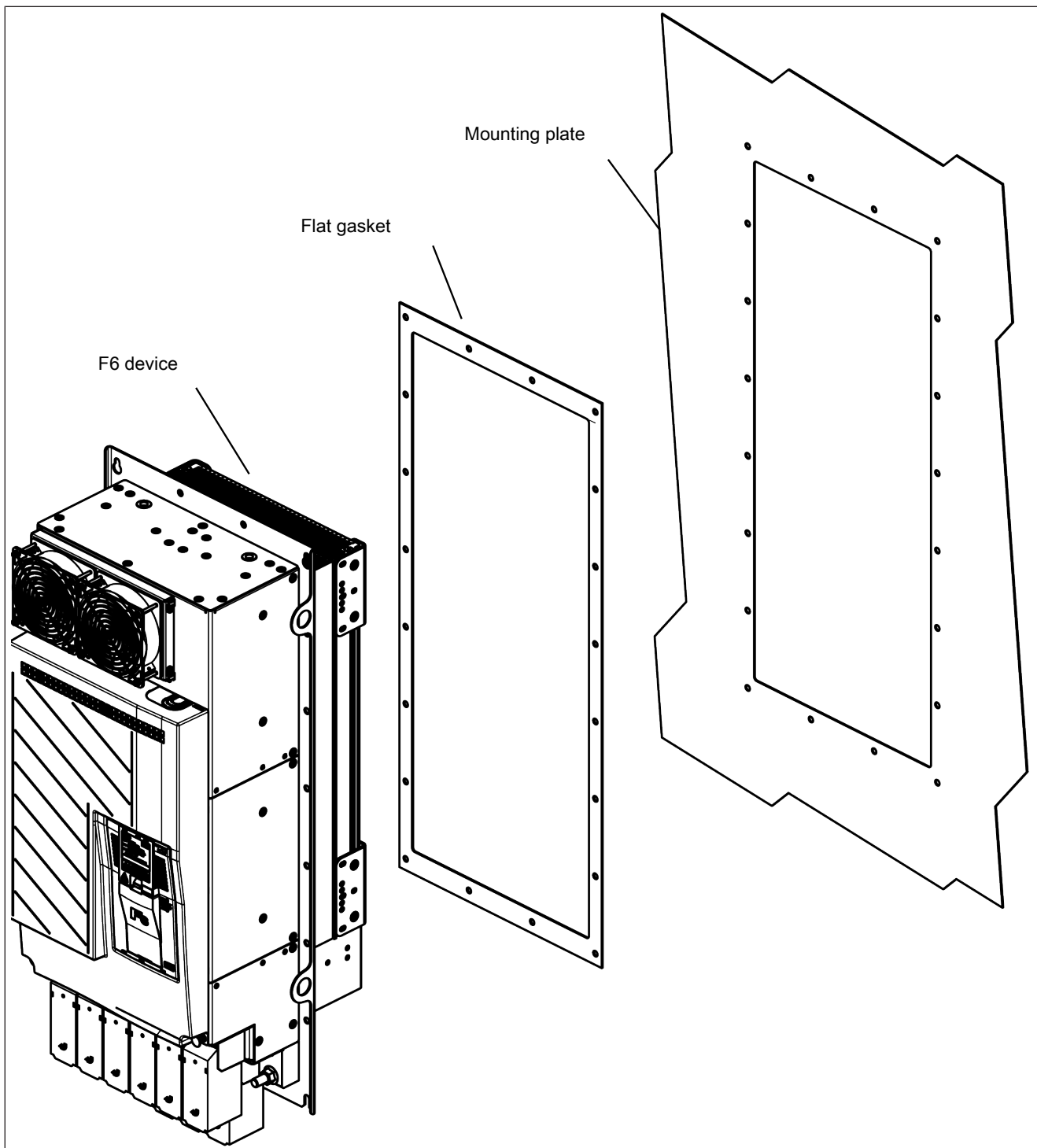


Fig. 2: Example of assembly

- All contact surfaces must be checked for contamination before installation.
- Use screws according to the specifications of the drive converters.



MORE KEB PARTNERS WORLDWIDE:  
[www.keb.de/contact/contact-worldwide](http://www.keb.de/contact/contact-worldwide)





**Automation with Drive**

**[www.keb.de](http://www.keb.de)**

KEB Automation KG • Suedstraße 38 • D-32683 Barntrup • Tel: +49 5263 401-0 • E-Mail: [info@keb.de](mailto:info@keb.de)