

Instructions for use

F6 Accessories

Flat gasket for housing size 7

Translation of the original manual

Document 20336721 00

Imprint

KEB Automation KG
Suedstraße 38, D-32683 Bartrup
Germany
Tel: +49 5263 401-0 • Fax: +49 5263 401-116
E-Mail: info@keb.de • URL: <https://www.keb-automation.com>

ma-dr_zub-geh7_en.pdf
Version 00 • Edition 13/06/2023

1 Scope of delivery

The supplied flat gasket is for housing size 7.

- check for damage
- The flat gasket must be separated at the retaining elements.

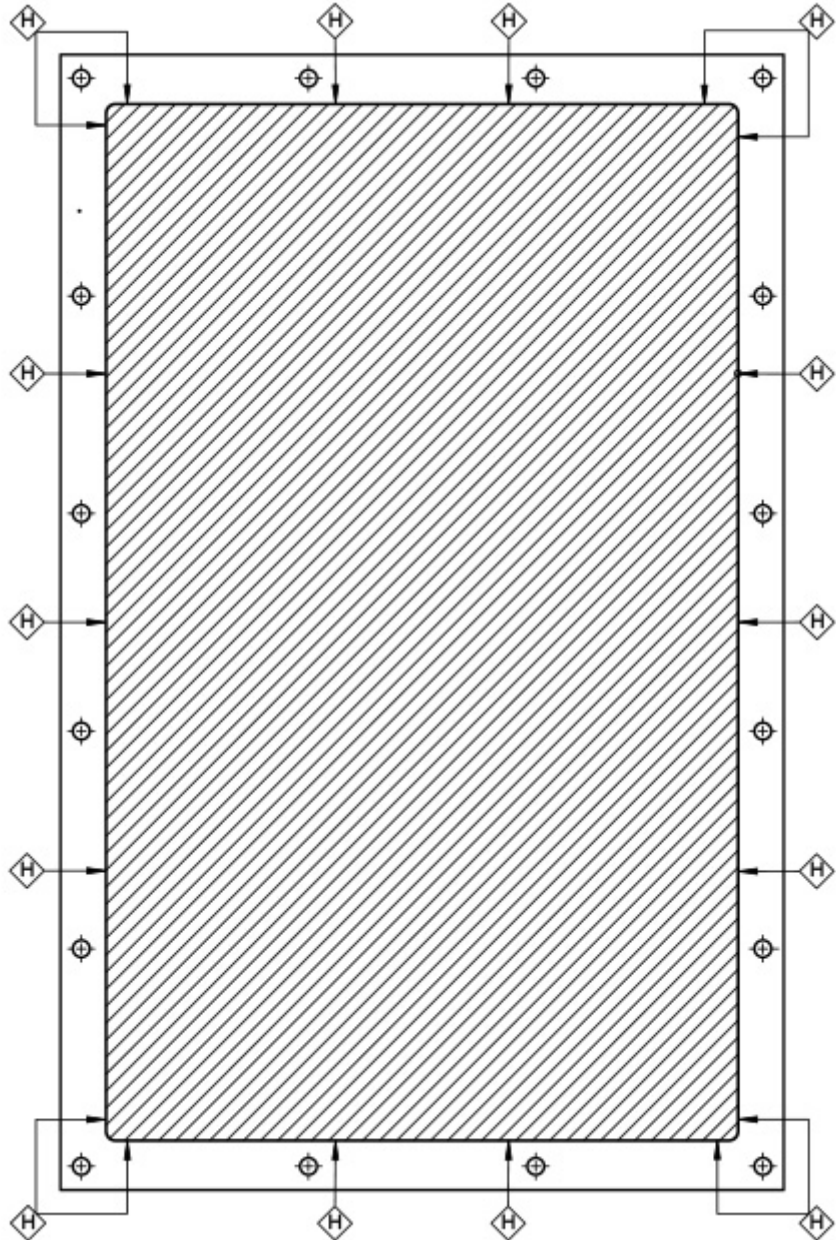


Fig. 1: Flat gasket

2 Installation instructions

⚠ CAUTION

Design-related edges and heavy weight**Contusions and bruises**

- a) Never stand under suspended loads.
 - b) Wear safety shoes.
 - c) Secure product accordingly when using lifting tools.
-

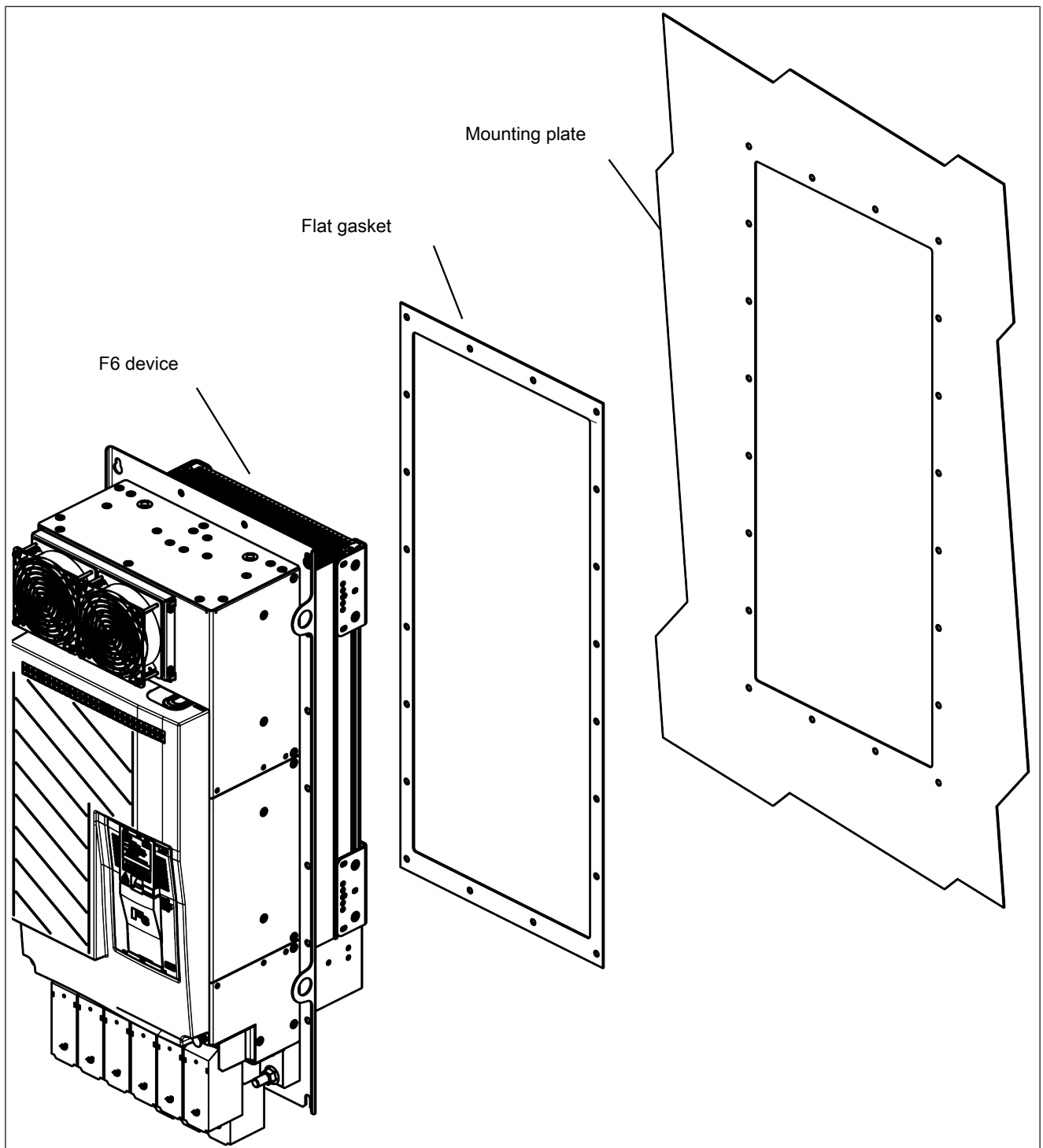


Fig. 2: Example of assembly

- All contact surfaces must be checked for contamination before installation.
- Use fastening materials according to the specifications of the drive converters.



MORE KEB PARTNERS WORLDWIDE:
www.keb-automation.com/contact





Automation **with Drive** www.keb-automation.com
Information: Friedstraße 38 • D-32683 Barntrup • Tel: +49 5263 401-0 • E-Mail: info@keb.de