



COMBIVERT F6

INSTRUCTIONS FOR USE | INSTALLATION F6 SHIELD CONNECTION BRACKETS

Translation of the original manual
Document 20217640 EN 05






Preface

The hardware and software described in this document are products of KEB. The information contained in this document is valid at the time of publishing. KEB reserves the right to update this document in response to misprints, mistakes or technical changes.

Signal words and symbols

Certain procedures within this document can cause safety hazards during the installation or operation of the device. Refer to the safety warnings in this document when performing these procedures. Safety signs are also located on the device where applicable. A safety warning is marked by one of the following warning signs:

 DANGER	Dangerous situation, which will cause death or serious injury if this safety warning is ignored.
 WARNING	Dangerous situation, which may cause death or serious injury if this safety warning is ignored.
 CAUTION	Dangerous situation, which may cause minor injury if this safety warning is ignored.
NOTICE	Situation, which can cause damage to property if this safety warning is ignored.

RESTRICTION

Used when the following statements depend on certain conditions or are only valid for certain ranges of values.



Used for informational messages or recommended procedures.

More symbols

- ▶ This arrow starts an action step.
- / - Enumerations are marked with dots or indents.
- => Cross reference to another chapter or another page.



Note to further documentation.
www.keb.de/service/downloads



Laws and guidelines

KEB Automation KG confirms with the EC declaration of conformity and the CE mark on the device nameplate that it complies with the essential safety requirements.

The EC declaration of conformity can be downloaded on demand via our website.

Warranty and liability

The warranty and liability on design, material or workmanship for the acquired device is given in the general sales conditions.



Here you will find our general sales conditions.

www.keb.de/terms-and-conditions



Further agreements or specifications require a written confirmation.

Support

Although multiple applications are referenced, not every case has been taking into account. If you require further information or if problems occur which are not referenced in the documentation, you can request the necessary information via the local KEB agency.

The use of our units in the target products is outside of our control and therefore lies exclusively in the area of responsibility of the customer.

The information contained in the technical documentation, as well as any user-specific advice in spoken and written and through tests, are made to best of our knowledge and information about the intended use. However, they are regarded as being only informal and changes are expressly reserved, in particular due to technical changes. This also applies to any violation of industrial property rights of a third-party. Selection of our units in view of their suitability for the intended use must be done generally by the user.

Tests can only be done within the intended end use of the product (application) by the customer. They must be repeated, even if only parts of hardware, software or the unit adjustment are modified.

Copyright

The customer may use the instructions for use as well as further documents or parts from it for internal purposes. Copyrights are with KEB and remain valid in its entirety.

This KEB product or parts thereof may contain third-party software, including free and/or open source software. If applicable, the license terms of this software are contained in the instructions for use. The instructions for use are already available to you, can be downloaded free of charge from the KEB website or can be requested from the respective KEB contact person.

Other wordmarks or/and logos are trademarks (™) or registered trademarks (®) of their respective owners.

Table of Contents

- Preface 3**
 - Signal words and symbols 3
 - More symbols..... 3
 - Laws and guidelines..... 4
 - Warranty and liability 4
 - Support 4
 - Copyright..... 4
- Table of Contents 5**
- List of Figures..... 6**
- List of Tables 6**

- 1 Product Description 7**
 - 1.1 Scope of delivery of the mounting kits 7**
 - 1.1.1 Scope of delivery mounting kit control unit F6 housing 2 and 3..... 7
 - 1.1.2 Scope of delivery mounting kit power unit for F6 housing 2 built-in version..... 7
 - 1.1.3 Scope of delivery mounting kit power unit for F6 housing 2 push-through version 7
 - 1.1.4 Scope of delivery mounting kit power unit for F6 housing 2 convection heat sink 8
 - 1.1.5 Scope of delivery mounting kit power unit for F6 housing 3..... 8
 - 1.1.6 Scope of delivery mounting kit power unit for F6 housing 4..... 8

- 2 Dimensions 9**
 - 2.1 Shield connection braket control unit for F6 housing 2 and 3..... 9
 - 2.2 Shield connection braket power unit for F6 housing 2 built-in version..... 10
 - 2.3 Shield connection braket power unit for F6 housing 2 push-through version 11
 - 2.4 Shield connection braket power unit for F6 housing 2 convection heat sink..... 12
 - 2.5 Shield connection braket power unit for F6 housing 3..... 13
 - 2.6 Shield connection braket power unit for F6 housing 4..... 14
 - 2.7 Exemplary assembled shield connection braket 15

- 3 Mounting..... 16**
 - 3.1 Required tool 16
 - 3.2 Tightening torques for the mounting on drive converter 16
 - 3.3 Mounting of a shield connection braket..... 17

- 4 Revision History 19**

List of Figures

Figure 1:	Shield connection bracket control unit 00F6V80-2000 for F6 housing 2 and 3	9
Figure 2:	Shield connection bracket power unit 00F6V80-2001 for F6 housing 2 built-in version	10
Figure 3:	Shield connection bracket power unit 00F6V80-2002 for F6 housing 2 push-through version	11
Figure 4:	Shield connection bracket power unit 00F6V80-2005 for F6 housing 2 push-through version	12
Figure 5:	Shield connection bracket power unit 00F6V80-3001 for F6 housing 3	13
Figure 6:	Shield connection bracket power unit 00F6V80-4001 for F6 housing 4	14
Figure 7:	Exemplary assembled shield connection bracket for F6 housing 4.....	15
Figure 8:	Mounting of a shield connection bracket Example F6 housing 2 push-through version....	17
Figure 9:	Attached shield connection bracket Example F6 housing 2 push-through version	17
Figure 10:	Shield connection bracket mounted on the drive converter.....	18

List of Tables

Table 1:	Scope of delivery mounting kit control unit shield set F6 housing 2 and 3 00F6V80-20007	
Table 2:	Scope of delivery mounting kit power unit 00F6V80-2001	7
Table 3:	Scope of delivery mounting kit power unit 00F6V80-2002	7
Table 4:	Scope of delivery mounting kit power unit 00F6V80-2005	8
Table 5:	Scope of delivery mounting kit power unit 00F6V80-3001	8
Table 6:	Scope of delivery mounting kit power unit 00F6V80-4001	8
Table 7:	Tightening torques for the mounting on drive converter	16

1 Product Description

These instructions for use describe the mounting kits of the shield connection brackets for the COMBIVERT F6 series.

These instructions for use are only valid in conjunction with the corresponding F6 power unit manual.

1.1 Scope of delivery of the mounting kits

1.1.1 Scope of delivery mounting kit control unit F6 housing 2 and 3

Type	Description	Number
Screw	Oval-head screw M3 x 12	3
Screw	Oval-head screw M4 x 12	2
Clamp	Shield clamp R4	3
Sheet metal	Shield connection bracket ST	1
<i>Table 1: Scope of delivery mounting kit control unit shield set F6 housing 2 and 3 00F6V80-2000</i>		

1.1.2 Scope of delivery mounting kit power unit for F6 housing 2 built-in version

Type	Description	Number
Screw	Oval-head screw M4 x 12	2
Terminal	Shield clamp 14mm	1
Terminal	Shield clamp 21mm	1
Sheet metal	Shield connection bracket LT	1
<i>Table 2: Scope of delivery mounting kit power unit 00F6V80-2001</i>		

1.1.3 Scope of delivery mounting kit power unit for F6 housing 2 push-through version

Type	Description	Number
Nut	Self-locking nut M4	2
Terminal	Shield clamp 14mm	1
Terminal	Shield clamp 21mm	1
Sheet metal	Shield connection bracket LT	1
<i>Table 3: Scope of delivery mounting kit power unit 00F6V80-2002</i>		

PRODUCT DESCRIPTION

1.1.4 Scope of delivery mounting kit power unit for F6 housing 2 convection heat sink

Type	Description	Number
Terminal	Shield clamp 14mm	1
Terminal	Shield clamp 21mm	1
Sheet metal	Shield connection braket LT	1

Table 4: Scope of delivery mounting kit power unit 00F6V80-2005

1.1.5 Scope of delivery mounting kit power unit for F6 housing 3

Type	Description	Number
Screw	Oval-head screw M3 x 12	1
Screw	Oval-head screw M5 x 12	2
Screw	Oval-head screw M6 x 20	2
Screw	Oval-head screw M6 x 30	2
Nut	Cage nut M6	4
Clamp	Shield clamp R10	1
Clamp	Shield clamp R16	1
Clamp	Double shield clamp	1
Sheet metal	Shield connection braket LT	1

Table 5: Scope of delivery mounting kit power unit 00F6V80-3001

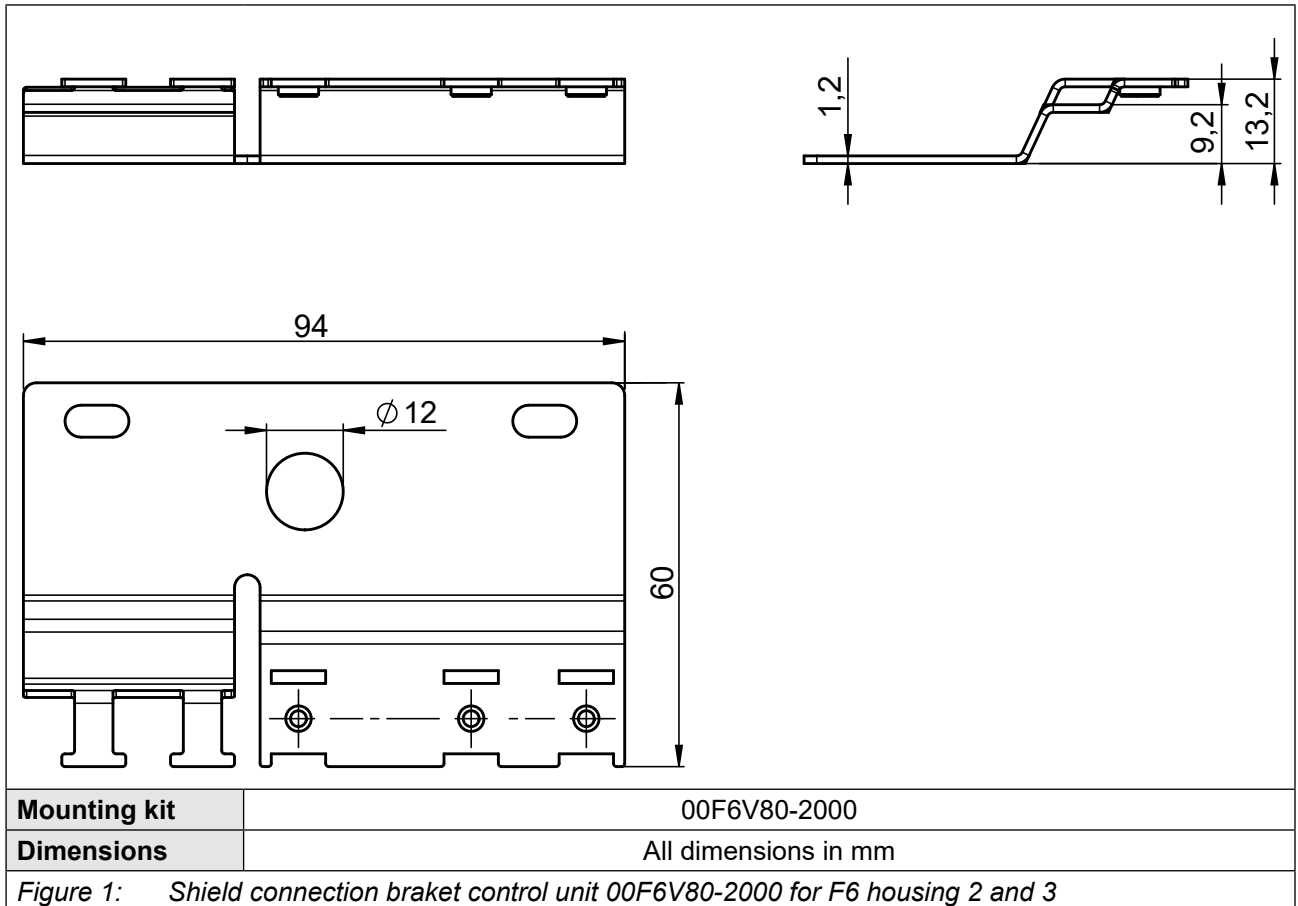
1.1.6 Scope of delivery mounting kit power unit for F6 housing 4

Type	Description	Number
Screw	Oval-head screw M6 x 12	2
Screw	Oval-head screw M6 x 20	2
Screw	Oval-head screw M6 x 25	2
Screw	Oval-head screw M6 x 35	2
Screw	Oval-head screw M6 x 40	2
Nut	Cage nut M6	6
Clamp	Shield clamp R10	1
Clamp	Shield clamp R16	1
Clamp	Shield clamp R20	1
Sheet metal	Shield connection braket LT	1

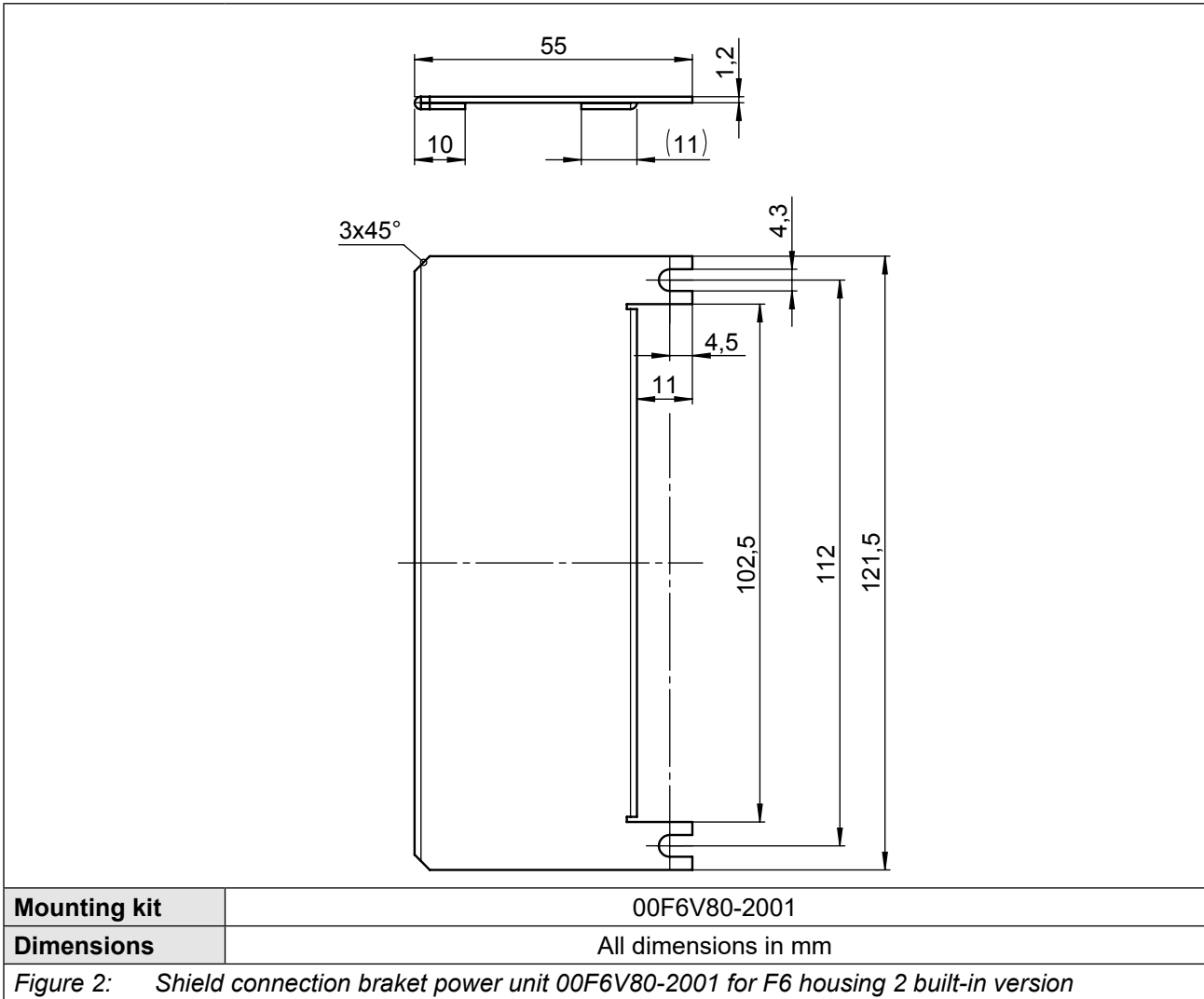
Table 6: Scope of delivery mounting kit power unit 00F6V80-4001

2 Dimensions

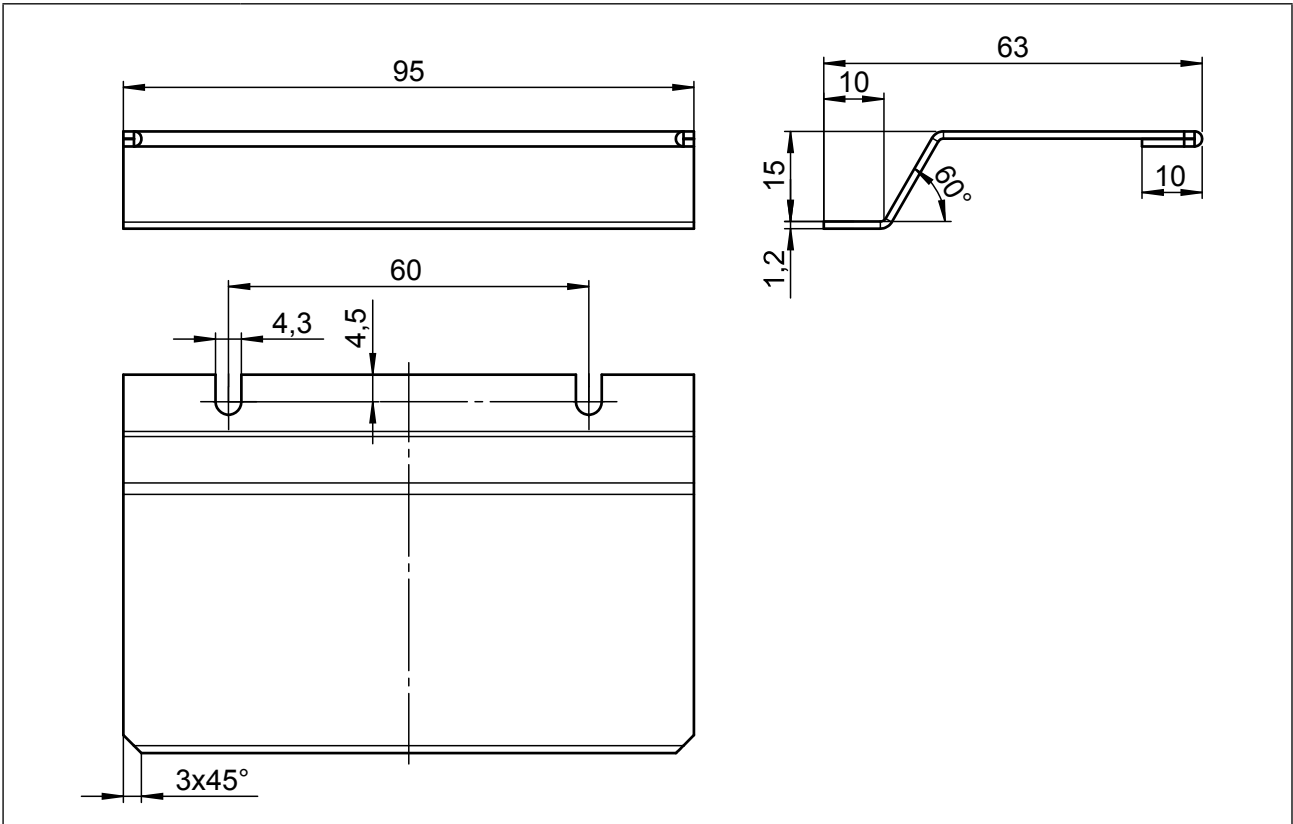
2.1 Shield connection bracket control unit for F6 housing 2 and 3



2.2 Shield connection bracket power unit for F6 housing 2 built-in version

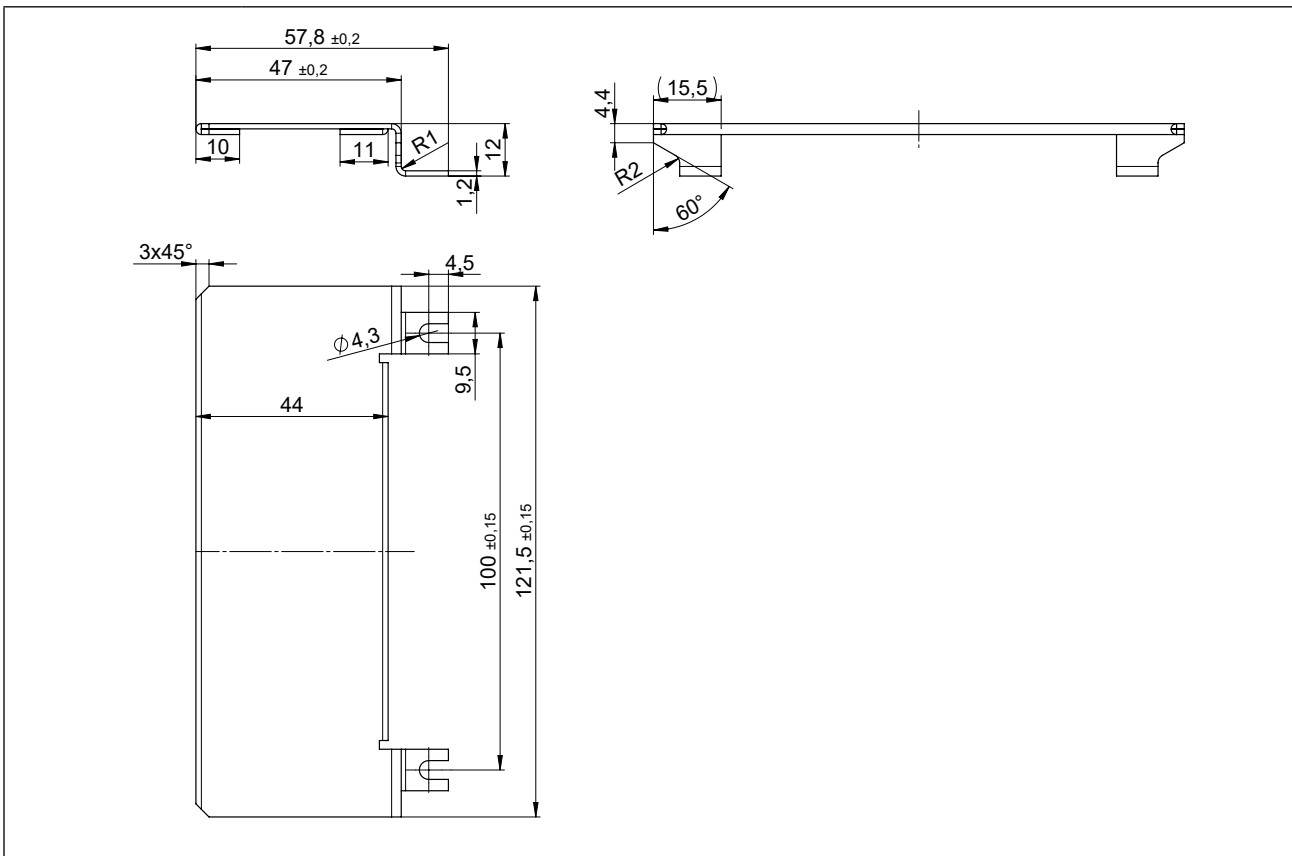


2.3 Shield connection bracket power unit for F6 housing 2 push-through version



Mounting kit	00F6V80-2002
Dimensions	All dimensions in mm
<i>Figure 3: Shield connection bracket power unit 00F6V80-2002 for F6 housing 2 push-through version</i>	

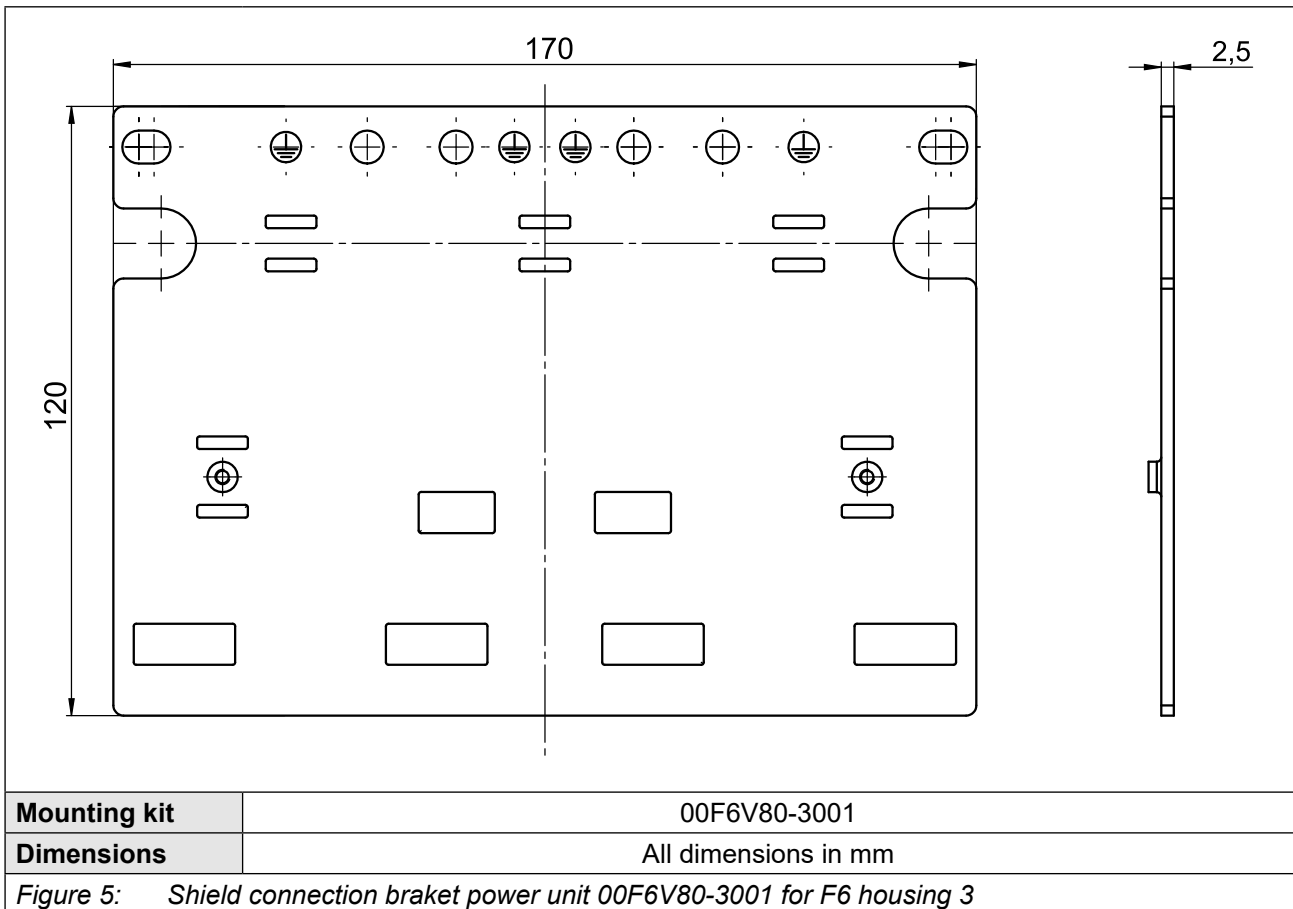
2.4 Shield connection bracket power unit for F6 housing 2 convection heat sink



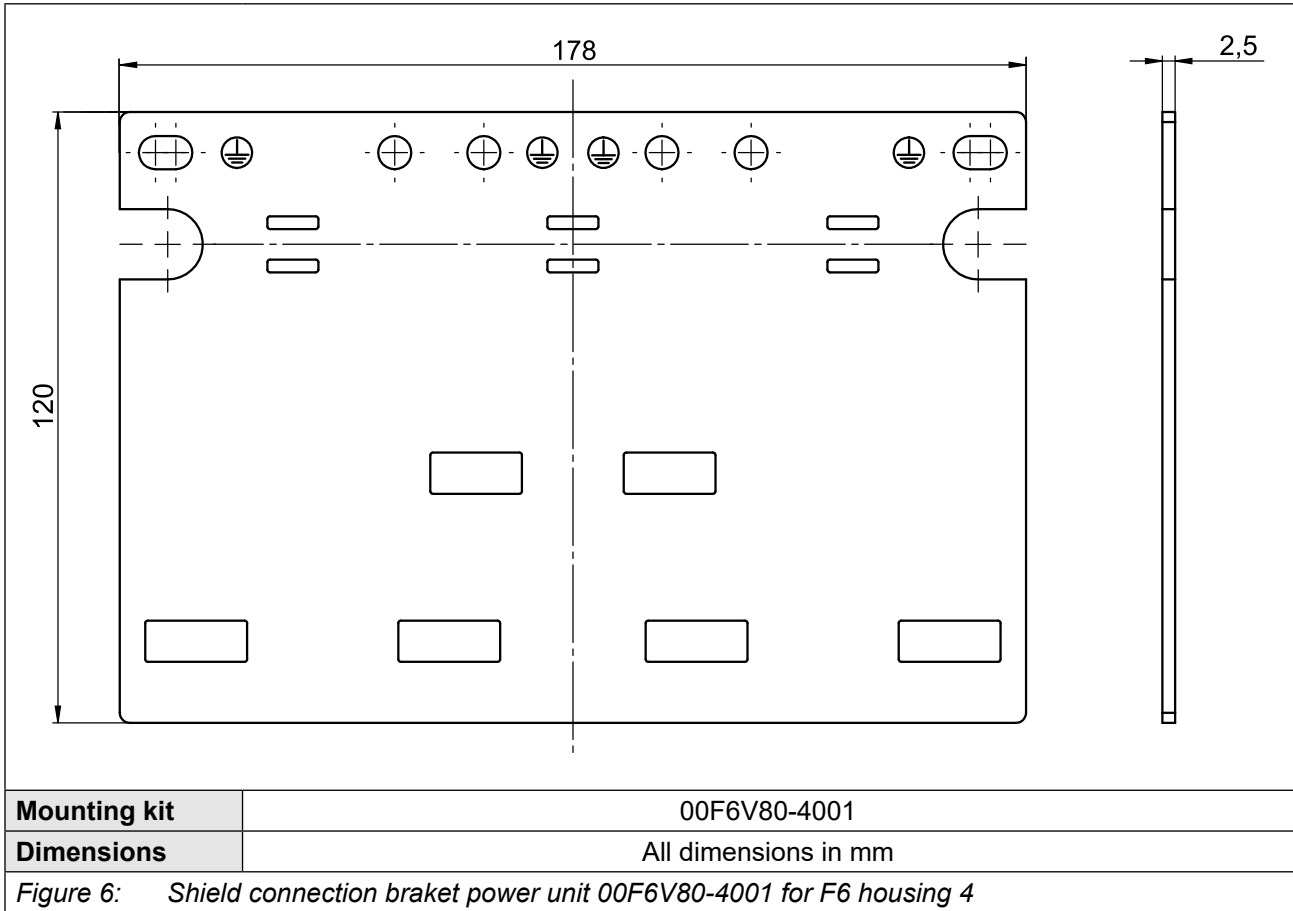
Mounting kit	00F6V80-2005
Dimensions	All dimensions in mm

Figure 4: Shield connection bracket power unit 00F6V80-2005 for F6 housing 2 push-through version

2.5 Shield connection bracket power unit for F6 housing 3

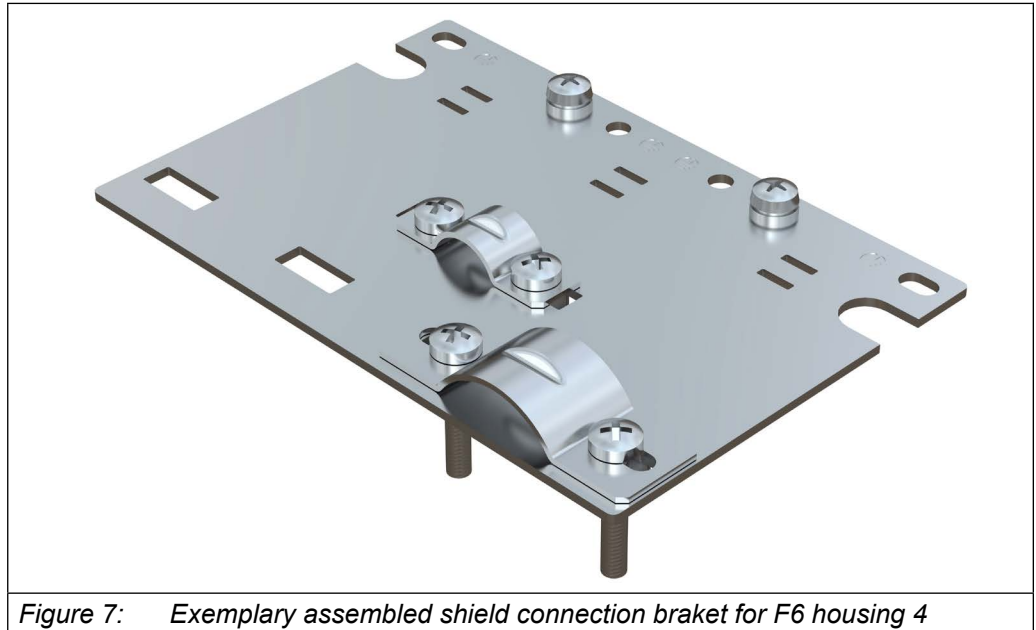


2.6 Shield connection bracket power unit for F6 housing 4



2.7 Exemplary assembled shield connection bracket

The following figure shows an example of an assembled shield connection bracket for F6 housing 4.



3 Mounting

3.1 Required tool

- Phillips screwdriver type PH1
- Phillips screwdriver type PH2
- Wrench for M4
- Wrench for M6

3.2 Tightening torques for the mounting on drive converter

The shield connection brackets must be attached to the drive converter with the following torques.

Mounting kit	Material number	Mounting type	Tightening torque
Control unit F6 housing 2 and 3	00F6V80-2000	Screw M4 x 12	2Nm 18lb inch
Power unit F6 housing 2 built-in version	00F6V80-2001	Screw M4 x 12	2Nm 18lb inch
Power unit F6 housing 2 push-through version	00F6V80-2002	Self-locking nut M4	2Nm 18lb inch
Power unit F6 housing 2 convection heat sink	00F6V80-2005	Screw M4 x 12	2Nm 18lb inch
Power unit F6 housing 3	00F6V80-3001	Screw M5 x 12	4.5Nm 40lb inch
Power unit F6 housing 4	00F6V80-4001	Screw M6 x 12	8Nm 71lb inch

Table 7: Tightening torques for the mounting on drive converter

3.3 Mounting of a shield connection bracket

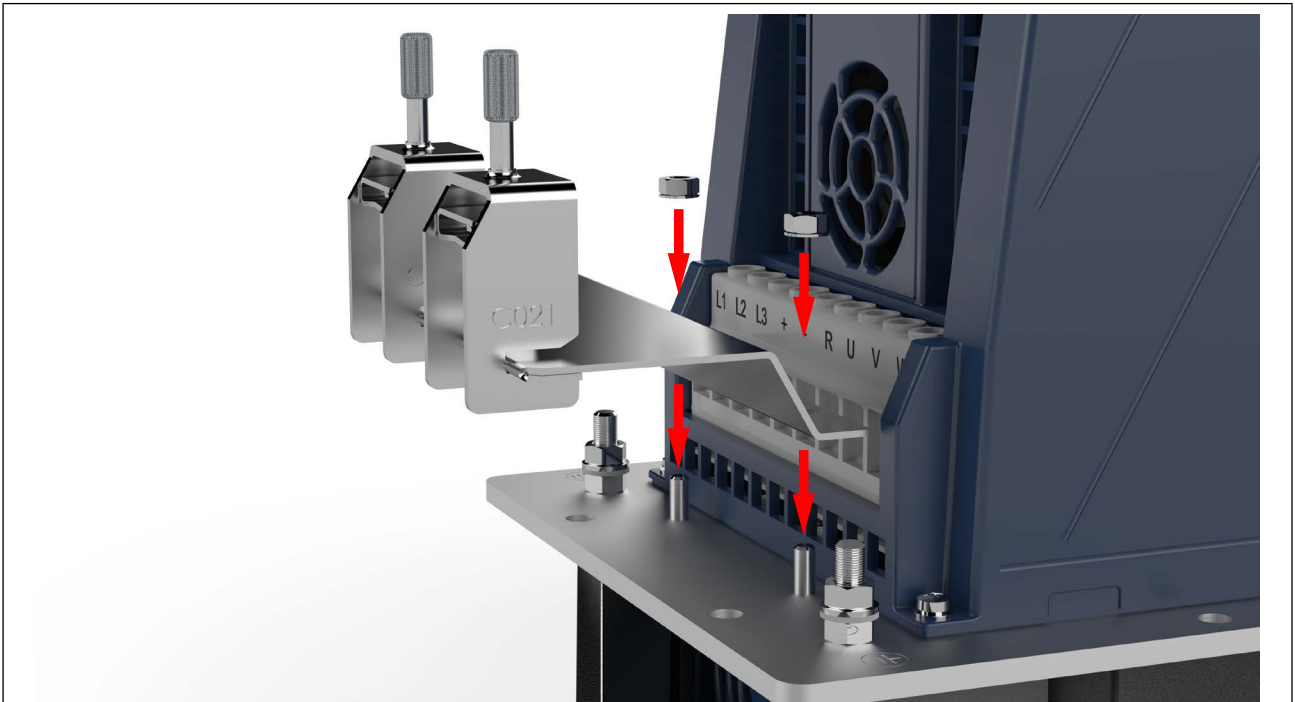


Figure 8: Mounting of a shield connection bracket Example F6 housing 2 push-through version

- Attach the shield connection bracket and the supplied nuts / screws

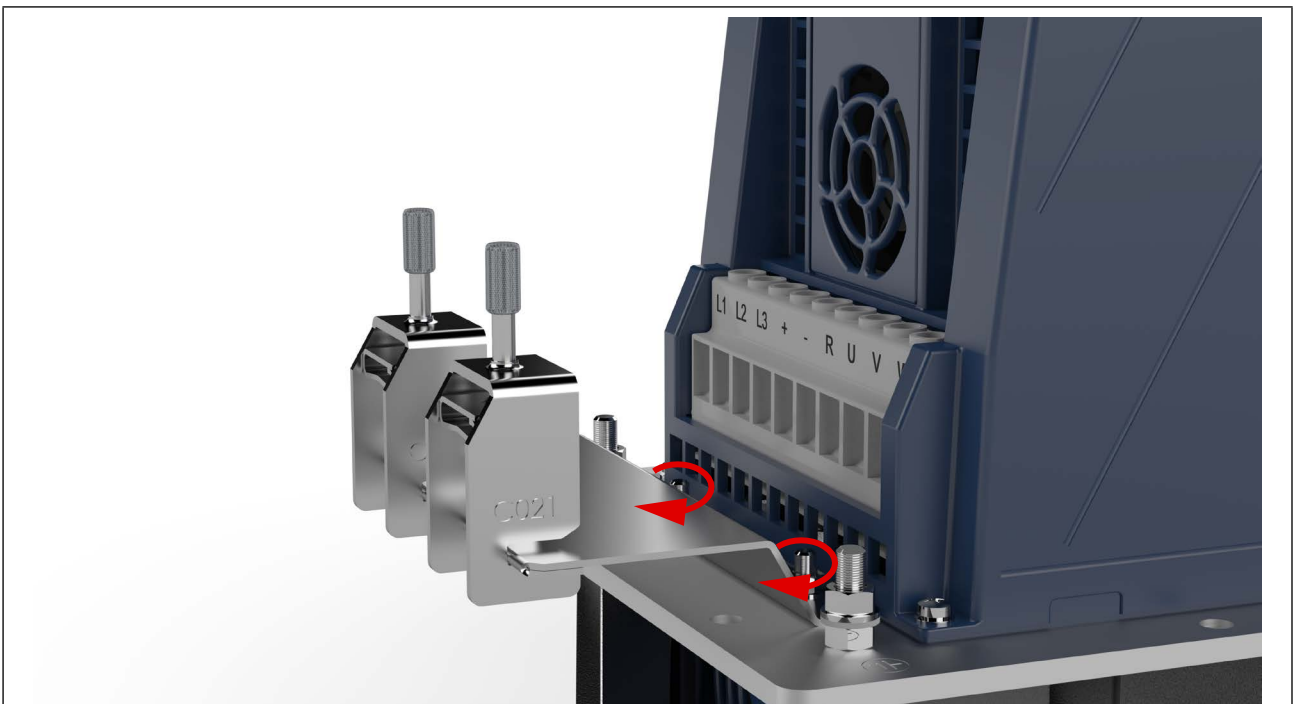


Figure 9: Attached shield connection bracket Example F6 housing 2 push-through version

- Tighten nuts / screws. The tightening torques are shown in the table „[Tightening torques for the mounting on drive converter](#)“.



Figure 10: Shield connection bracket mounted on the drive converter.

Shield connection bracket mounted on the drive converter.

4 Revision History

Version	Date	Description
00	2020-02	Completion of series version.
01	2020-11	Change of the measurments of 00F6V80-2000.
02	2021-04	Corrections to drawing 00F6V80-2000.
03	2022-01	Cover picture adapted. Number of clamps for kit 00F6V80-2000 adapted.
04	2022-03	M6 x 40 screws included in mounting kit 00F6V80-4001.
05	2024-07	F6 housing 2 convection heat sink .



MORE KEB PARTNERS WORLDWIDE:

www.keb-automation.com/contact





Automation with Drive

www.keb-automation.com

KEB Automation KG Suedstrasse 38 D-32683 Barntrop Tel. +49 5263 401-0 E-Mail: info@keb.de