

# 1 Installation C6 X1-T1

## 1.1 Basic Safety Instructions

### NOTICE

#### Hazards and risks through ignorance!

- Read the instructions for use.
- Observe the safety and warning instructions.
- Ask if something is unclear.

## 1.2 Assembly

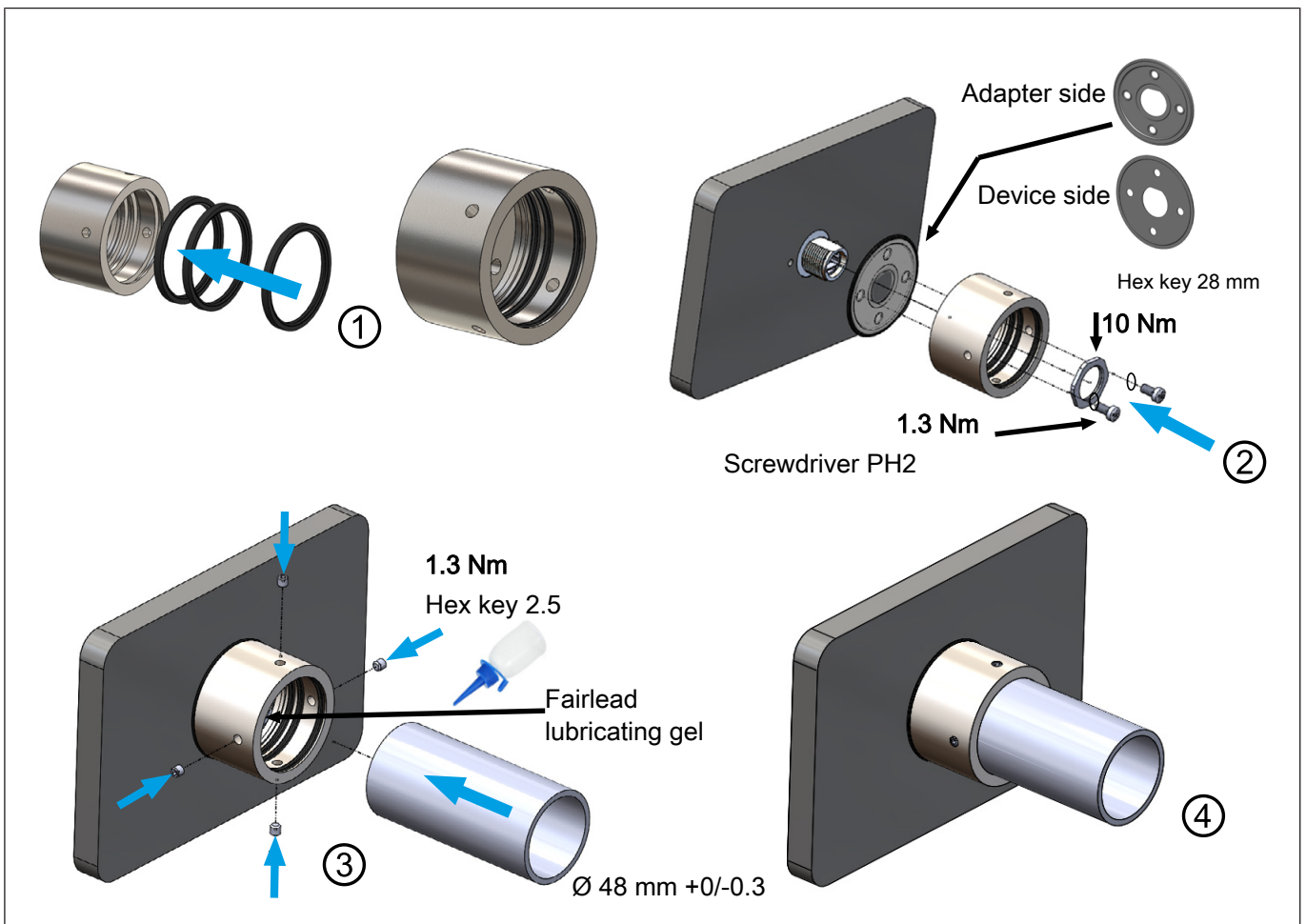


Fig. 1: Assembly C6 X1-T1

- |                                      |                        |
|--------------------------------------|------------------------|
| ① Insert sealing rings               | ② Screw on the bracket |
| ③ Insert and fasten the holding tube | ④ Finished bracket     |

### NOTICE

#### Ingress of water or dust!

- To ensure IP67 and TYPE 1 or 12 or 4X the assembly instructions must be followed scrupulously.

**NOTICE****Unpredictable malfunctions**

- a) Installation must be carried out by specialised personnel with the necessary skills.
- b) Only use this mounting system for its intended purpose as described in this manual.
- c) Only use original manufacturer parts.
- d) It is the customer's responsibility to ensure that all mounting systems are correctly assembled and installed using the appropriate instructions.

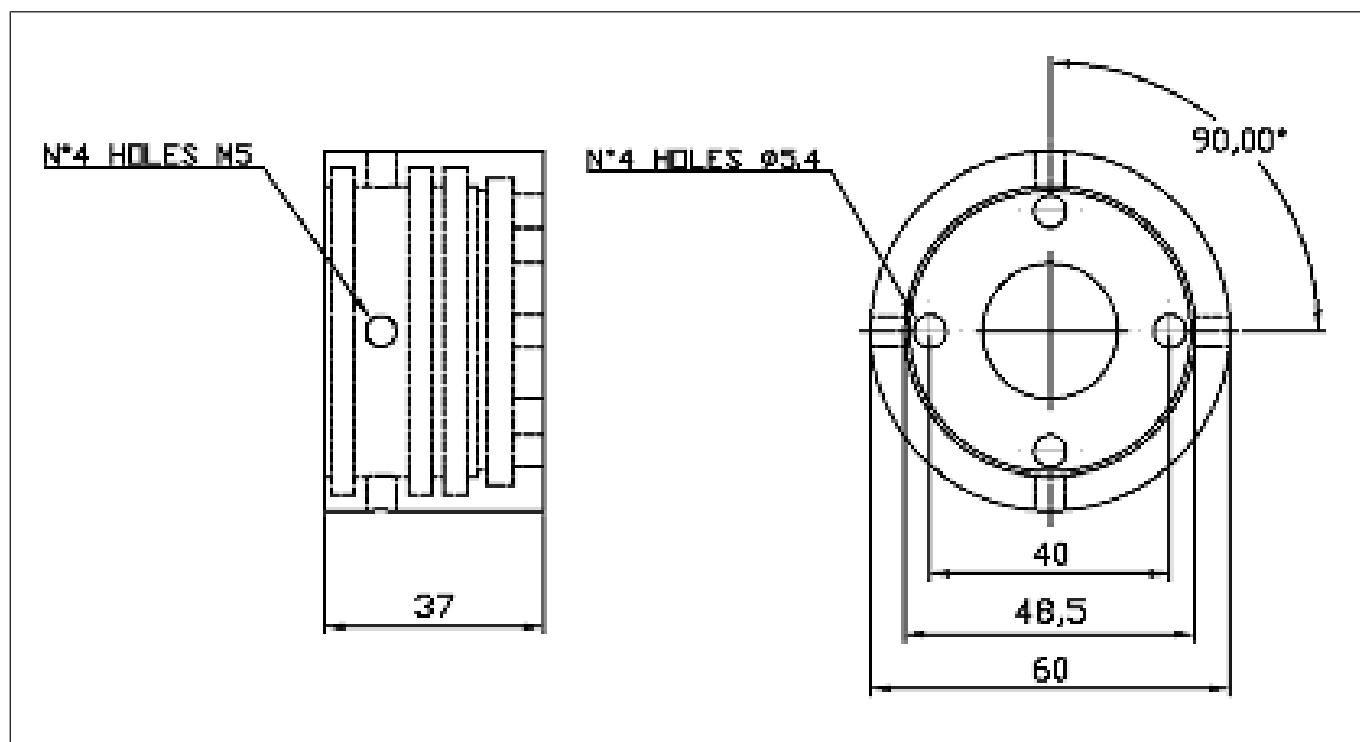
**1.3 Dimensions**

Fig. 2: Dimensions C6 X1-T1