

Quick Start  
**C6 X1 WEB**  
HMI Series



00C6N1M-X1A0

Translation of the original manual  
Document 20349912 EN 02

## 1 Using the quick guide

- Provides information on handling, assembly and installation.
- Remains for later use at the product.
- Does **not** replace the electronically provided instructions for use.
- This manual is intended exclusively for persons who are familiar with the logistics and installation. The person must have the following qualifications:
  - Knowledge and understanding of the safety instructions.
  - Skills for installation and assembly.
  - Knowledge of EMC-conform wiring.
  - Knowledge of IEC 60364-5-54.
  - Knowledge of national safety regulations (e.g. DGUV Regulation 3).

## 2 Intended use

The devices are designed in accordance with the Directives 2014/53/EU and 2011/65/EU for the use in residential, commercial, industrial environments.

## 3 Safety instructions

### NOTICE

#### Hazards and risks through ignorance!

- Read the instructions for use.
- Observe the safety and warning instructions.
- Ask if something is unclear.

### ⚠ DANGER



#### Electrical voltage in the vicinity of the device!

##### Danger to life due to electric shock!

- ✓ This device is intended for installation in control cabinets or machines that can be operated under dangerous voltages. For any work on the device
  - Switch off the supply voltage of the control cabinet or machine.
  - Secure it against switching on.
  - Wait until all drives has been stopped in order that no regenerative energy can be generated.
  - Never bridge upstream protective devices. Also not for test purposes.

### NOTICE



#### Use of suitable voltage sources!

##### Electric shock!

- Use suitable voltage sources with safe isolation (SELV/PELV) in accordance with VDE 0100 with nominal voltage of DC 24 V ±10 %.
- Pay attention to a sufficient overvoltage category of the voltage supply.
- With existing or newly-wired circuits the person installing the device or machine must ensure that the PELV requirements are met.

## 4 TRANSPORT

- When receiving goods, check the device for transport damage such as deformations or loose parts.
- In case of damage, contact the carrier immediately.
- Do not operate the device in case of transport damage!
- Make sure that no components are bent and/or isolation distances are changed.
- The device must not be put into operation in case of mechanical defects. There is no compliance with applicable standards any more.

## 5 Storage

- Do not store the devices
- in the environment of aggressive and/or conductive liquids or gases.
  - at places with direct sunlight.
  - outside the specified environmental conditions.

## 6 Dimensions and weights

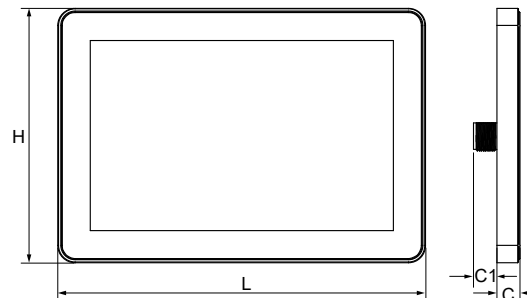


Fig. 1: Dimensions monitors

	Height (H)	Length (L)	Width (C)	Weight
C6 X1-07	131,6 mm	195,2 mm	16,5 mm	0,7 kg
C6 X1-10	183,1 mm	264,5 mm	16,5 mm	1,2 kg
C6 X1-15	248 mm	398,6 mm	26,5 mm	4,0 kg
C6 X1-21	325,6 mm	534,1 mm	26,5 mm	6,0 kg

C1: 17 mm all sizes

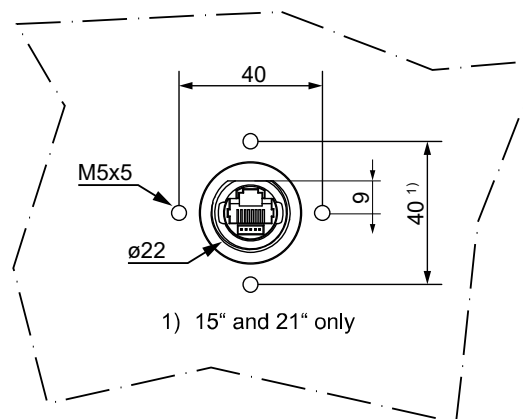


Fig. 2: Mounting dimensions

## 7 Installation

- Mount the product according to the required degree of protection.
- Maximum ambient temperature range of -20°C...55°C.
- A housing type 1, 12 or 4X with a flat surface is required for protection class IP67. This requires the correct alignment of the seal and observance of the instructions for use.

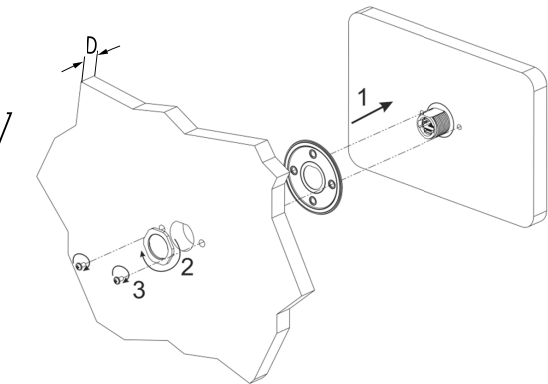
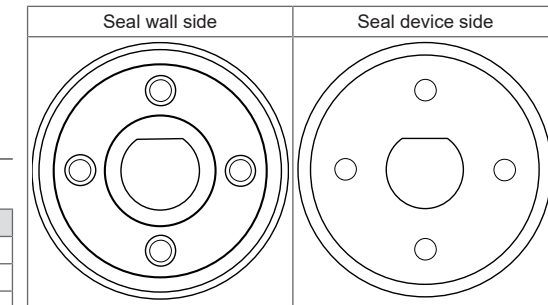


Fig. 3: Monitor mounting

- 1 Push on seal. Observe direction.
- 2 Put the monitor through the mounting wall and secure it with the nut. Tightening torque 10 Nm.
- 3 Tighten M5 screws. Observe thread depth. Tightening torque 1.3 Nm.
- D Max. 3 mm for IP67 with connection cable 00C6FX1-Cxxx.  
Max. 10 mm with standard Ethernet cable.

## 8 Connection

The device is supplied via the Ethernet interface.

The following table describes the maximum power consumption and the voltage supply required for it:

	Rated input power	Voltage supply
C6 X1-07	12 W	IEEE 802.3af PoE
C6 X1-10	14 W	IEEE 802.3at PoE+
C6 X1-15	23 W	IEEE 802.3at PoE+
C6 X1-21	35 W	IEEE 802.3bt PoE++

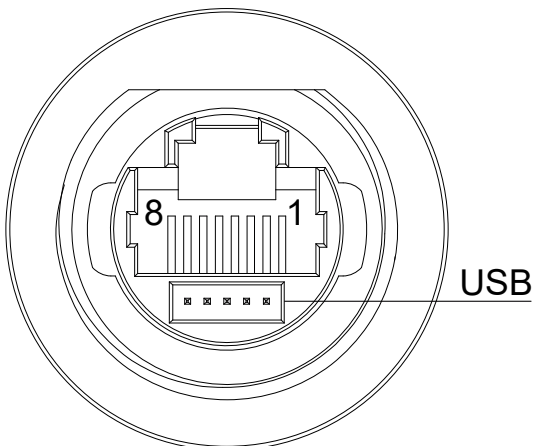


Fig. 4: Connection description

1 TX+	2 TX-
3 RX+	4 not assigned
5 not assigned	6 RX-
7 not assigned	8 not assigned

Required connection cable: CAT 5 or higher. USB connection when using connection cable 00C6FX1-C200.

### Earthing

The functional earth is connected via a shielded CAT 5 cable. The functional earth reduces the effects of electromagnetic interference to the control unit.

The earth connection can also be made using the screws next to the connection socket. The screws can be identified by an imprint on the device.

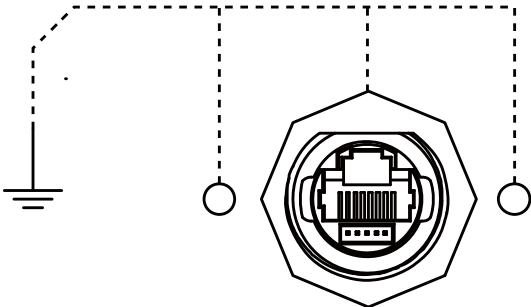


Fig. 5: Monitor earthing

All electronic devices in the control cabinet must be properly earthed. Earthing must be carried out in accordance with the applicable regulations.

## 9 Operation

With the 21" monitor, local colour changes may occur in certain frequency ranges during operation due to vibrations in certain frequency ranges. This does not restrict the readability of fonts. This is only temporary and does not represent a product defect.

## 10 Antenna position

The device operates in the frequency range WiFi 2.4 GHz. The antenna is located in the marked position behind the front panel.

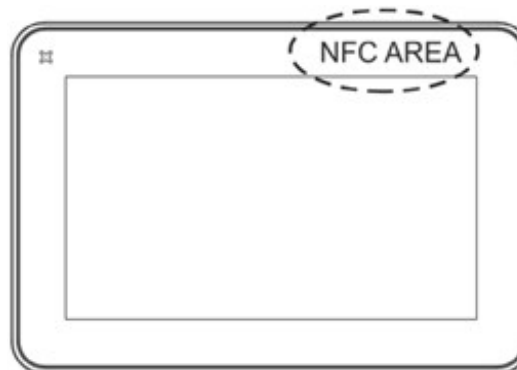


Fig. 6: Position of the antennas

## 11 Certification

### 11.1 CE certification

**CE** KEB products meet the requirements of the valid European and national directives. The conformity has been proven. The corresponding declarations can be downloaded from our website by entering the material number in the search field.

### 11.2 UL certification

**UL** Notes on conformity for use in the North American or Canadian market.

THIS EQUIPMENT IS TYPE 12, 4X AND 1 DEVICE AND IS MEANT TO BE INSTALLED THROUGH THE WALL OF AN ENCLOSURE SUITABLE FOR THE ENVIRONMENT SUCH THAT THE EQUIPMENT IS ONLY ACCESSIBLE WITH THE USE OF A TOOL.

CET APPAREIL EST UN APPAREIL DE TYPE 12, 4X ET 1 ET IL EST NÉCESSAIRE DE L'INSTALLER DANS LE MUR D'UN ENCEINTE ADAPTÉ À L'ENVIRONNEMENT, DE SORTE QUE L'APPAREIL N'EST ACCESSIBLE À L'UTILISATION D'UN OUTIL.

## 12 Disposal

For professional disposal, follow the instructions in the instructions for use.

## 13 Other languages



[www.keb-automation.com/search](http://www.keb-automation.com/search)

BG	Други налични езици.	HR	Ostali dostupni jezici.
CN	其他语言可用。	HU	Más elérhető nyelvek.
CZ	Jiné jazyky k dispozici.	LV	Citas pieejamās valodas.
DK	Andre sprog til rådighed.	LT	Kitos kalbos.
DE	Weiteren Sprachen verfügbar.	MT	Lingwi oħra disponibbli.
EN	Other languages available.	NL	Andere talen beschikbaar.
EE	Muud keeled on saadaval.	PL	Inne dostępne języki.
ES	Otros idiomas disponibles.	PT	Outros idiomas disponíveis.
FI	Muut kielet saatavilla.	RO	Alte limbi disponibile.
FR	Autres langues disponibles.	RU	Доступны другие языки.
GR	Άλλες διαθέσιμες γλώσσες.	SE	Andra språk finns tillgängliga.
IE	Teangacha eile ar fáil.	SK	Iné jazyky sú k dispozícii.
IT	Altre lingue disponibili.	SI	Drugi jeziki so na voljo.
JP	他の言語も利用できます。	TR	Mevcut diğer diller.
KR	다른 언어도 사용할 수 있습니다.		